



Chipsmall Limited consists of a professional team with an average of over 10 year of expertise in the distribution of electronic components. Based in Hongkong, we have already established firm and mutual-benefit business relationships with customers from,Europe,America and south Asia,supplying obsolete and hard-to-find components to meet their specific needs.

With the principle of “Quality Parts,Customers Priority,Honest Operation,and Considerate Service”,our business mainly focus on the distribution of electronic components. Line cards we deal with include Microchip,ALPS,ROHM,Xilinx,Pulse,ON,Everlight and Freescale. Main products comprise IC,Modules,Potentiometer,IC Socket,Relay,Connector.Our parts cover such applications as commercial,industrial, and automotives areas.

We are looking forward to setting up business relationship with you and hope to provide you with the best service and solution. Let us make a better world for our industry!



## Contact us

Tel: +86-755-8981 8866 Fax: +86-755-8427 6832

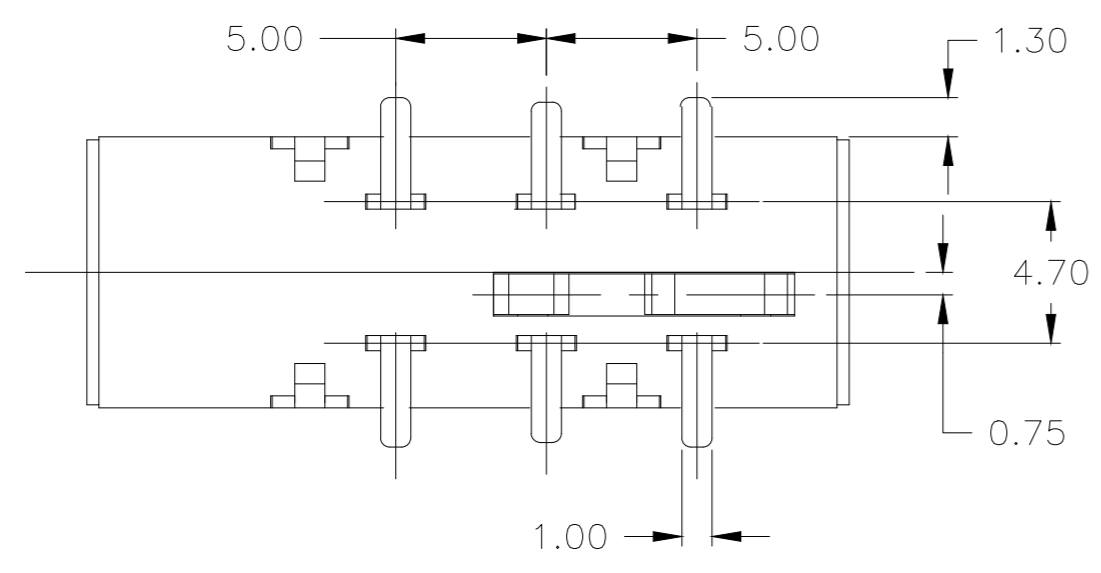
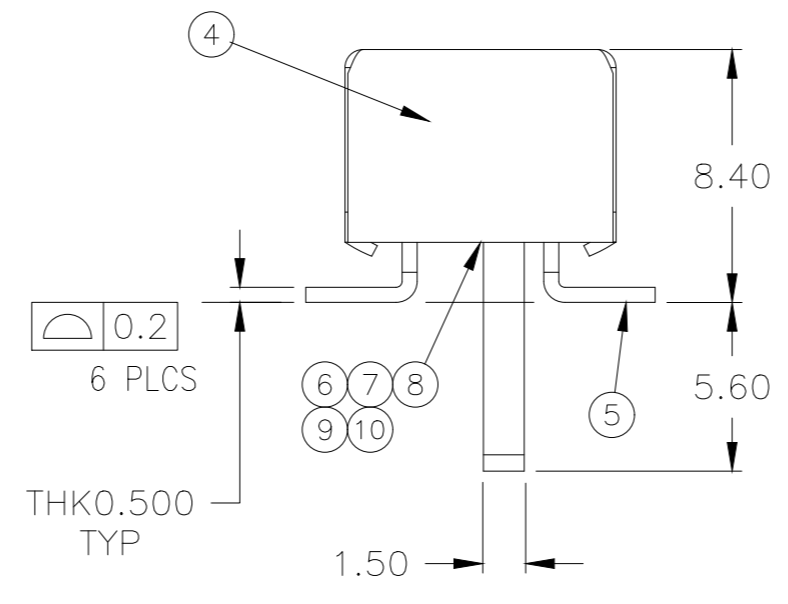
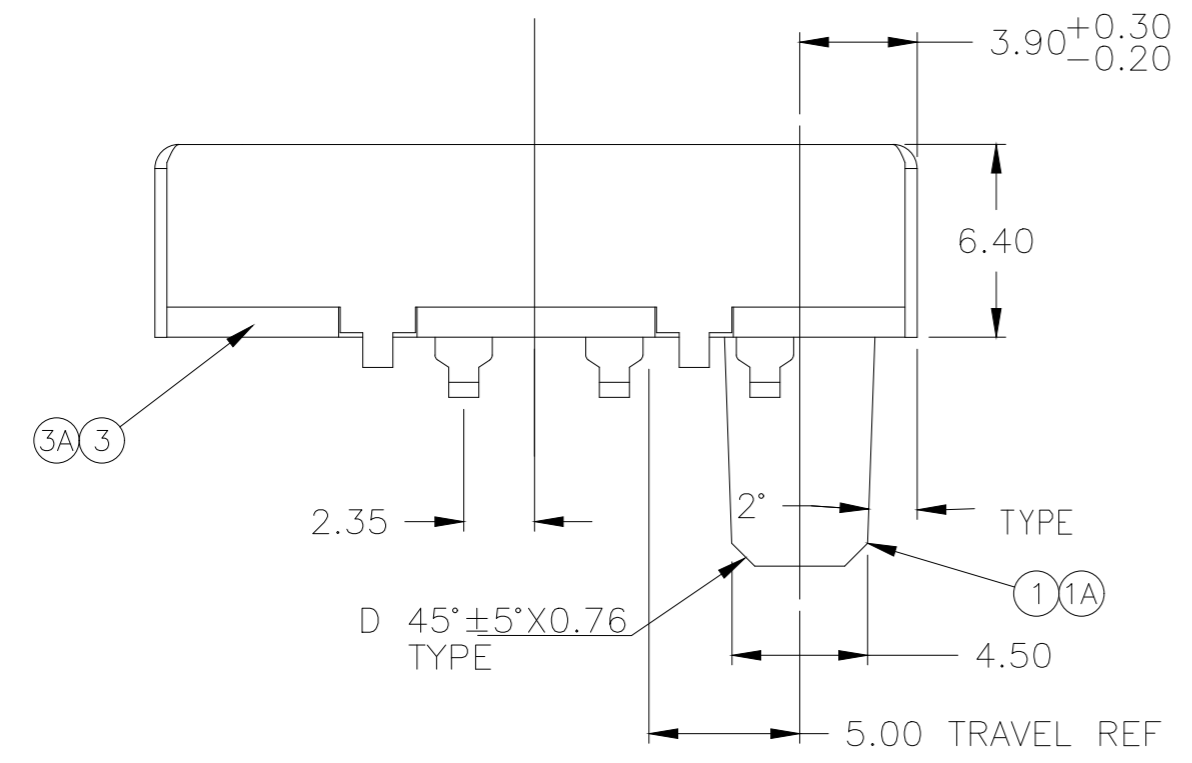
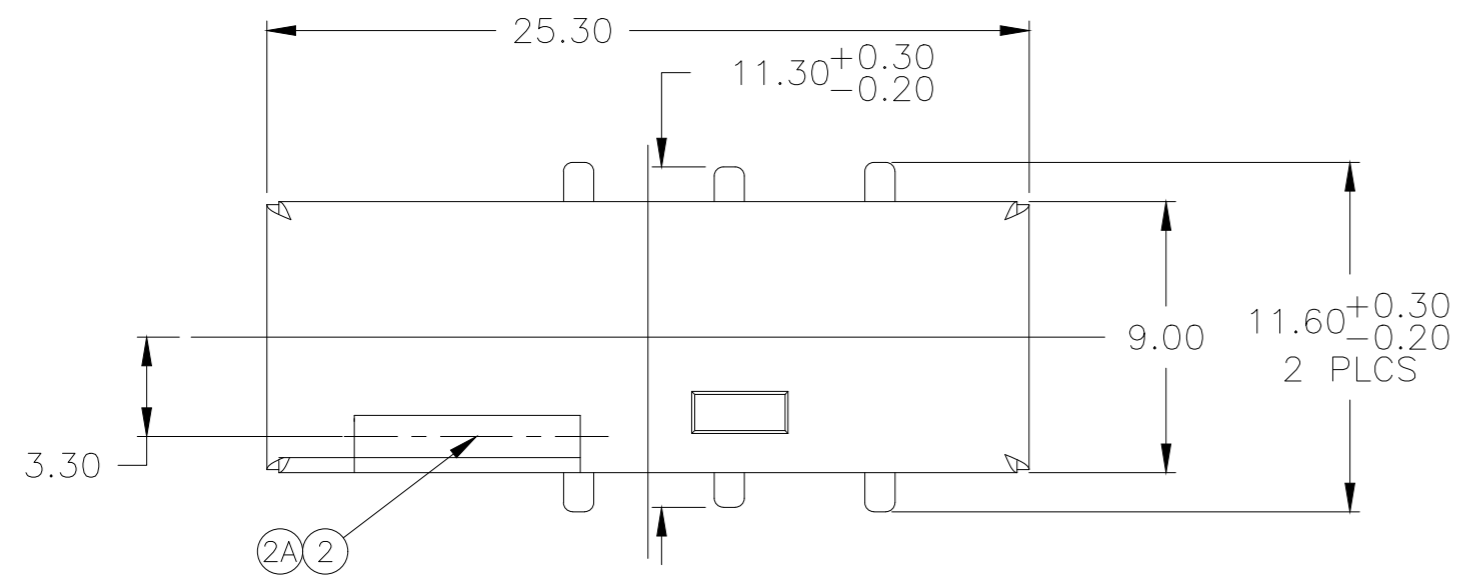
Email & Skype: info@chipsmall.com Web: www.chipsmall.com

Address: A1208, Overseas Decoration Building, #122 Zhenhua RD., Futian, Shenzhen, China



THIS DRAWING IS UNPUBLISHED. RELEASED FOR PUBLICATION  
 © COPYRIGHT - By - ALL RIGHTS RESERVED.

REVISIONS				
P	LTR	DESCRIPTION	DATE	DWN APVD
J		REVISED PER ECO-17-007607	29MAY2017	RK AS



**SPECIFICATIONS:**  
 SINGLE POLE DOUBLE THROW

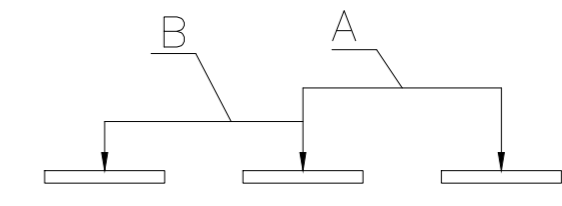
**ELECTRICAL:**  
 CONTACT RATING, 24VAC AT 0.5 AMP (POWER FACTOR 0.4) AND INRUSH CURRENT OF 2.5 AMP (POWER FACTOR 0.4)  
 CONTACT RESISTANCE, 30 MILLIOHMS MAX  
 INSULATION RESISTANCE, 500 MEGOHM MIN  
 DIELECTRIC STRENGTH, 500 V RMS@ SEA LEVEL  
 LIFE EXPECTANCY, 2,000 CYCLES

**ENVIRONMENTAL:**  
 OPERATING TEMPERATURE, -20 TO +85° C  
 STORAGE TEMPERATURE, -20 TO +85° C  
 RESISTANCE TO SOLDER HEAT, PER 109-201, CONDITION A  
 OMIT SECTION 3.3  
 TIME OVER LIQUIDUS (217°C) 20 SECONDS MAX  
 PEAK TEMPERATURE 225°±5°C

1. ALL MATERIALS AND FINISHES SHALL COMPLY WITH EU DIRECTIVE 2002/95/EC OF 27JAN2003 (ROHS).

NOTE DELETED.

RESISTANCE TO SOLDER HEAT, PER 109-201 CONDITION B.



NON SHORTING SCHEMATIC

AR	NONE	GREASE	ACTUATOR LUBRICATION	10
-	NONE	GREASE	CONTACT LUBRICATION	9
1	PASSIVATE	STAINLESS STEEL	SPRING PLATE	8
1	NONE	MUSIC WIRE	COIL SPRING	7
1	AG OVER NICKEL	COPPER TI	MOVING CONTACT	6
6	AG OVER NICKEL	COPPER	FIXED CONTACT/TERMINAL	5
1	NICKEL	COLD ROLLED STEEL	FRAME	4
1	BLACK	LCP UL94 V-0 30% GF	BOARD	3A
-	BLACK	PA66 UL 94HB, 15% GF	BOARD	3
1	BLACK	LCP UL94 V-0 30% GF	ACTUATOR II	2A
-	BLACK	PA66 UL 94HB, 15% GF	ACTUATOR II	2
1	BLACK	LCP UL94 V-0 30% GF	ACTUATOR	1A
-	BLACK	PA66 UL 94HB, 15% GF	ACTUATOR	1
-4	FINISH	MATERIAL	PART DESCRIPTION	ITEM NO.

	TAPE & REEL	N/A	1977143-4
SOLDER HEAT	PACKAGING	INSPECTION STATUS	PART NUMBER

THIS DRAWING IS A CONTROLLED DOCUMENT.		DWN M.BINNER	04SEP2007	TE Connectivity	
DIMENSIONS: mm		CHK M.SARVER	APVD		
TOLERANCES UNLESS OTHERWISE SPECIFIED:		PRODUCT SPEC		SLIDE SWITCH, SPDT, SMT	
0 PLC ± - 1 PLC ± - 2 PLC ± 0.20 3 PLC ± 0.05 4 PLC ± - ANGLES ± 3°		APPLICATION SPEC		SIZE	CAGE CODE
MATERIAL		WEIGHT		DRAWING NO	
-		0		A2 00779 C=1977143	
		CUSTOMER DRAWING		SCALE	SHEET
				4:1	1 of 2
				REV	J

4

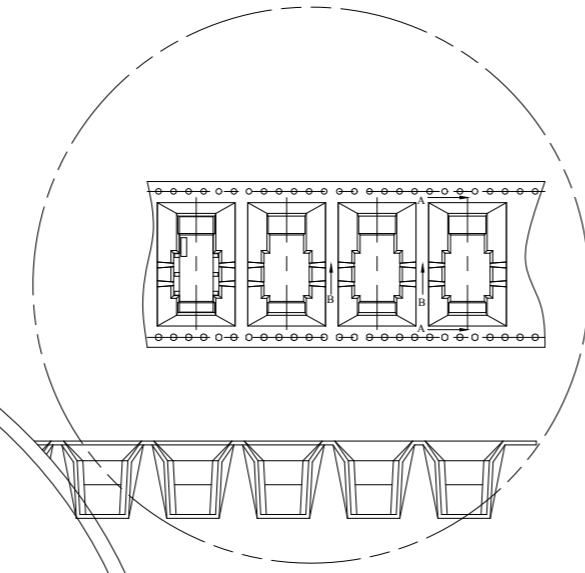
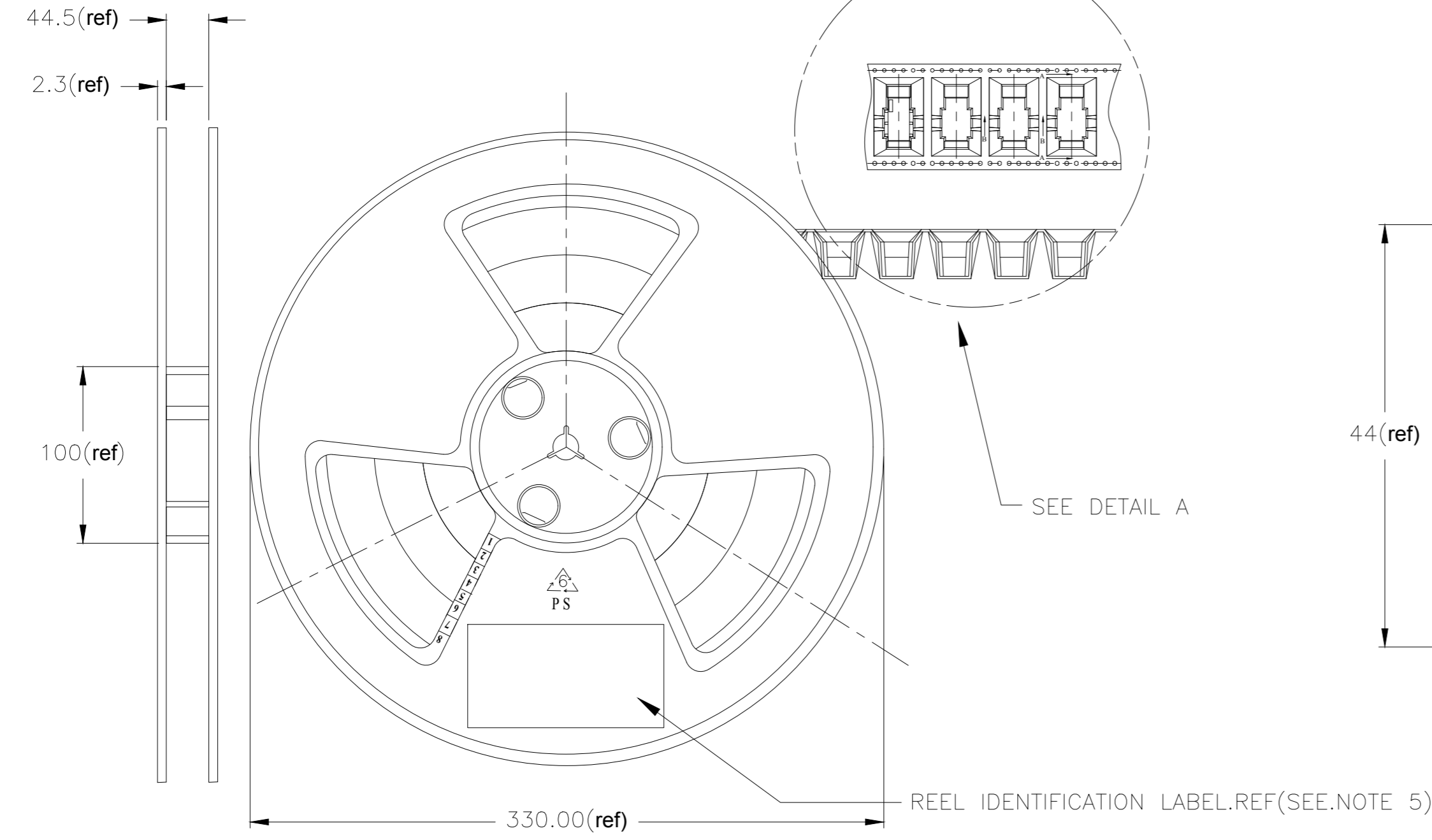
3

2

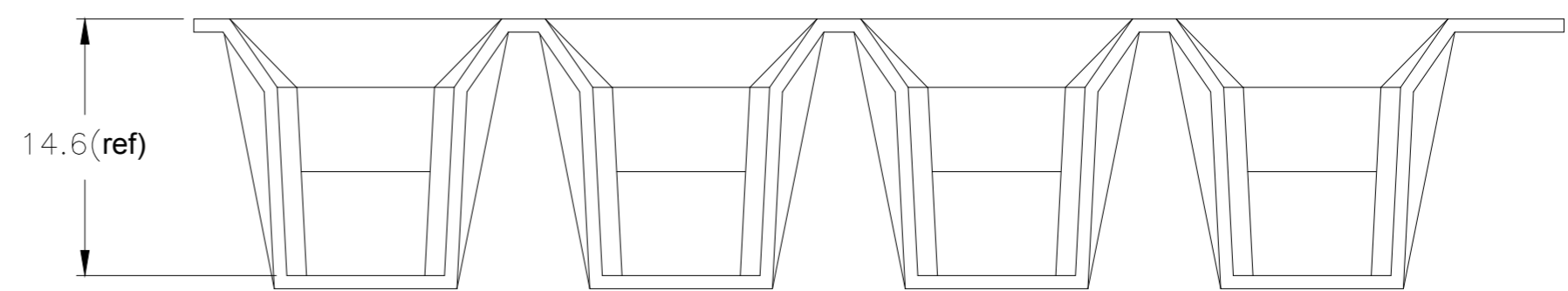
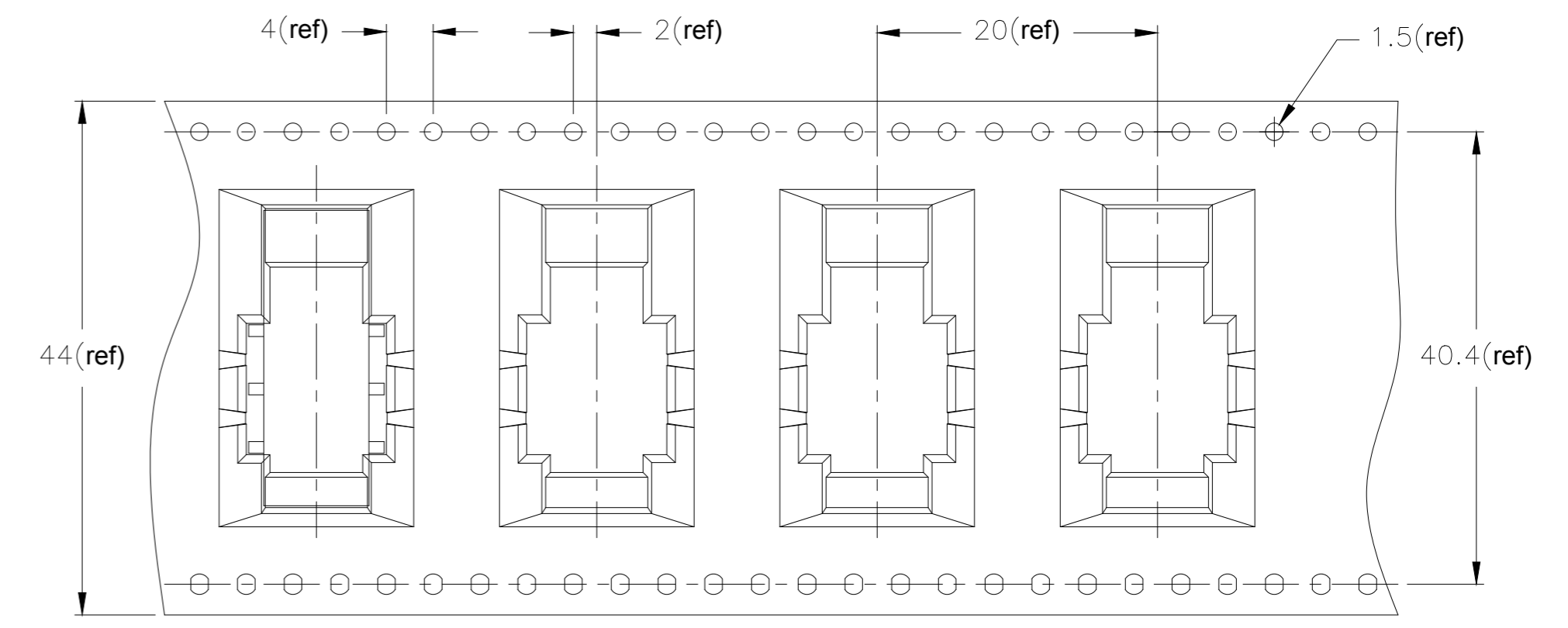
1

THIS DRAWING IS UNPUBLISHED. RELEASED FOR PUBLICATION  
 © COPYRIGHT - By - ALL RIGHTS RESERVED.

REVISIONS					
P	LTR	DESCRIPTION	DATE	DWN	APVD
-	-	SEE SHEET 1	-	-	-



SEE DETAIL A



SEE DETAIL A  
4:1

NOTES

1. TAPE, REEL, AND TAPING SHALL MEET THE REQUIREMENTS OF EIA-481-2.
2. EMBOSSED TAPE SHALL BE CONDUCTIVE TYPE.
3. FOR PART ORIENTATION IN TAPE SEE DETAIL A.
4. REEL SHALL CONTAIN 200 PIECES SWITCH
5. REEL IDENTIFICATION LABEL SHALL BE PRINTED WITH REEL:  
 TYCO ELECTRONICS  
 P/N:1977143-3 & -4  
 QTY:200PCS  
 DATE CODE:XXXX

THIS DRAWING IS A CONTROLLED DOCUMENT.		DWN M.BINNER	04SEP2007	TE Connectivity	
DIMENSIONS: mm		CHK M.SARVER	APVD -		
TOLERANCES UNLESS OTHERWISE SPECIFIED:		PRODUCT SPEC -		APPLICATION SPEC -	
0 PLC ± - 1 PLC ± - 2 PLC ± 0.20 3 PLC ± 0.05 4 PLC ± - ANGLES ± 3° FINISH -		WEIGHT -		SIZE A2	CAGE CODE 00779
MATERIAL -		CUSTOMER DRAWING		DRAWING NO C=1977143	RESTRICTED TO -
SCALE 4:1				SHEET 2 of 2	REV J

1977143