



Chipsmall Limited consists of a professional team with an average of over 10 year of expertise in the distribution of electronic components. Based in Hongkong, we have already established firm and mutual-benefit business relationships with customers from,Europe,America and south Asia,supplying obsolete and hard-to-find components to meet their specific needs.

With the principle of “Quality Parts,Customers Priority,Honest Operation,and Considerate Service”,our business mainly focus on the distribution of electronic components. Line cards we deal with include Microchip,ALPS,ROHM,Xilinx,Pulse,ON,Everlight and Freescale. Main products comprise IC,Modules,Potentiometer,IC Socket,Relay,Connector.Our parts cover such applications as commercial,industrial, and automotives areas.

We are looking forward to setting up business relationship with you and hope to provide you with the best service and solution. Let us make a better world for our industry!



Contact us

Tel: +86-755-8981 8866 Fax: +86-755-8427 6832

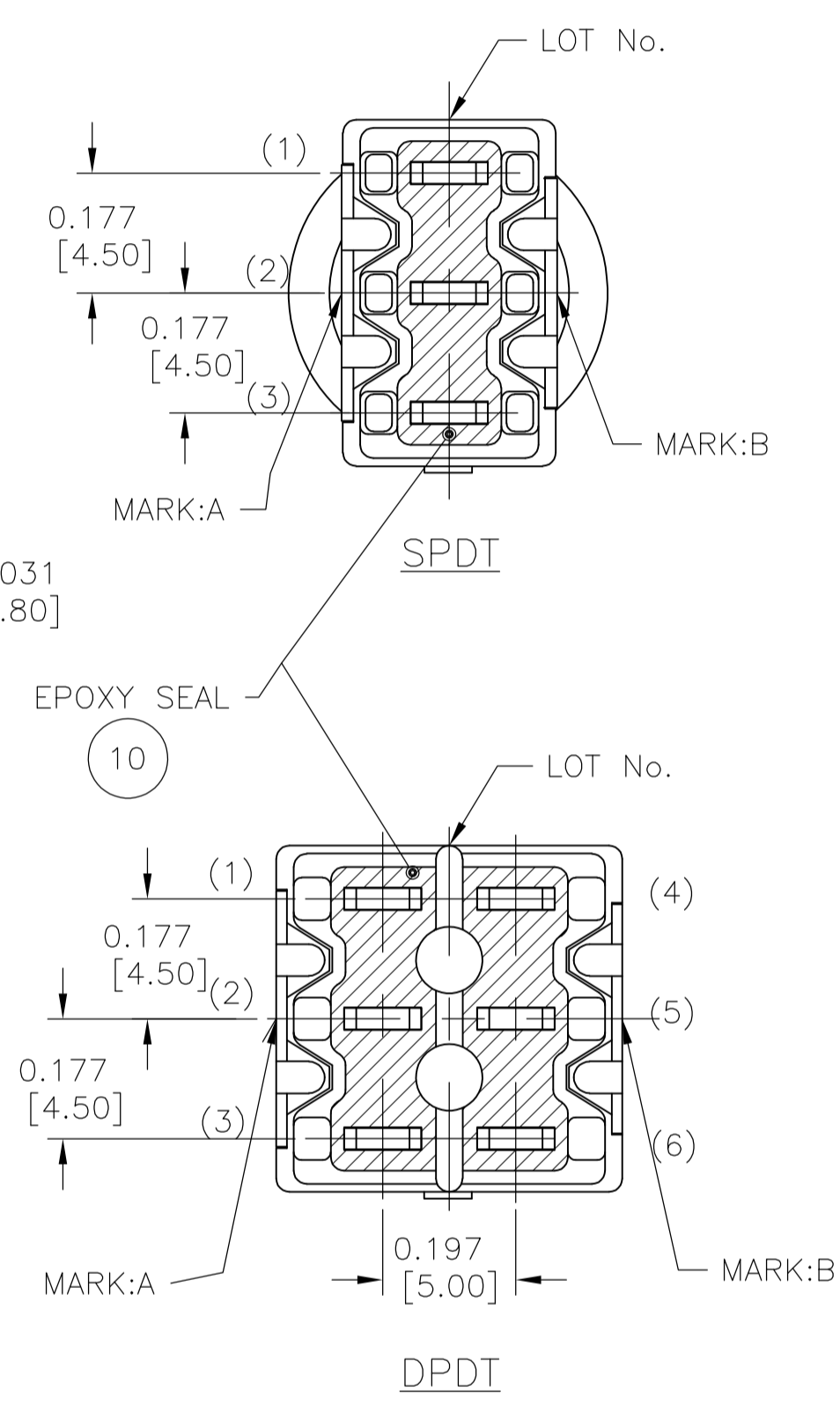
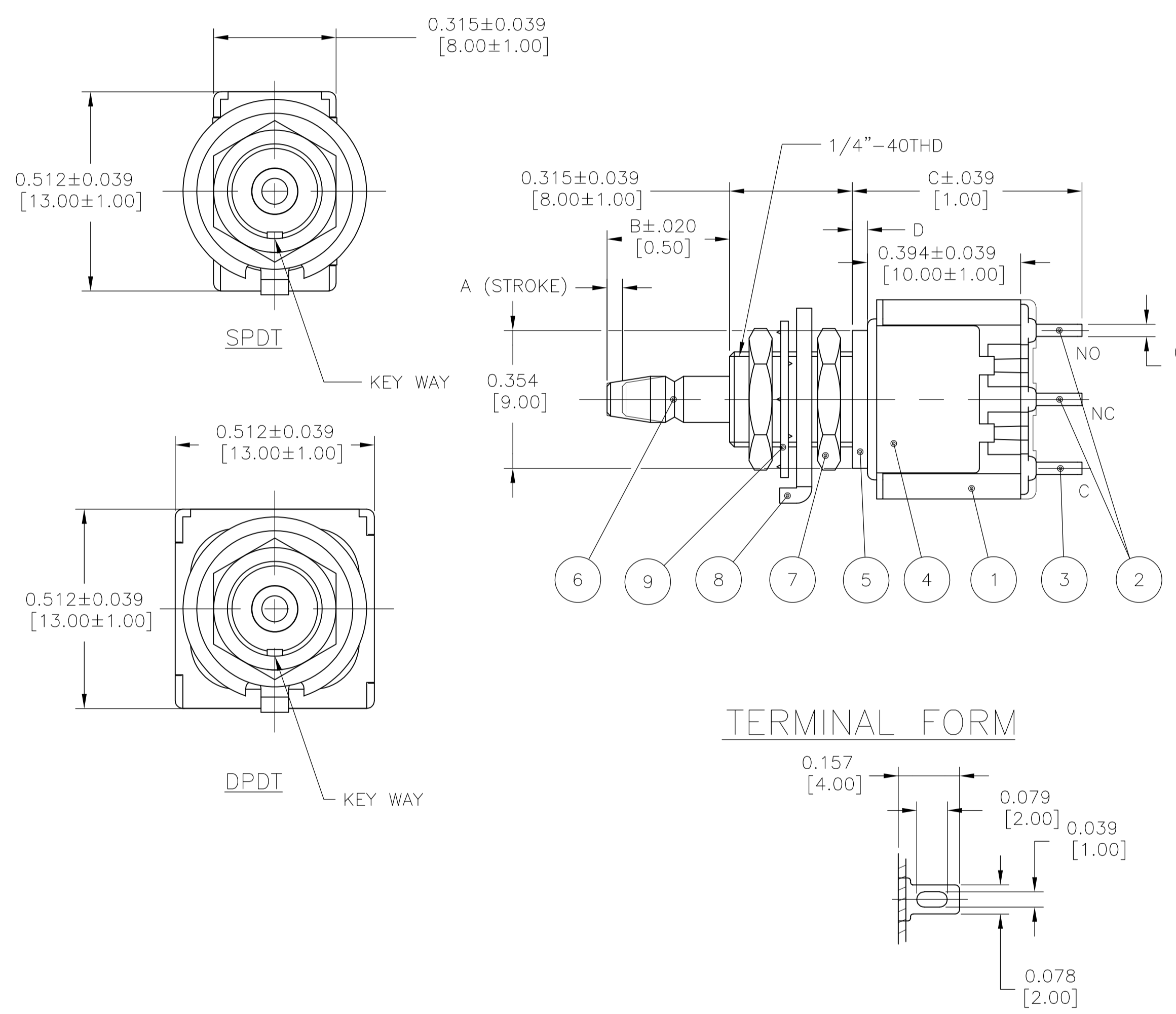
Email & Skype: info@chipsmall.com Web: www.chipsmall.com

Address: A1208, Overseas Decoration Building, #122 Zhenhua RD., Futian, Shenzhen, China



	OPERATING FORCE	DIMENSION				PART NUMBER	TYPE	MARK		ALCO	ACTUATED
		A	B	C	D			MARK:A	MARK:B		
		.098 [2.5]	.331 [8.4]	.650 [16.5]	.098 [2.5]	1977737-1 MPS1004D	SPDT	MPS1004D ALCO	DC 60mA 30V ON ON C	3-2	3-1
MOMENTARY	ON-(ON)	.039 [1]	.315 [8]	.591 [15]	.039 [1]	1977737-2 MPS1004F		MPS1004F ALCO	DC 60mA 30V NO NC C		(3)-(1)
		.098 [2.5]	.331 [8.4]	.650 [16.5]	.098 [2.5]	1977737-3 MPS2004N	DPDT	MPS2004N ALCO	DC 60mA 30V ON ON C	3-2 6-5	3-1 6-4
MOMENTARY	ON-(ON)	.039 [1]	.315 [8]	.591 [15]	.039 [1]	1977737-4 MPS2004R		MPS2004R ALCO	DC 60mA 30V NO NC C		

NOTE: TERMINALS 4,5,6 ARE FOUND ONLY ON DP VERSIONS (-3, -4)



SPECIFICATIONS:

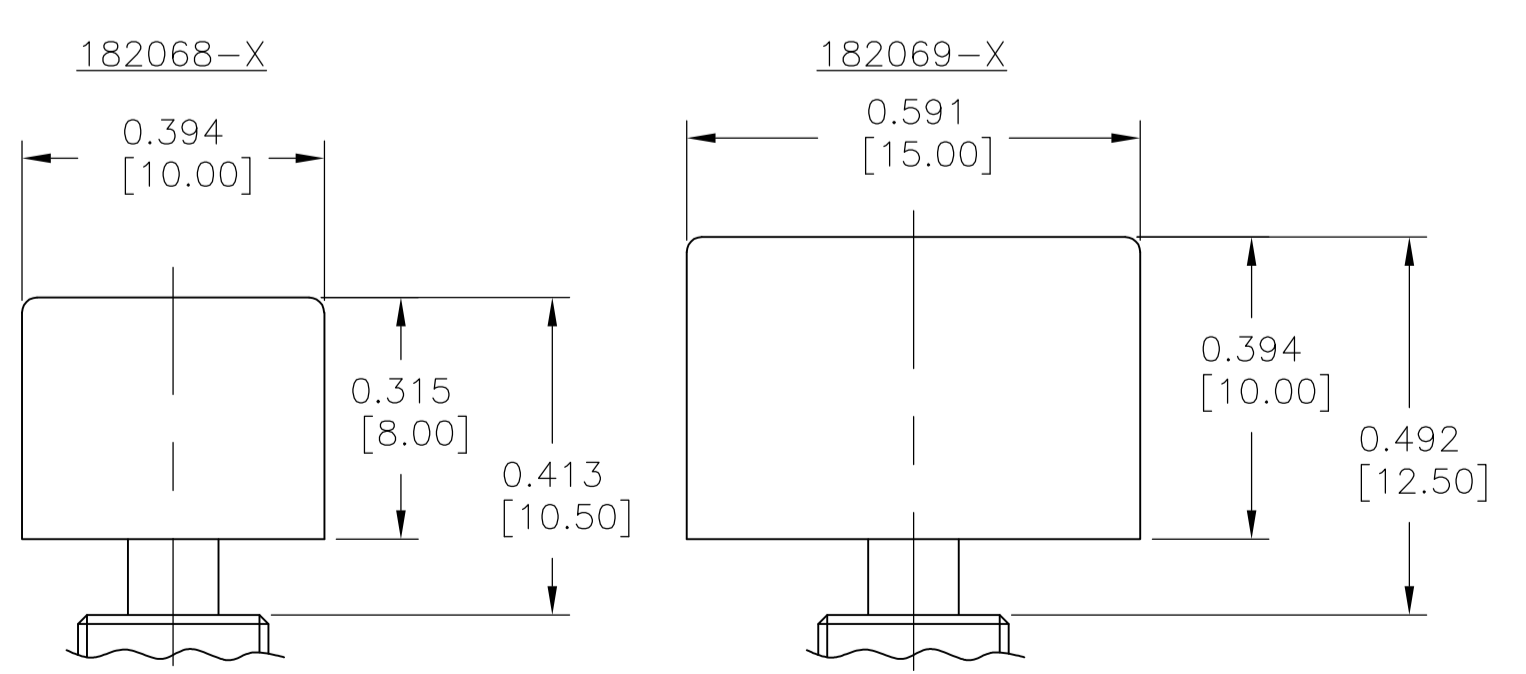
- RATING: MIN, 1µa 20mV DC, MAX, 60mA 30V DC (RESISTIVE LOAD)
- INITIAL CONTACT RESISTANCE: 20mΩ MAX. AT 5mA 0.2V AC.
- INITIAL INSULATION RESISTANCE: 1,000MΩ MIN. AT 500V DC.(BETWEEN TERMINALS AND TERMINAL-GROUND)
- INITIAL DIELECTRIC STRENGTH: 1,000V AC FOR 1 MINUTE.(BETWEEN TERMINALS AND TERMINAL-GROUND)
- DURABILITY: 50,000 CYCLES

OPERATING FORCE:

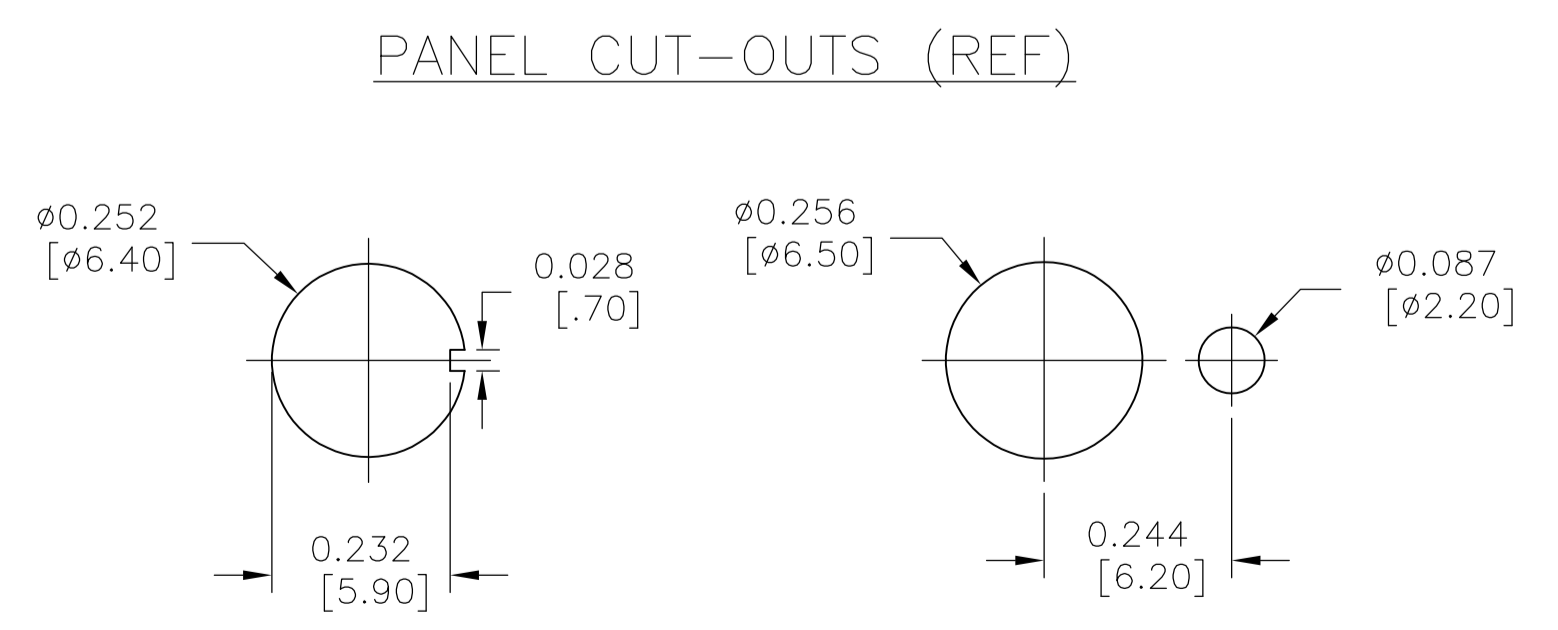
- △6 3.92±1.96N (400±200gf)
- △7 4.9±2.94N (500±300gf)
- △8 2.94±0.98N (300±100gf)
- △9 4.9±1.96N (500±200gf)

- 10 OPERATING TEMP: -20 ~ +85°C
- STORAGE TEMP: -40 ~ +85°C

11 ALL MATERIALS AND FINISHES SHALL COMPLY WITH EU DIRECTIVE 2002/95/EC OF 27JAN2003 (ROHS)



BUTTON CAP
 SOLD SEPARATELY
 SEE DRAWINGS 1825068 (ø.394 [10 MM]) &
 1825069 (ø.591 [15 MM])
 FOR COLOR CHOICES



PANEL CUT-OUTS (REF)
 WITHOUT LOCKING RING
 MAXIMUM PANEL THICKNESS:
 .118 [3.0mm]
 WITH STANDARD LOCKING RING
 MAXIMUM PANEL THICKNESS:
 .079 [2mm]

A/R	A/R	BLUE	-	EPOXY	10
1	1	ZINC PLATE	CARBON TOOL STEEL	TOOTH WASHER	9
1	1	ZINC PLATE	COLD ROLLED STEEL	LOCATING RING	8
2	2	NICKEL PLATE	BRASS	PLUNGER	7
1	1	NICKEL PLATE	BRASS	PLUNGER	6
1	1	-	STAINLESS STEEL	FRAME	4
2	1	GOLD PLATE	BRASS	COMMON TERMINAL	3
4	2	GOLD PLATE	BRASS	FIXED CONTACT	2
1	1	(BLUE)	EPOXY RESIN, UL94V-0	CASE	1
2	1	FINISH (COLOR)	MATERIALS	PARTS	NO
POLES	POLE				
QTY					

THIS DRAWING IS A CONTROLLED DOCUMENT. **DIN** RAGHAVENDRA 28JAN11 **Tyco Electronics** Tyco Electronics Corporation
 HARRISBURG, PA 17105-3608

CHK EPPLEY NAZ 28JAN11
APPV EPPLEY NAZ 28JAN11

DIMENSIONS: INCHES [MM] **TOLERANCES UNLESS OTHERWISE SPECIFIED:**

0. PLC	±	-
1. PLC	±	-
2. PLC	±	-
3. PLC	±	0.10 [0.25]
4. PLC	±	-
ANGLES	±	-

PRODUCT SPEC MPS SERIES PUSHBUTTON, DRY CIRCUIT
 MPS1004 (SPDT) & MPS2004 (DPDT) SERIES
 WIRE LUG TERMINATION

APPLICATION SPEC SIZE: A1 CAGE CODE: 00779 DRAWING NO: 1977737

MATERIAL FINISH WEIGHT SCALE: 4:1 SHEET 1 OF 1 REV B1

CUSTOMER DRAWING