



Chipsmall Limited consists of a professional team with an average of over 10 year of expertise in the distribution of electronic components. Based in Hongkong, we have already established firm and mutual-benefit business relationships with customers from,Europe,America and south Asia,supplying obsolete and hard-to-find components to meet their specific needs.

With the principle of "Quality Parts,Customers Priority,Honest Operation,and Considerate Service",our business mainly focus on the distribution of electronic components. Line cards we deal with include Microchip,ALPS,ROHM,Xilinx,Pulse,ON,Everlight and Freescale. Main products comprise IC,Modules,Potentiometer,IC Socket,Relay,Connector.Our parts cover such applications as commercial,industrial, and automotives areas.

We are looking forward to setting up business relationship with you and hope to provide you with the best service and solution. Let us make a better world for our industry!



Contact us

Tel: +86-755-8981 8866 Fax: +86-755-8427 6832

Email & Skype: info@chipsmall.com Web: www.chipsmall.com

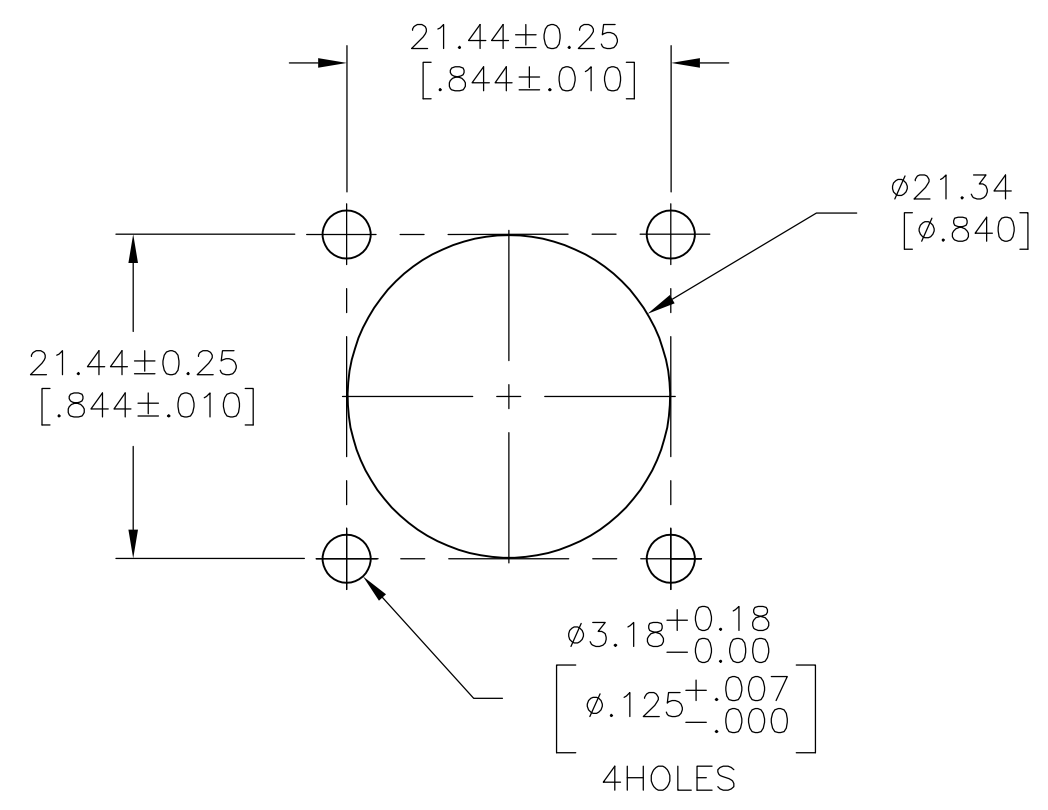
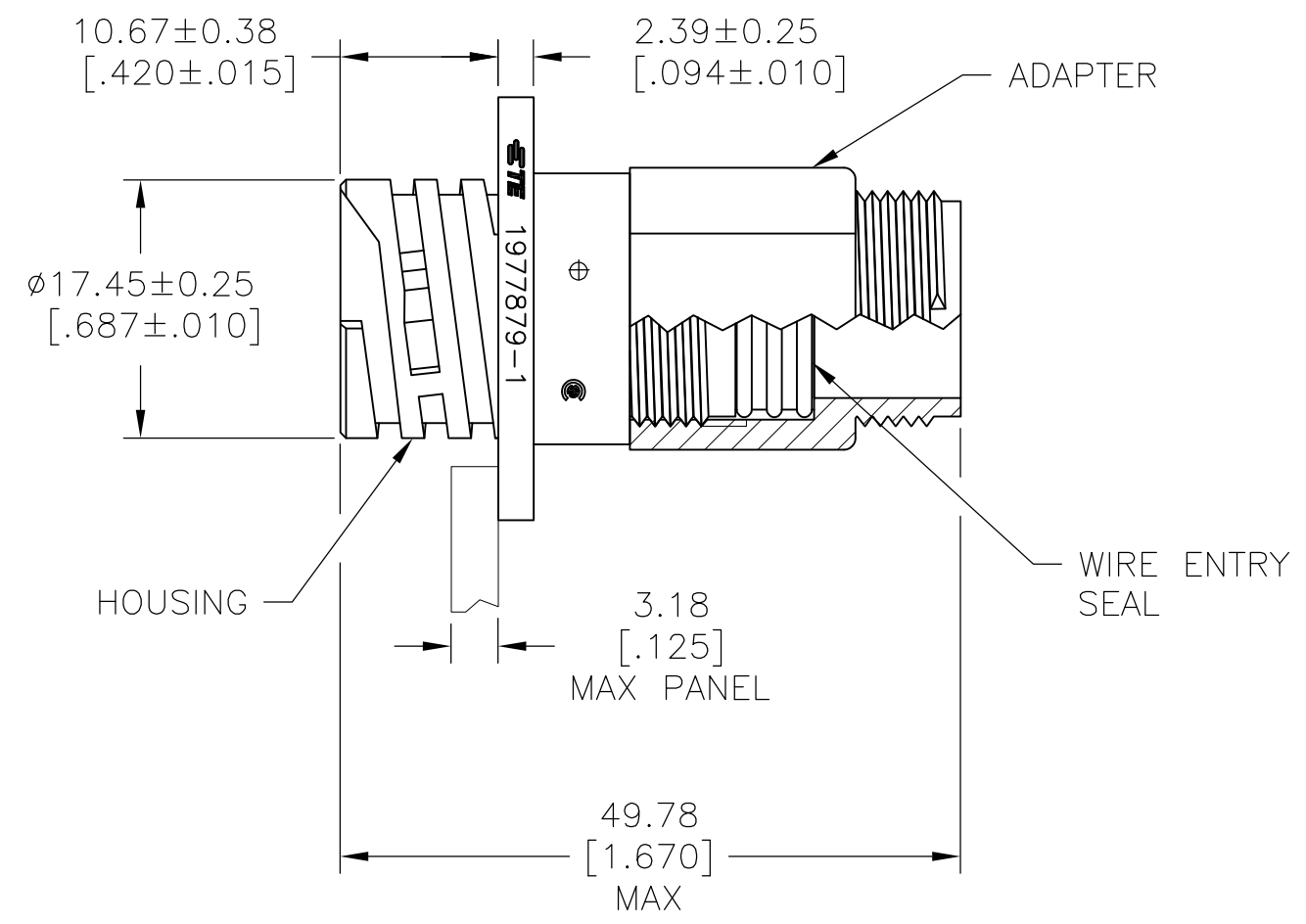
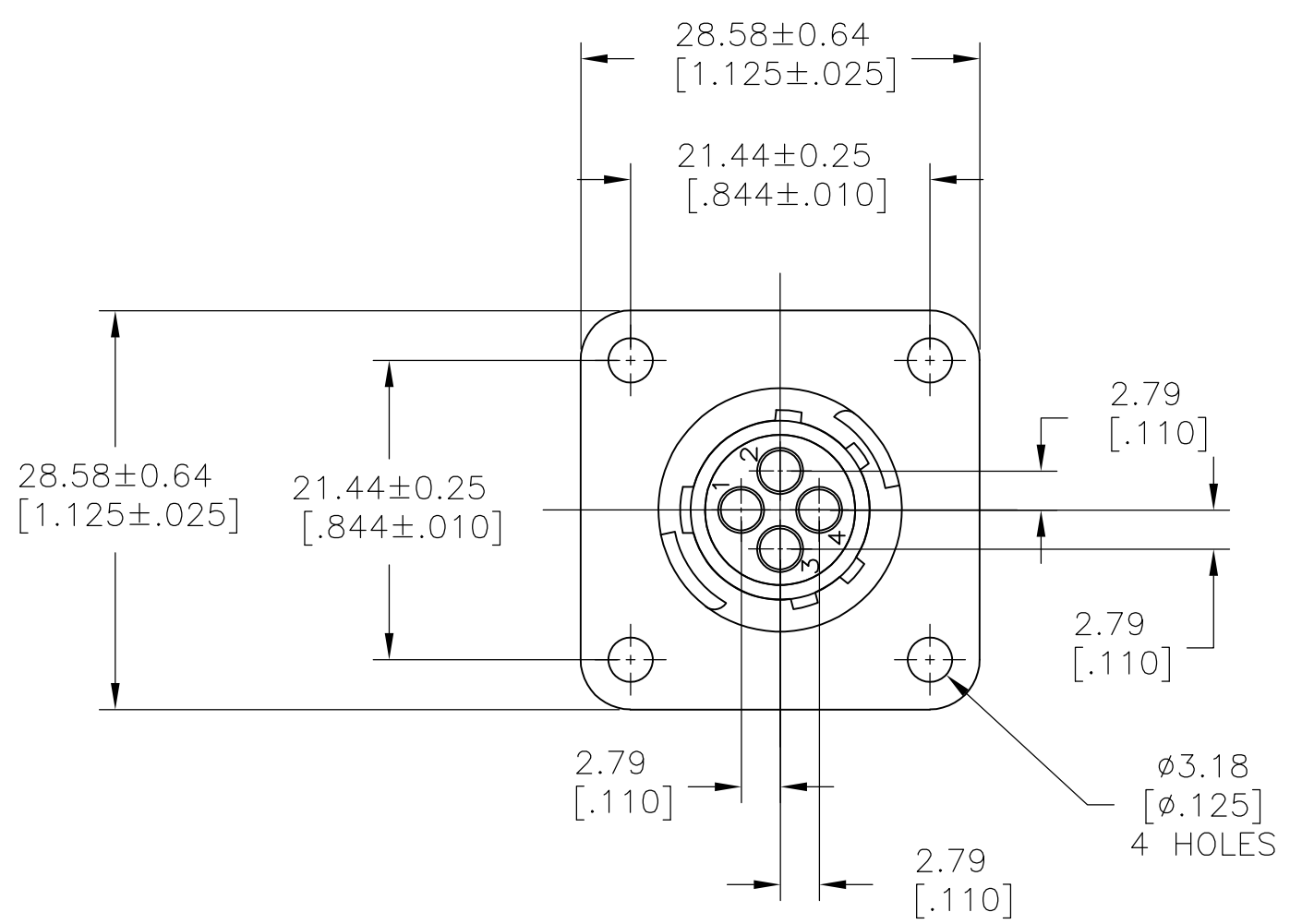
Address: A1208, Overseas Decoration Building, #122 Zhenhua RD., Futian, Shenzhen, China



THIS DRAWING IS UNPUBLISHED. RELEASED FOR PUBLICATION
 © COPYRIGHT - By - ALL RIGHTS RESERVED.

LOC	DIST	REVISIONS					
FT	0	P	LTR	DESCRIPTION	DATE	DWN	APVD
		A		NEW DRAWING PER ECO-12-018480	08NOV12	KH	MZ

- 1 HOUSING & ADAPTER: NYLON 6/6, BLACK.
WIRE ENTRY SEAL: ELASTOMER, RED.
- 2 THIS CONNECTOR WILL ACCEPT FOUR (4)
MULTIMATE SOCKET CONTACTS.



1977879-1
PART NUMBER

THIS DRAWING IS A CONTROLLED DOCUMENT.		DWN KIRAN HOLAL	08NOV12	STE TE Connectivity	
DIMENSIONS: mm [INCHES]		CHK M ZITTO	08NOV12		
TOLERANCES UNLESS OTHERWISE SPECIFIED:		APVD M ZITTO	08NOV12	NAME CPC SQUARE FLANGE RECEPTACLE ASSEMBLY, SERIES 1, SEALED, 11-4, REVERSE SEX, UV RESISTANT	
0 PLC ± -		PRODUCT SPEC		108-1579	
1 PLC ± -		APPLICATION SPEC		114-10038	
2 PLC ± 0.13 [.005]		WEIGHT		-	
3 PLC ± -		MATERIAL		A3	
4 PLC ± -		FINISH		-	
ANGLES ± -		CUSTOMER DRAWING		SCALE 2:1	
1		RESTRICTED TO		SHEET 1 OF 1	
		REV A			

RECOMMENDED PANEL CUTOUT