



Chipsmall Limited consists of a professional team with an average of over 10 year of expertise in the distribution of electronic components. Based in Hongkong, we have already established firm and mutual-benefit business relationships with customers from,Europe,America and south Asia,supplying obsolete and hard-to-find components to meet their specific needs.

With the principle of "Quality Parts,Customers Priority,Honest Operation,and Considerate Service",our business mainly focus on the distribution of electronic components. Line cards we deal with include Microchip,ALPS,ROHM,Xilinx,Pulse,ON,Everlight and Freescale. Main products comprise IC,Modules,Potentiometer,IC Socket,Relay,Connector.Our parts cover such applications as commercial,industrial, and automotives areas.

We are looking forward to setting up business relationship with you and hope to provide you with the best service and solution. Let us make a better world for our industry!



## Contact us

Tel: +86-755-8981 8866 Fax: +86-755-8427 6832

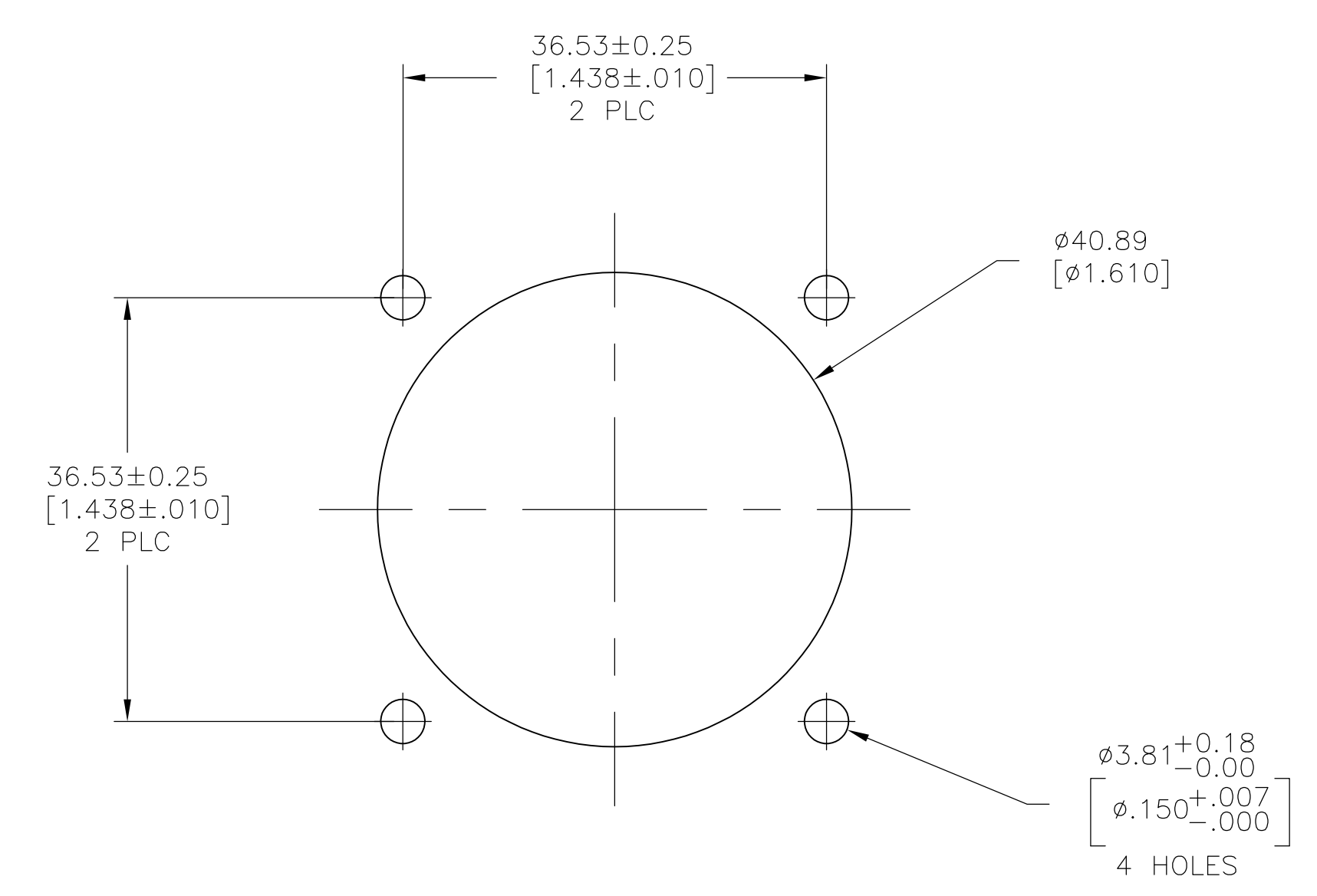
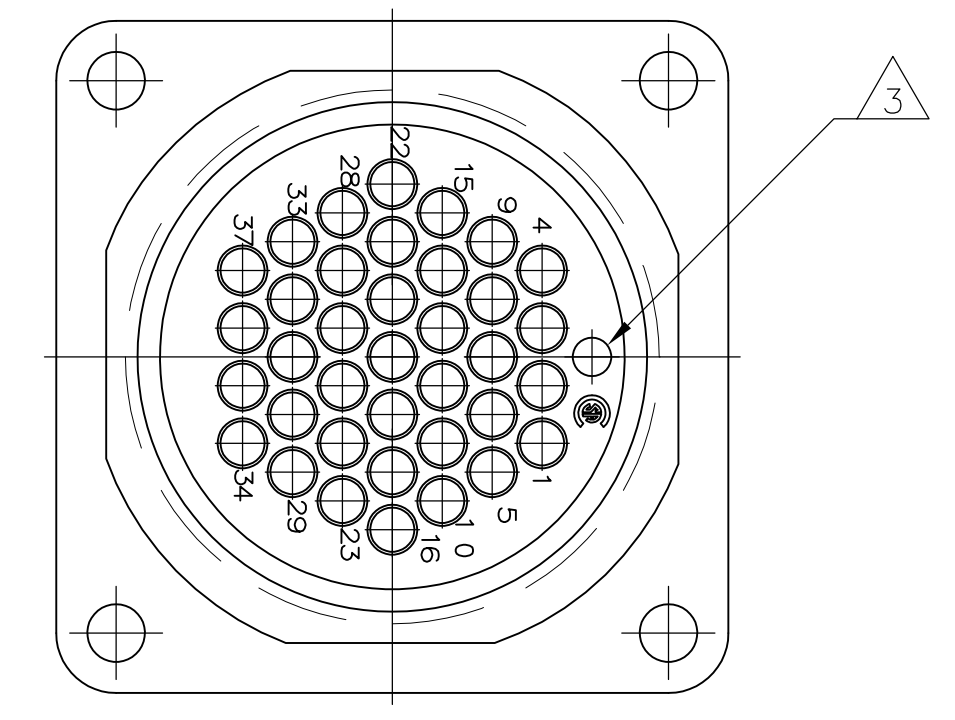
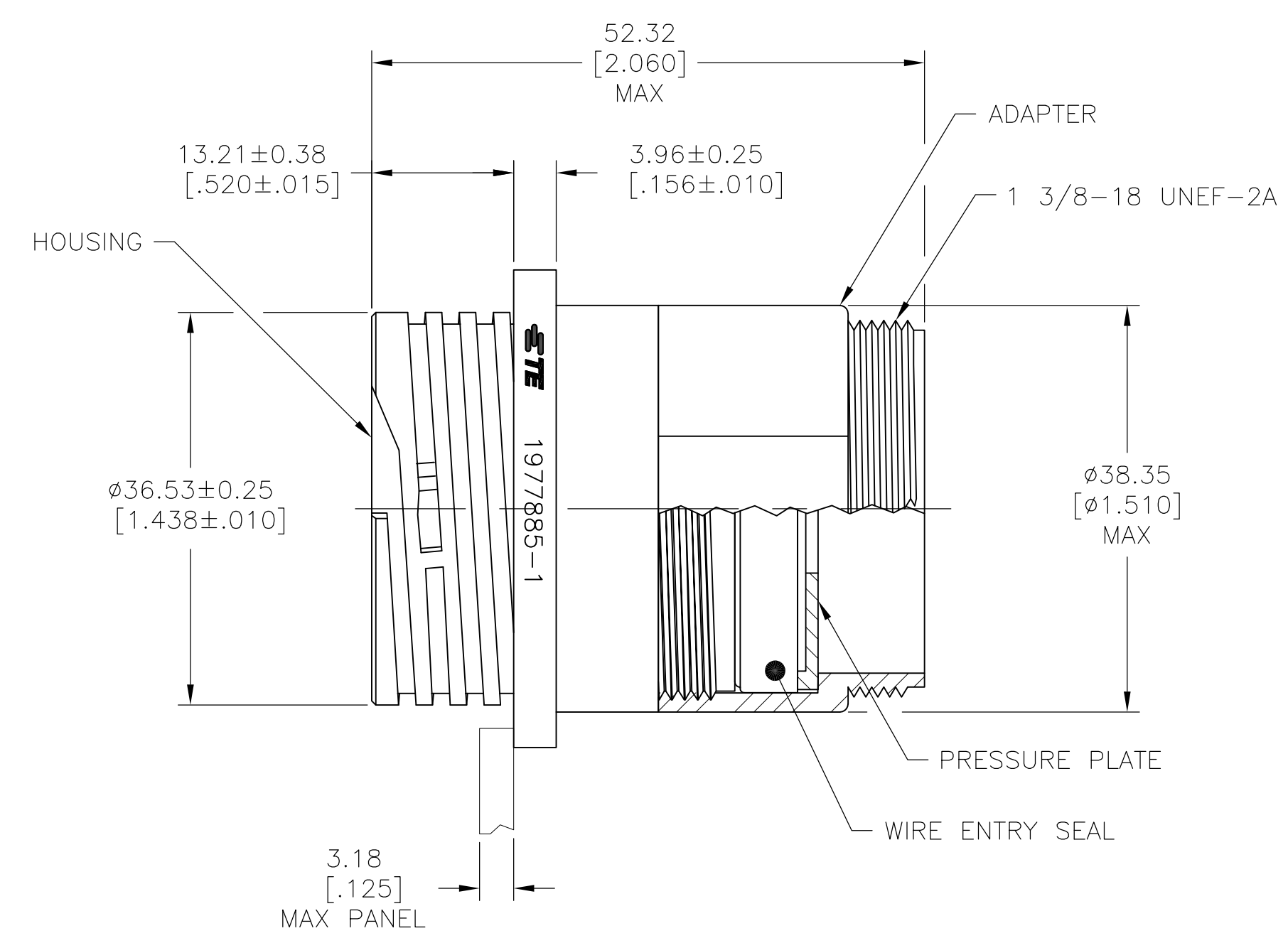
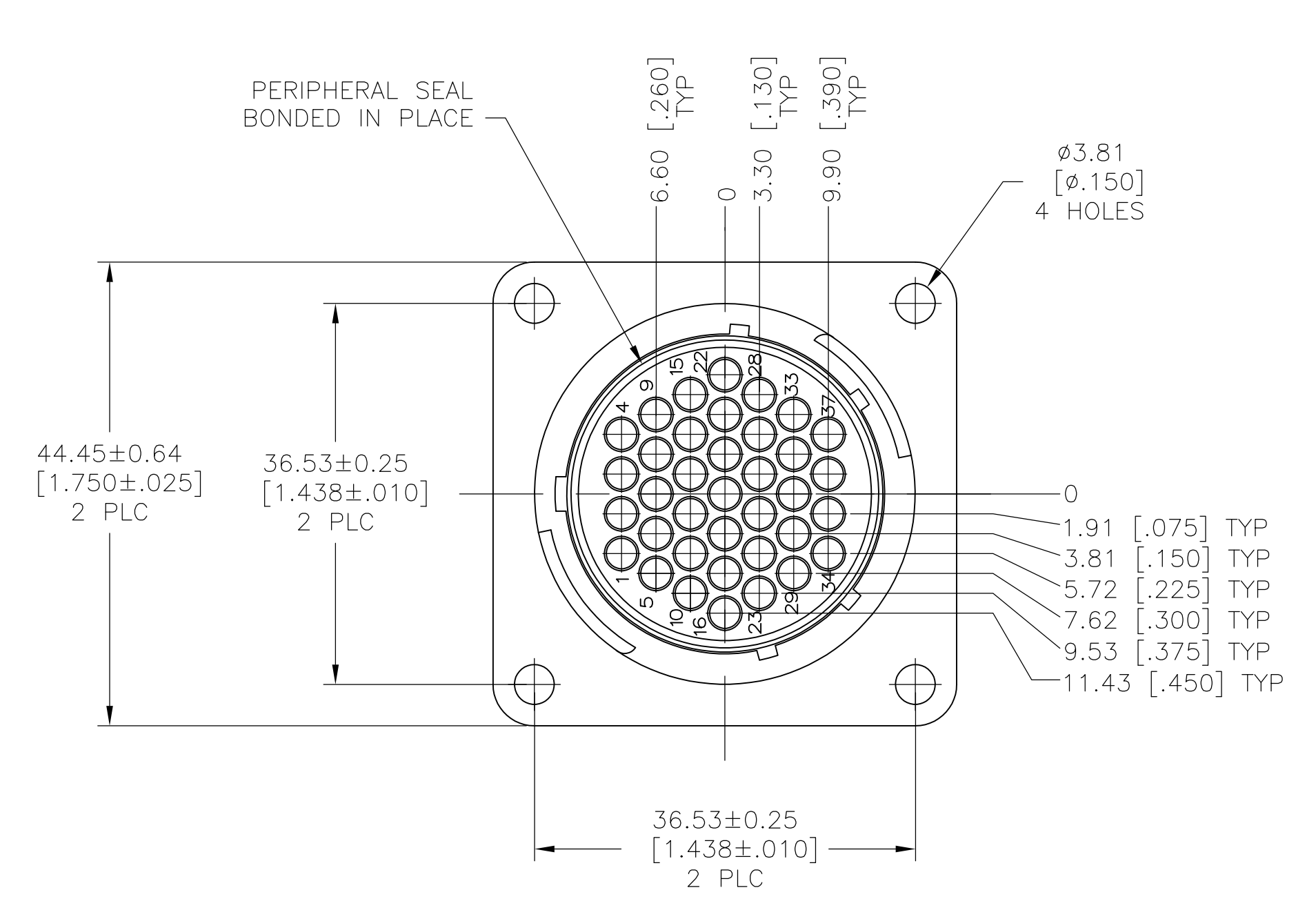
Email & Skype: info@chipsmall.com Web: www.chipsmall.com

Address: A1208, Overseas Decoration Building, #122 Zhenhua RD., Futian, Shenzhen, China



LOC		DIST		REVISIONS			
P	LTR	DESCRIPTION	DATE	DNW	APVD		
A		NEW DRAWING PER ECO-12-018480	08NOV12	KH	MZ		

- 1 ADAPTER AND HOUSING: NYLON, BLACK.  
WIRE ENTRY SEAL: ELASTOMER, RED-IRON OXIDE.  
PERIPHERAL SEAL: ELASTOMER, GREY.
- 2 CONNECTOR WILL ACCEPT (37) MULTIMATE PIN CONTACTS.
- 3 ORIENTATION HOLE USED IN THE MANUFACTURING PROCESS ONLY.  
THIS HOLE IS NOT INTENDED FOR WIRE INSERTION.



RECOMMENDED PANEL CUTOUT

1977885-1  
PART NUMBER

THIS DRAWING IS A CONTROLLED DOCUMENT.		DWG: KIRAN HOLAL 08NOV12		TE Connectivity	
DIMENSIONS: mm [INCHES]		CHK: M ZITTO 08NOV12			
TOLERANCES UNLESS OTHERWISE SPECIFIED:		APPD: M ZITTO 08NOV12		NAME: CPC SQUARE FLANGE RECEPTACLE ASSEMBLY, SERIES 1, SEALED, 23-37, STANDARD SEX, UV RESISTANT	
0 PLC ± -		PRODUCT SPEC 108-1579		SIZE: A1	
1 PLC ± -		APPLICATION SPEC		CAGE CODE: 00779	
2 PLC ± 0.13(.005)		MATERIAL: 1		DRAWING NO: 1977885	
3 PLC ± -		FINISH: -		WEIGHT: -	
4 PLC ± -		SCALE: 2:1		SHEET 1 OF 1	
ANGLES ± -		CUSTOMER DRAWING		REV: A	