



Chipsmall Limited consists of a professional team with an average of over 10 year of expertise in the distribution of electronic components. Based in Hongkong, we have already established firm and mutual-benefit business relationships with customers from,Europe,America and south Asia,supplying obsolete and hard-to-find components to meet their specific needs.

With the principle of “Quality Parts,Customers Priority,Honest Operation,and Considerate Service”,our business mainly focus on the distribution of electronic components. Line cards we deal with include Microchip,ALPS,ROHM,Xilinx,Pulse,ON,Everlight and Freescale. Main products comprise IC,Modules,Potentiometer,IC Socket,Relay,Connector.Our parts cover such applications as commercial,industrial, and automotives areas.

We are looking forward to setting up business relationship with you and hope to provide you with the best service and solution. Let us make a better world for our industry!



Contact us

Tel: +86-755-8981 8866 Fax: +86-755-8427 6832

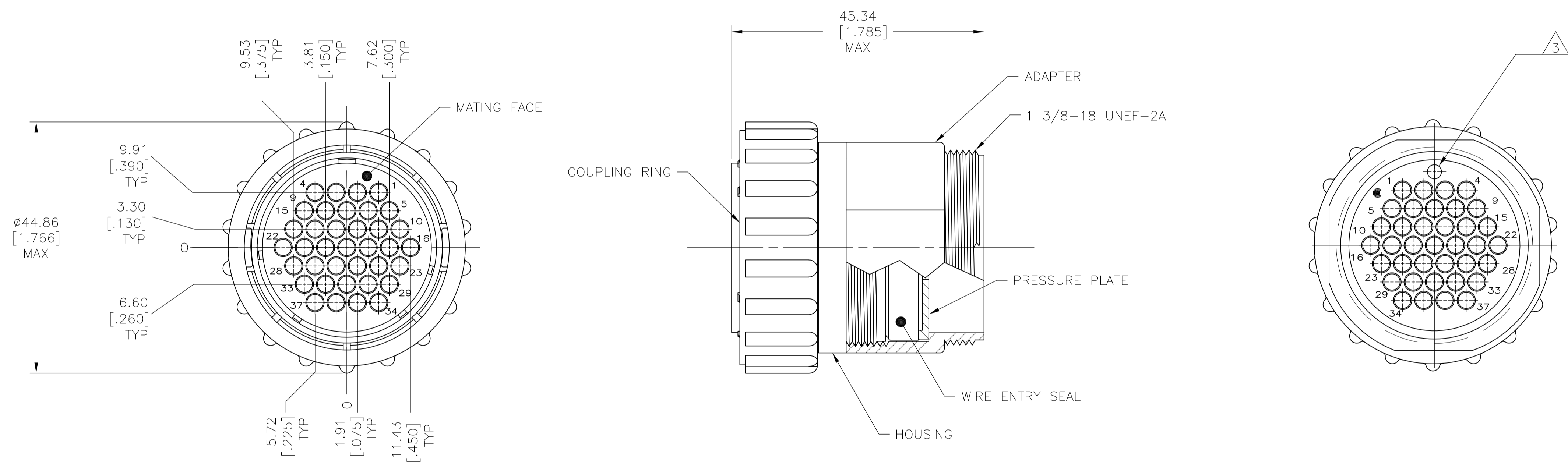
Email & Skype: info@chipsmall.com Web: www.chipsmall.com

Address: A1208, Overseas Decoration Building, #122 Zhenhua RD., Futian, Shenzhen, China



LOC		DIST		REVISIONS			
P	LTR	DESCRIPTION	DATE	DNW	APVD		
A		NEW DRAWING PER ECO-12-018480	26OCT12	KH	MZ		

- 1 COUPLING RING: POLYPHENYLENE, BLACK.
 ADAPTER, HOUSING AND PRESSURE PLATE: NYLON, BLACK.
 WIRE ENTRY SEAL: ELASTOMER, RED-IRON OXIDE.
- 2 CONNECTOR WILL ACCEPT (37) MULTIMATE SOCKET CONTACTS.
- 3 ORIENTATION HOLE USED IN THE MANUFACTURING PROCESS ONLY.
 THIS HOLE IS NOT INTENDED FOR WIRE INSERTION.



1977887-1
 PART NUMBER

THIS DRAWING IS A CONTROLLED DOCUMENT.		DWN KIRAN HOLAL 26OCT12	TE Connectivity	
DIMENSIONS: mm [INCHES]		CHK ZITTO MARK 26OCT12		
TOLERANCES UNLESS OTHERWISE SPECIFIED:		APVD ZITTO MARK 26OCT12	NAME CPC PLUG ASSEMBLY, SERIES 1, SEALED, 23-37, STANDARD SEX, UV RESISTANT	
0 PLC ± - 1 PLC ± - 2 PLC ± 0.13[.005] 3 PLC ± - 4 PLC ± - ANGLES ± -		PRODUCT SPEC 108-1579	APPLICATION SPEC	
MATERIAL		SIZE A1	CAGE CODE 00779	DRAWING NO 1977887
FINISH		WEIGHT	SCALE 2:1	SHEET 1 of 1
1		CUSTOMER DRAWING		REV A