



Chipsmall Limited consists of a professional team with an average of over 10 year of expertise in the distribution of electronic components. Based in Hongkong, we have already established firm and mutual-benefit business relationships with customers from,Europe,America and south Asia,supplying obsolete and hard-to-find components to meet their specific needs.

With the principle of “Quality Parts,Customers Priority,Honest Operation,and Considerate Service”,our business mainly focus on the distribution of electronic components. Line cards we deal with include Microchip,ALPS,ROHM,Xilinx,Pulse,ON,Everlight and Freescale. Main products comprise IC,Modules,Potentiometer,IC Socket,Relay,Connector.Our parts cover such applications as commercial,industrial, and automotives areas.

We are looking forward to setting up business relationship with you and hope to provide you with the best service and solution. Let us make a better world for our industry!



Contact us

Tel: +86-755-8981 8866 Fax: +86-755-8427 6832

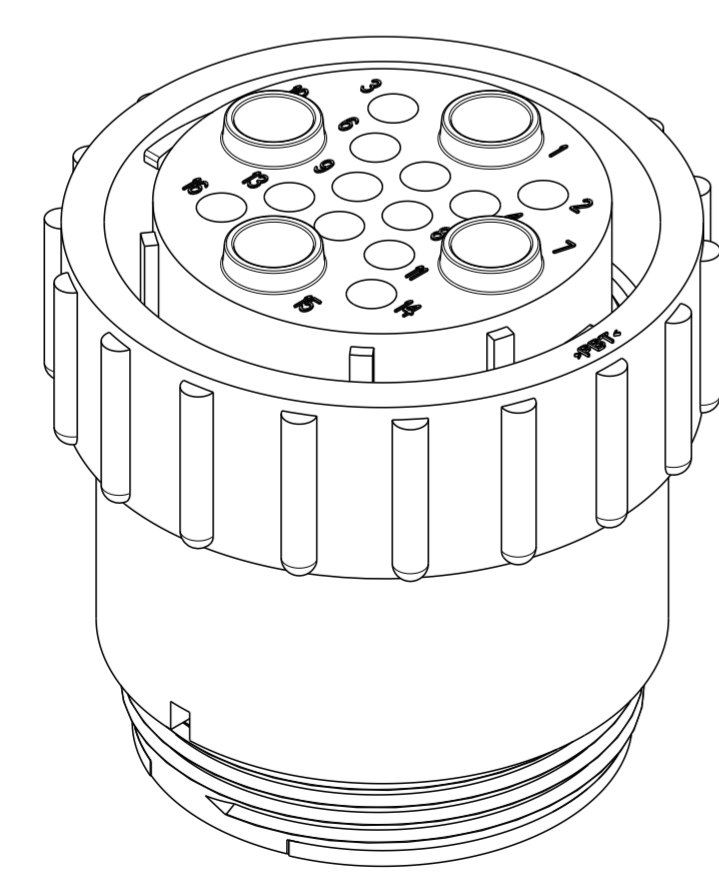
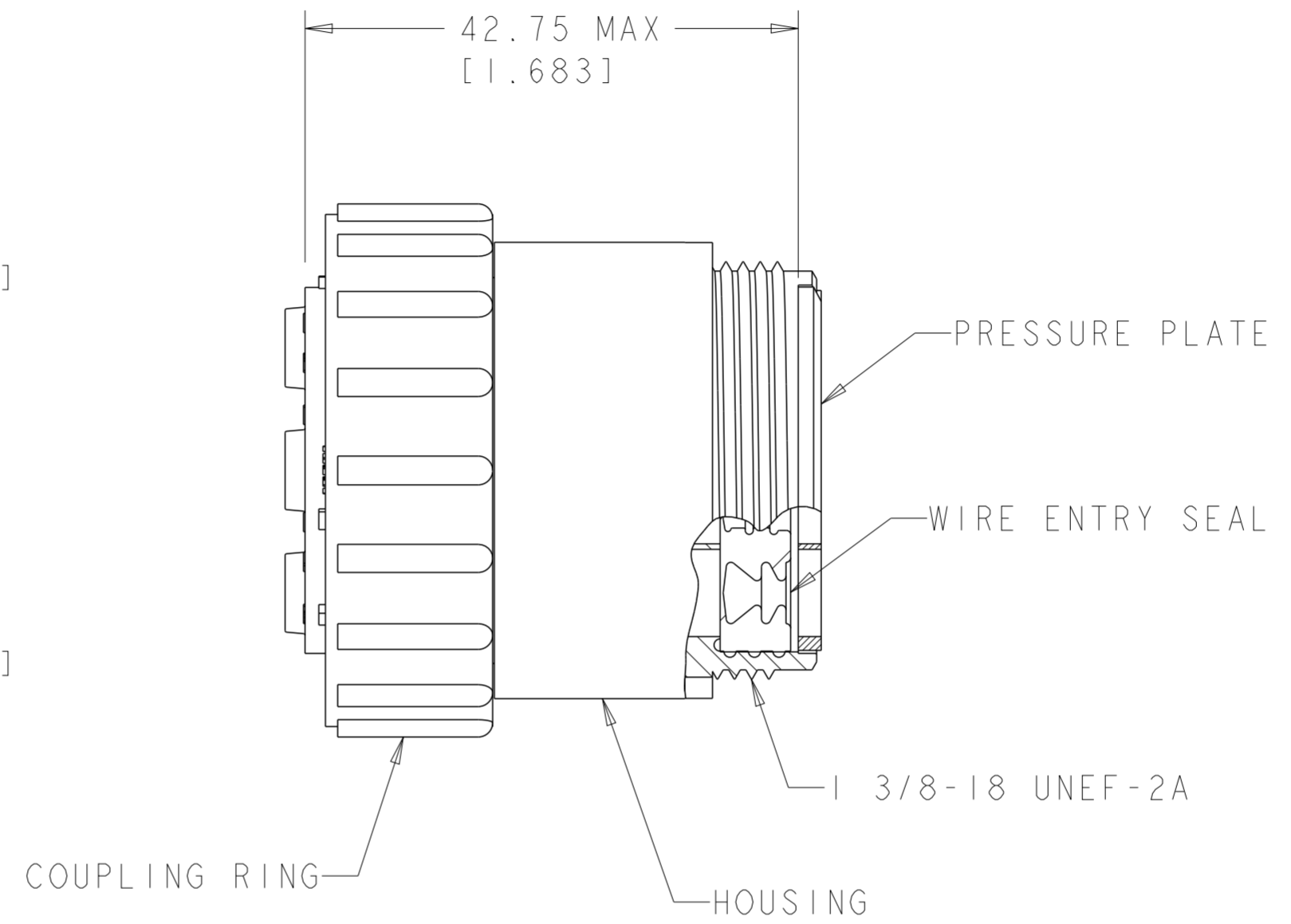
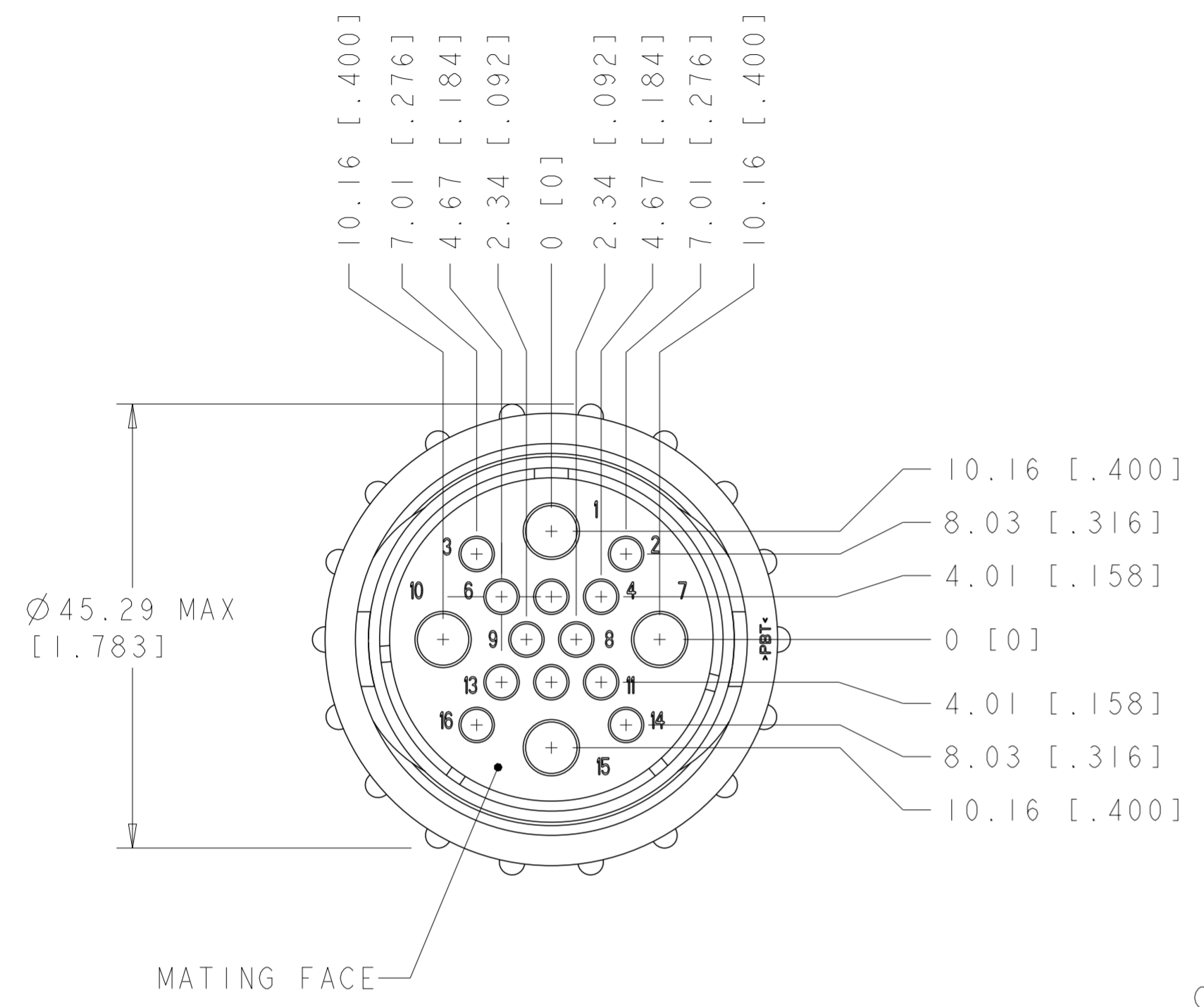
Email & Skype: info@chipsmall.com Web: www.chipsmall.com

Address: A1208, Overseas Decoration Building, #122 Zhenhua RD., Futian, Shenzhen, China



THIS DRAWING IS UNPUBLISHED. RELEASED FOR PUBLICATION
 © COPYRIGHT 20 BY - ALL RIGHTS RESERVED.

LOC		DIST		REVISIONS			
P	LTR	DESCRIPTION	DATE	DWN	APVD		
	A	NEW DRAWING PER ECO-12-018480	15NOV2012	KH	MZ		



- 1 HOUSING & PRESSURE PLATE: NYLON, BLACK.
 WIRE ENTRY SEAL: ELASTOMER, RED-IRON OXIDE.
 COUPLING RING: POLYESTER, BLACK.
- 2. CONNECTOR WILL ACCEPT (12) MULTIMATE SOCKET AND (4) POWER SOCKET CONTACTS.

STD	1977892-1
WIRE ENTRY SEAL	PART NUMBER

THIS DRAWING IS A CONTROLLED DOCUMENT.		DWN	15NOV2012	TE Connectivity			
DIMENSIONS: mm [INCHES]		CHK	15NOV2012				
TOLERANCES UNLESS OTHERWISE SPECIFIED:		APVD	15NOV2012				
0 PLC ± 1 PLC ± 2 PLC ±0.02 3 PLC ± 4 PLC ± ANGLES ± FINISH		NAME	CPC PLUG ASSEMBLY, SERIES 6 SEALED, 23-16 STANDARD SEX UV RESISTANT				
MATERIAL	1	PRODUCT SPEC	108-1579	SIZE	CAGE CODE	DRAWING NO	RESTRICTED TO
		APPLICATION SPEC	-	A2	00779	C-1977892	-
		WEIGHT	-	SCALE	2:1	SHEET	1 OF 1
		CUSTOMER DRAWING				REV	A