



Chipsmall Limited consists of a professional team with an average of over 10 year of expertise in the distribution of electronic components. Based in Hongkong, we have already established firm and mutual-benefit business relationships with customers from,Europe,America and south Asia,supplying obsolete and hard-to-find components to meet their specific needs.

With the principle of “Quality Parts,Customers Priority,Honest Operation,and Considerate Service”,our business mainly focus on the distribution of electronic components. Line cards we deal with include Microchip,ALPS,ROHM,Xilinx,Pulse,ON,Everlight and Freescale. Main products comprise IC,Modules,Potentiometer,IC Socket,Relay,Connector.Our parts cover such applications as commercial,industrial, and automotives areas.

We are looking forward to setting up business relationship with you and hope to provide you with the best service and solution. Let us make a better world for our industry!



Contact us

Tel: +86-755-8981 8866 Fax: +86-755-8427 6832

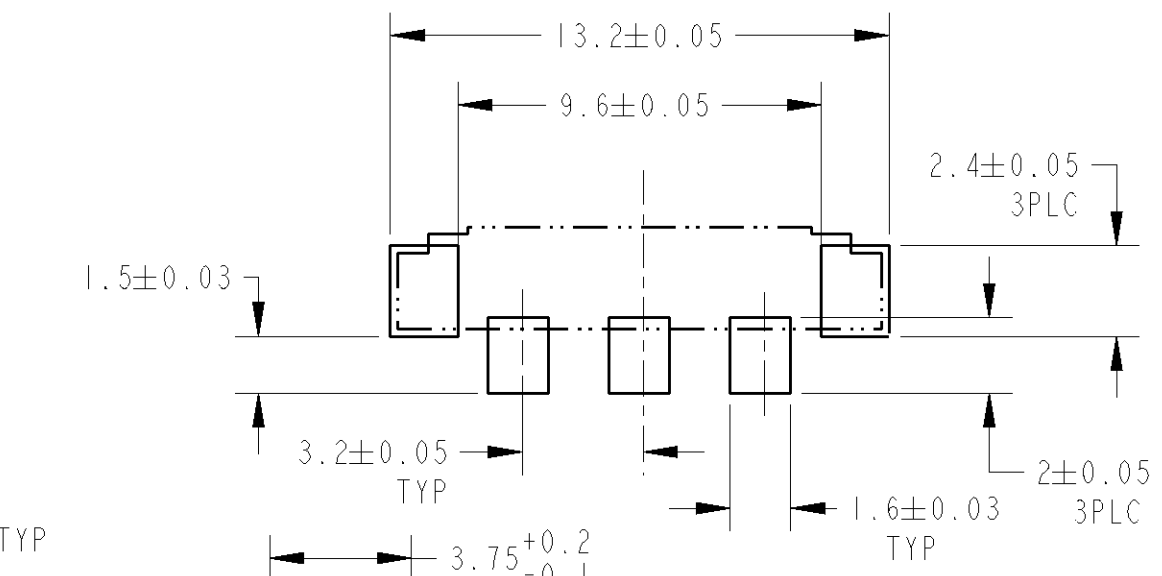
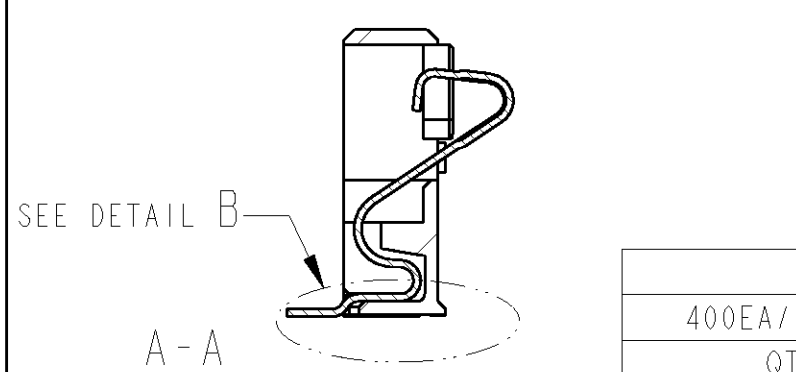
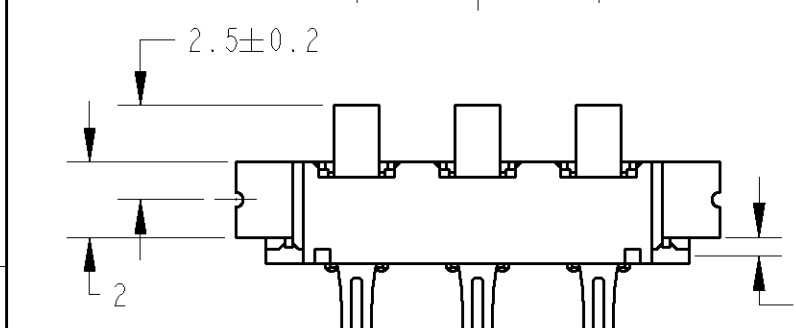
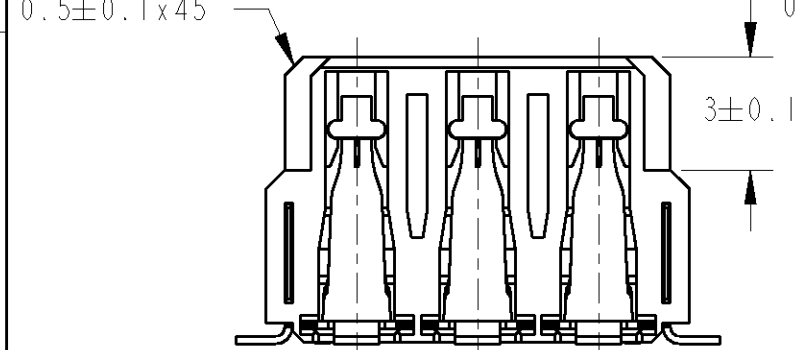
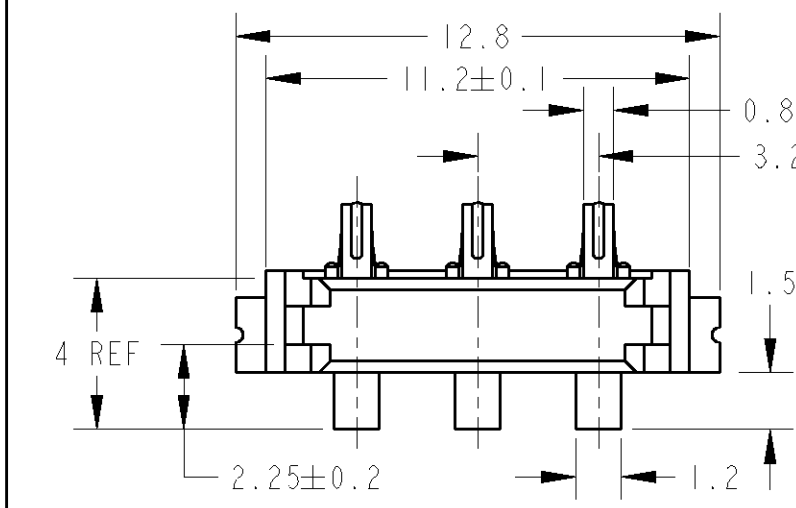
Email & Skype: info@chipsmall.com Web: www.chipsmall.com

Address: A1208, Overseas Decoration Building, #122 Zhenhua RD., Futian, Shenzhen, China

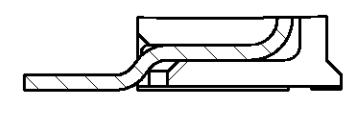


THIS DRAWING IS UNPUBLISHED.
 RELEASED FOR PUBLICATION
 20
 © COPYRIGHT 20 BY TYCO ELECTRONICS CORPORATION. ALL RIGHTS RESERVED.

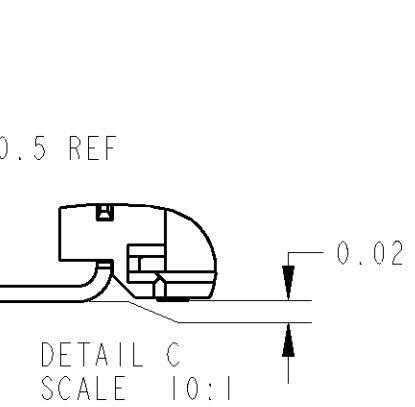
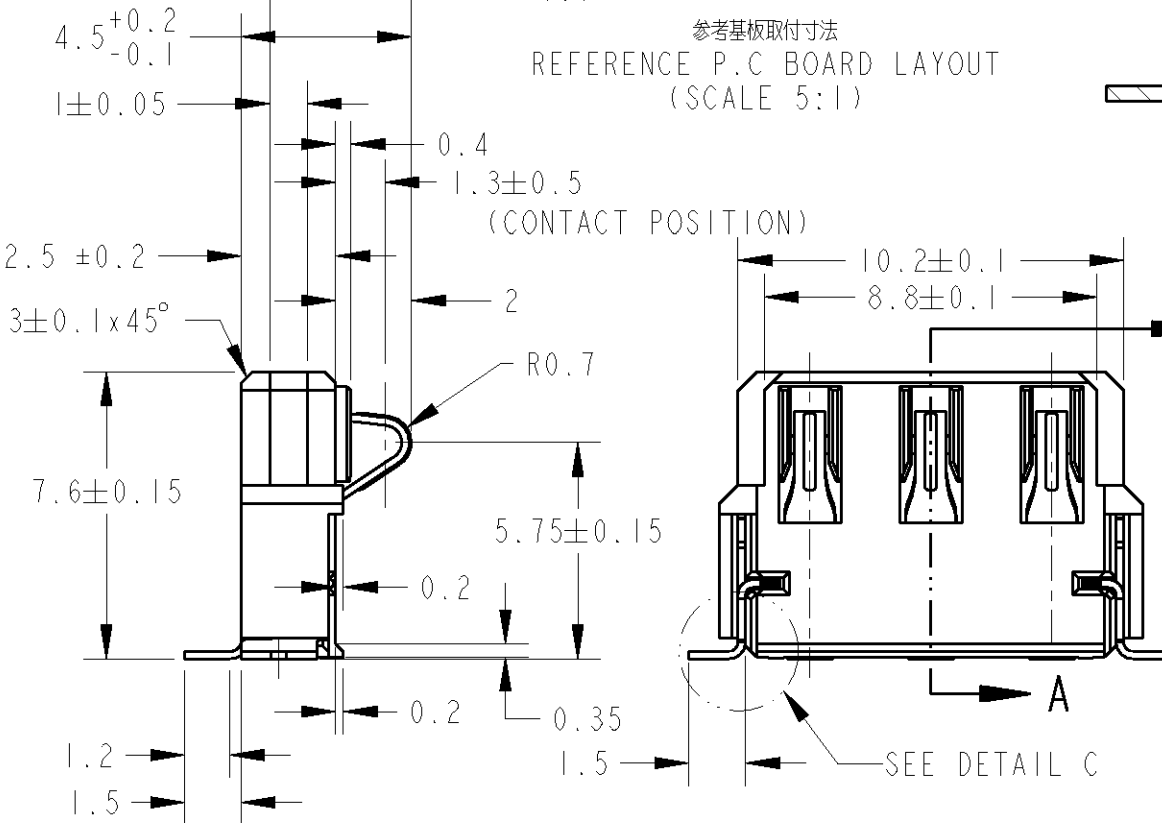
LOC	DIST	REVISIONS					
		P	LTR	DESCRIPTION	DATE	DWN	APVD
J	-		F	REVISED	030CT2007	M.O	Y.N



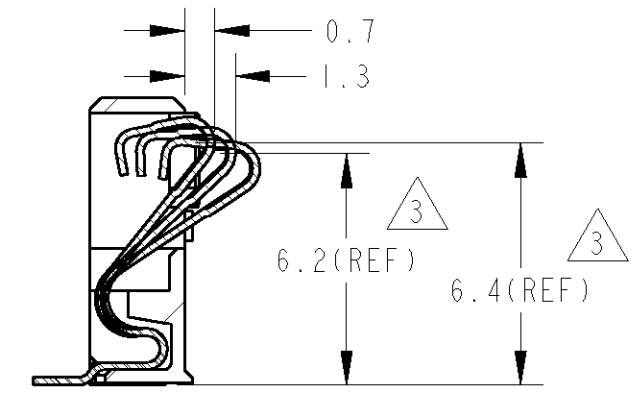
参考基板取付寸法
 REFERENCE P.C BOARD LAYOUT
 (SCALE 5:1)



DETAIL B
 SCALE 10:1



DETAIL C
 SCALE 10:1



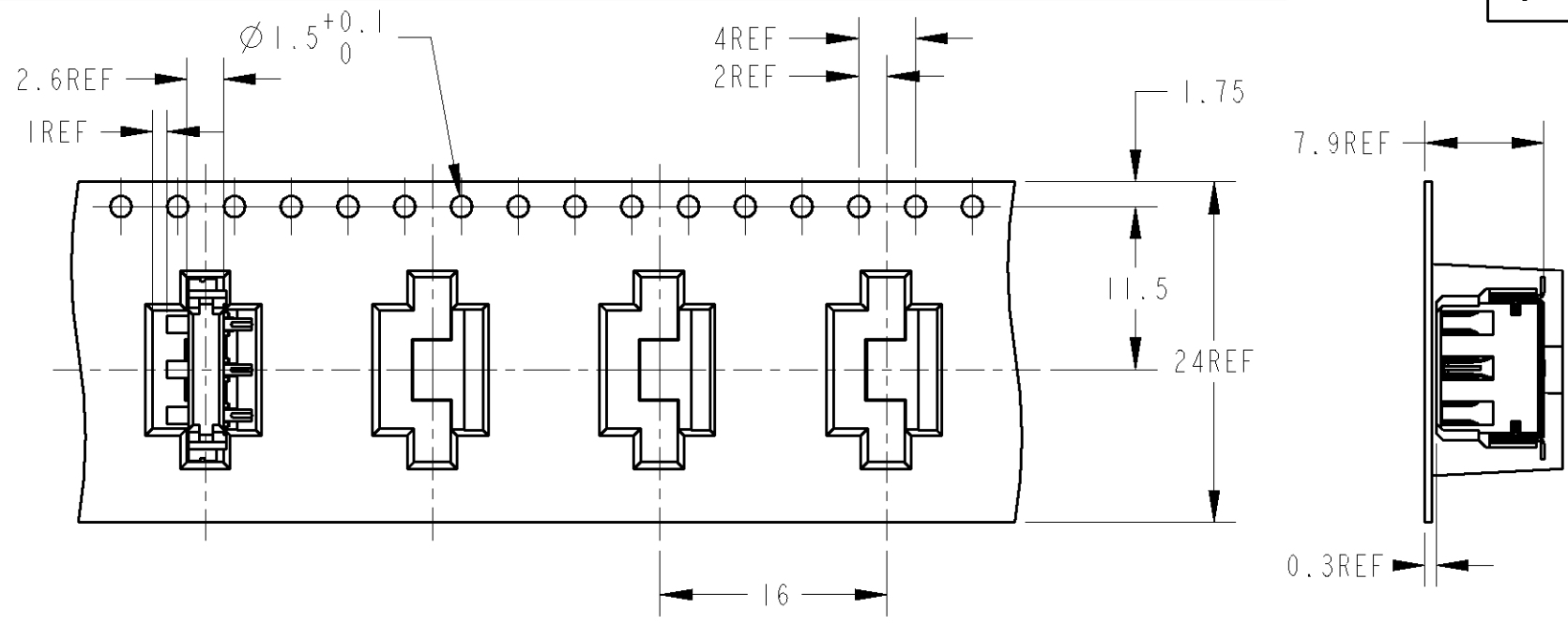
- ストローク時参考寸法
- ① 材料
 コンタクト: 銅合金
 ハウジング: 熱可塑性樹脂, UL94V-0, 黒
 ソルダープラグ: 銅合金
 - ② 仕上げ
 コンタクト: ニッケル下地めっき1.27μm以上
 接点部 金めっき1μm以上
 半田付け部: 金フラッシュめっき0.05~0.13μm
 ソルダープラグ: ニッケル下地めっき1μm以上
 錫めっき1μm以上
 - ③ ストローク時接点位置(ワイピング量)は相手側パッドとの摩擦係数に依存する。
 4. コ-planarity 0.1MAX.

- ① MATERIAL
 CONTACT: COPPER ALLOY
 HOUSING: THERMO PLASTIC UL94V-0, BLACK
 SOLDER PEG: COPPER ALLOY
- ② FINISH
 CONTACT: NICKEL ALL OVER UNDER PLATING,
 THK. 1.27μm MIN.
 GOLD PLATING AT CONTACT AREA,
 THK. 1μm MIN.
 GOLD FLASH PLATING AT LEAD AREA,
 THK. 0.05~0.13μm.
 SOLDER PEG: NICKEL ALL OVER UNDER PLATING,
 THK. 1μm MIN.
 TIN PLATING, THK. 1μm MIN.
- ③ DEPEND ON FRICTION COEFFICIENT
 AGAINST PAD OF BATTERY PACK.
 4. COPLANARITY 0.1MAX.

THIS DRAWING IS A CONTROLLED DOCUMENT FOR TYCO ELECTRONICS CORPORATION IT IS SUBJECT TO CHANGE AND THE CONTROLLING ENGINEERING ORGANIZATION SHOULD BE CONTACTED FOR THE LATEST REVISION.		DWN M. OSHIMA 14SEP06	Tyco Electronics Tyco Electronics AMP K.K. Kawasaki, Japan	
DIMENSIONS: 単位: 毫 mm		CHK C. OHASHI 15SEP06	NAME 名称	
TOLERANCES UNLESS OTHERWISE SPECIFIED: 一般公差 ±0.3		APVD Y. YAMOTO 15SEP06	LEAF TYPE BATTERY CONNECTOR 3POS. WITHOUT BOSS	
0-PLC ±		PRODUCT SPEC 108-5956	SIZE A3	
1-PLC ±0.1		APPLICATION SPEC	CAGE CODE 00779	
2-PLC ±0.01		取付適用規格	DRAWING NO C-1981061	
3-PLC ±0.001		WEIGHT 0.31g	RESTRICTED TO	
4-PLC ±0.0001		CUSTOMER DRAWING	-	
ANGLES ±3°		SCALE 5:1	SHEET 1 OF 2	
MATERIAL 材料	FINISH 仕上	REV F		

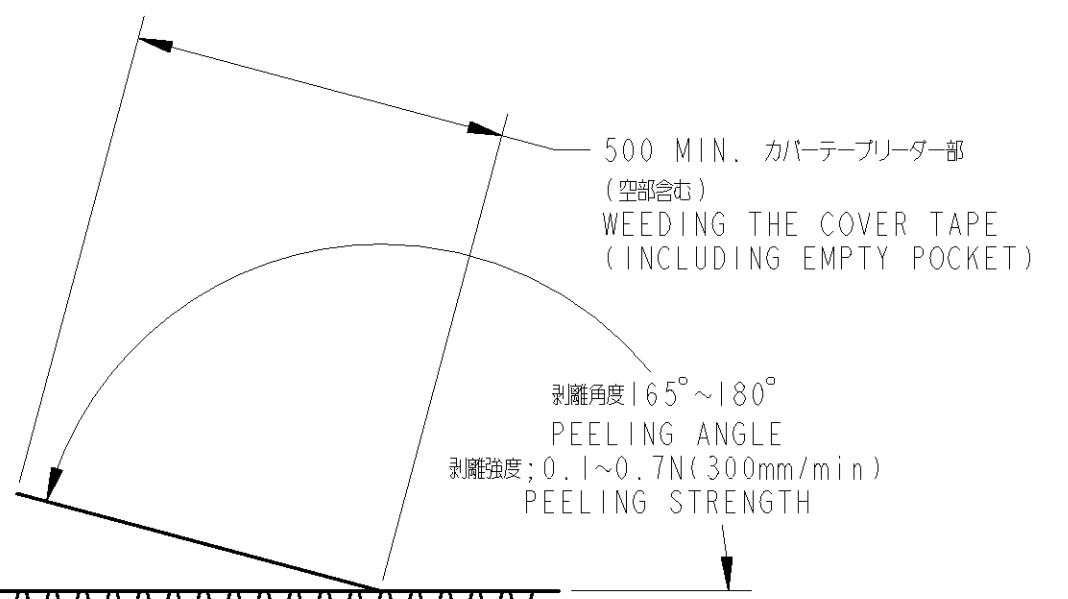
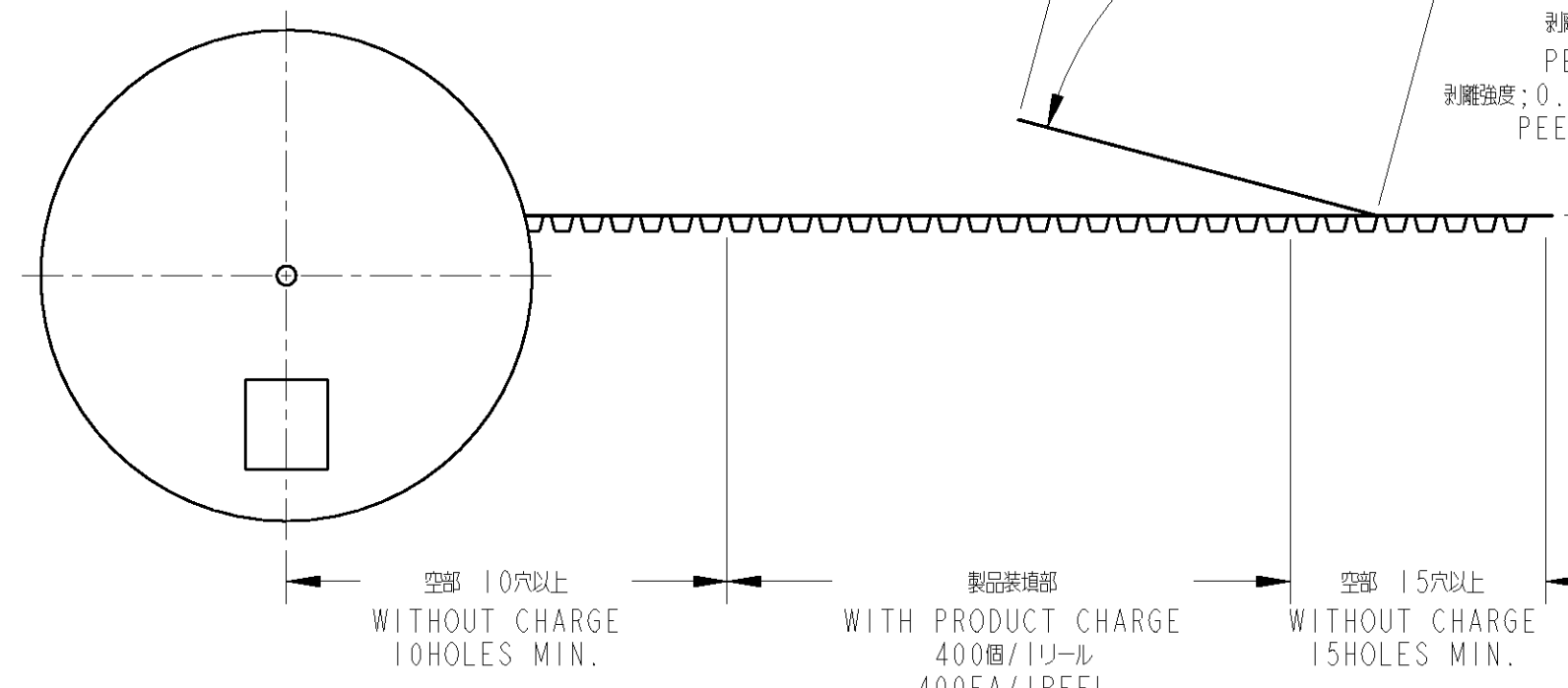
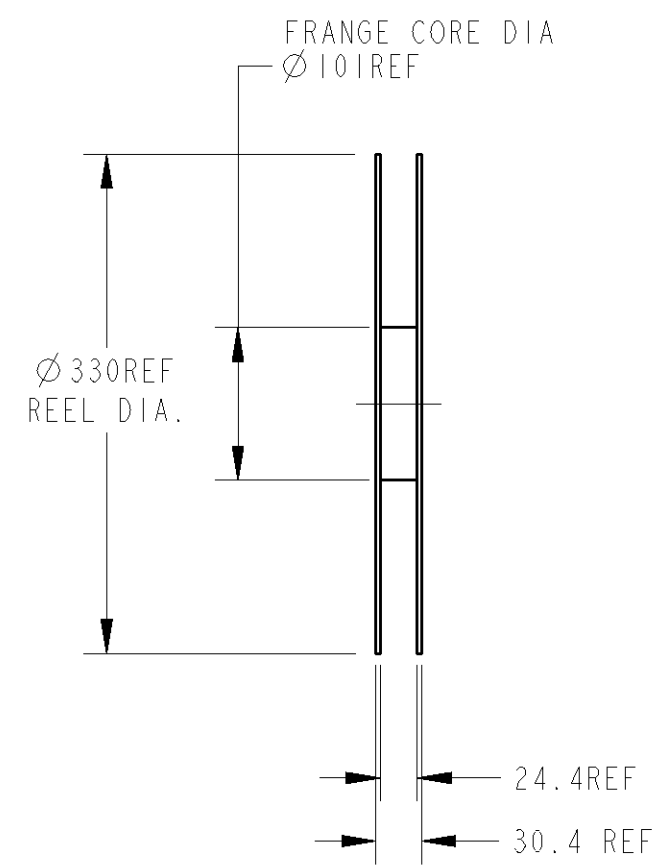
THIS DRAWING IS UNPUBLISHED. RELEASED FOR PUBLICATION 20
 © COPYRIGHT 20 BY TYCO ELECTRONICS CORPORATION. ALL RIGHTS RESERVED.

LOC	DIST	REVISIONS					
J	-	P	LTR	DESCRIPTION	DATE	DWN	APVD
		-		SEE SHEET 1			



1981061-1; MODEL NUMBER
 1981061-1; 型番

SCALE 2:1



THIS DRAWING IS A CONTROLLED DOCUMENT FOR TYCO ELECTRONICS CORPORATION
 IT IS SUBJECT TO CHANGE AND THE CONTROLLING ENGINEERING ORGANIZATION
 SHOULD BE CONTACTED FOR THE LATEST REVISION.

DIMENSIONS: 単位: 概 mm	TOLERANCES UNLESS OTHERWISE SPECIFIED: 一般公差 ±0.3 0-PLC ± 1-PLC ±0.1 2-PLC ±0.01 3-PLC ±0.001 4-PLC ±0.0001 ANGLES ±3°
MATERIAL 材料	FINISH 仕上

DWN	M. OSHIMA	14SEP06
CHK	C. OHASHI	15SEP06
APVD	Y. YAMOTO	15SEP06
PRODUCT SPEC	108-5956	
APPLICATION SPEC	取付適用規格	
WEIGHT	0.31g	

Tyco Electronics		Tyco Electronics AMP K.K. Kawasaki, Japan	
NAME 名称 LEAF TYPE BATTERY CONNECTOR 3POS. WITHOUT BOSS			
SIZE	CAGE CODE	DRAWING NO 番号	RESTRICTED TO
A3	00779	1981061	-
CUSTOMER DRAWING		SCALE 尺度 1:1	SHEET 2 OF 2 REV F