



Chipsmall Limited consists of a professional team with an average of over 10 year of expertise in the distribution of electronic components. Based in Hongkong, we have already established firm and mutual-benefit business relationships with customers from,Europe,America and south Asia,supplying obsolete and hard-to-find components to meet their specific needs.

With the principle of “Quality Parts,Customers Priority,Honest Operation,and Considerate Service”,our business mainly focus on the distribution of electronic components. Line cards we deal with include Microchip,ALPS,ROHM,Xilinx,Pulse,ON,Everlight and Freescale. Main products comprise IC,Modules,Potentiometer,IC Socket,Relay,Connector.Our parts cover such applications as commercial,industrial, and automotives areas.

We are looking forward to setting up business relationship with you and hope to provide you with the best service and solution. Let us make a better world for our industry!



Contact us

Tel: +86-755-8981 8866 Fax: +86-755-8427 6832

Email & Skype: info@chipsmall.com Web: www.chipsmall.com

Address: A1208, Overseas Decoration Building, #122 Zhenhua RD., Futian, Shenzhen, China



THIS DRAWING IS UNPUBLISHED. RELEASED FOR PUBLICATION
 © COPYRIGHT - BY TYCO ELECTRONICS CORPORATION, ALL RIGHTS RESERVED.

LOC	DIST	REVISIONS					
		P	LTR	DESCRIPTION	DATE	DWN	APVD
-	-	A		RELEASED	13NOV2007	S.I	I.H
-	-	AI		REVISED	30MAY2008	S.I	I.H

D

C

B

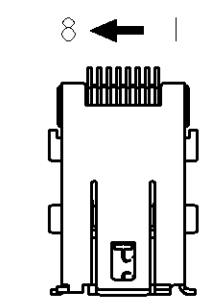
A

D

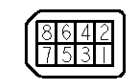
C

B

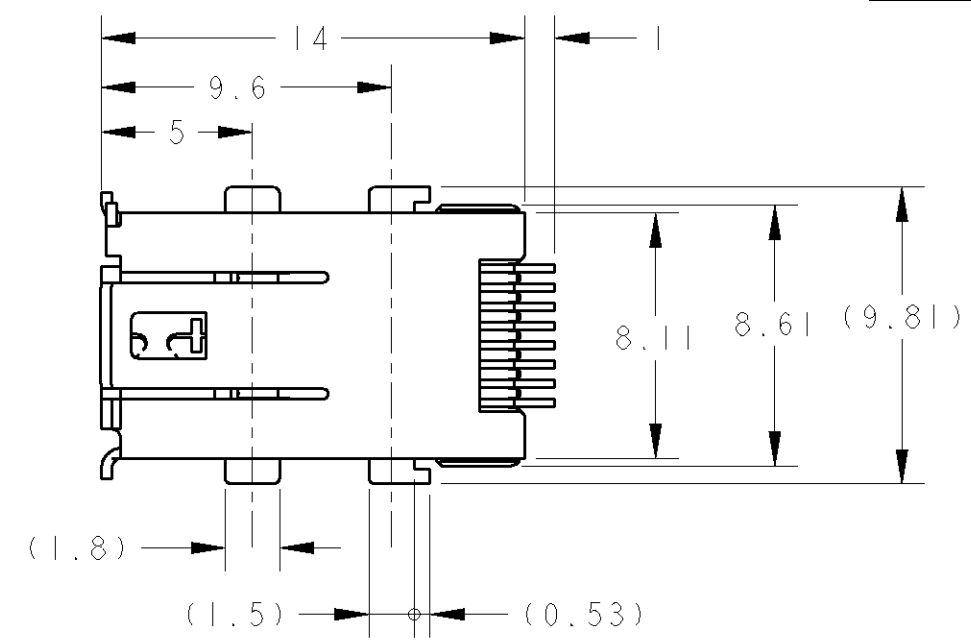
A



D-SHAPE TYPE I



回路番号
CIRCUIT NO.



注記

① 材料及び仕上げ
 コントラクト
 材料: 銅合金
 全面Ni 下地めっき 1.27μmMIN
 接点部: Auめっき 0.5μmMIN
 半田付け部: Auフラッシュめっき
 ハウジング
 材料: 熱可塑性樹脂
 難燃性 UL 94V-0
 シェル
 材料: 銅合金
 全面Ni 下地めっき
 全面Snめっき

② SMTリード先端部の平坦度(コプラナリティー): 0.1MAX

③ 顧客決定寸法

NOTE

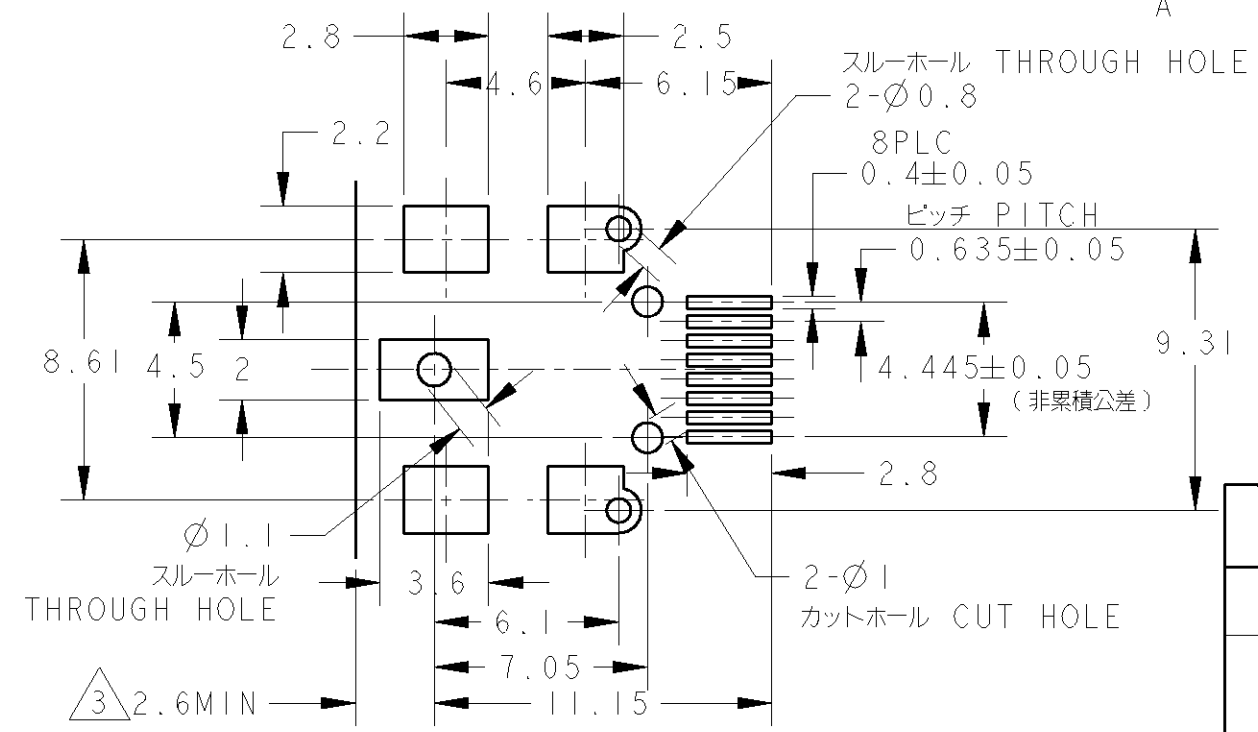
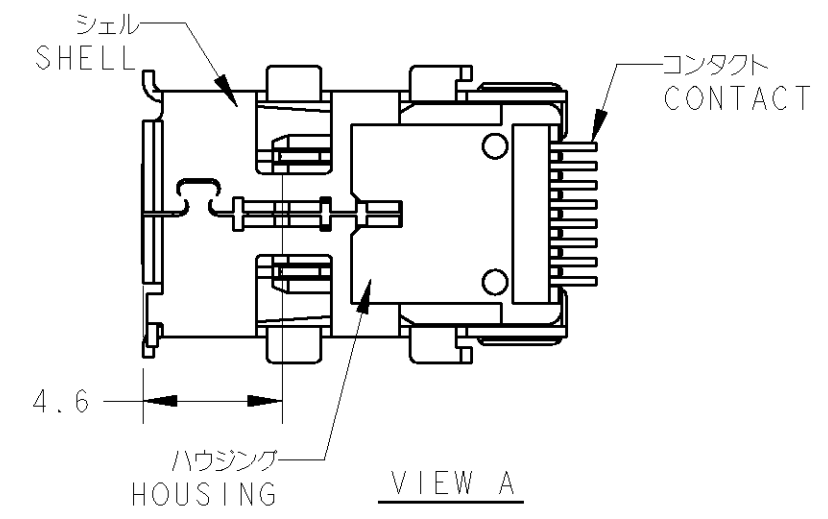
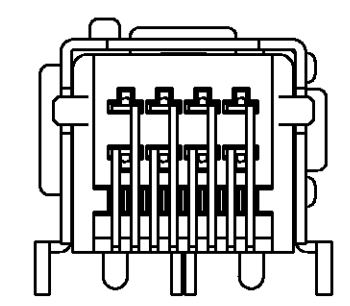
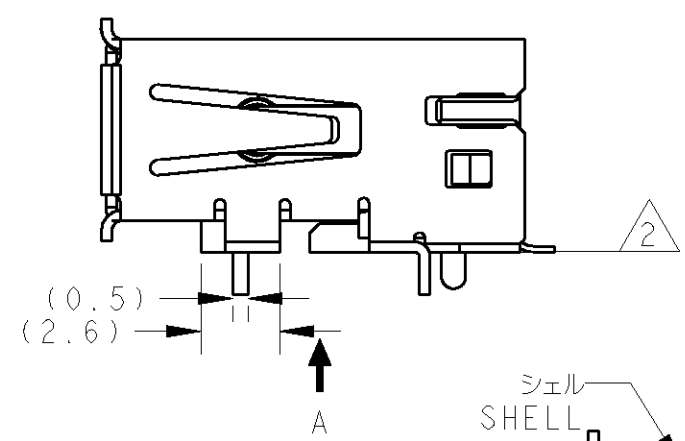
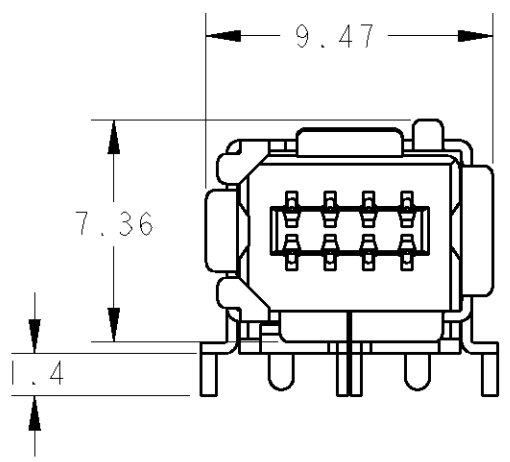
① MATERIAL AND FINISH
 CONTACT
 COPPER ALLOY
 UNDER ALL SURFACE Ni 1.27μm MIN
 TOP CONTACT AREA Au 0.5μm MIN
 SOLDERING AREA Au FLASH

HOUSING
THERMO PLASTIC(UL94V-0)

SHELL
COPPER ALLOY
UNDER ALL SURFACE Ni
TOP ALL SURFACE Sn

② COPLANARITY 0.1 MAX(TOP OF LEAD)

③ DIMENSION DECIDED BY CUSTOMER.



推奨基板寸法(実装面側) ±1.6
 RECOMMENDED BOARD DIMENSION
 (CONNECTOR SIDE) ±1.6

THIS DRAWING IS A CONTROLLED DOCUMENT FOR TYCO ELECTRONICS CORPORATION
 IT IS SUBJECT TO CHANGE AND THE CONTROLLING ENGINEERING ORGANIZATION
 SHOULD BE CONTACTED FOR THE LATEST REVISION.

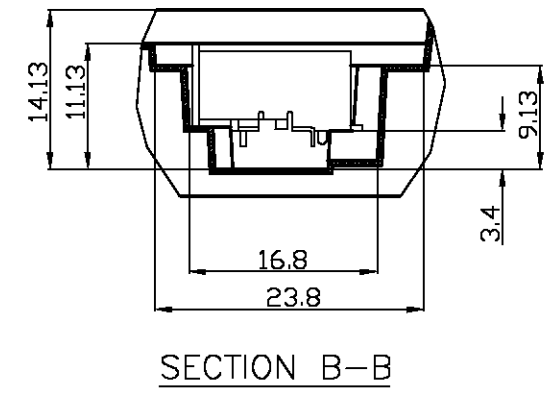
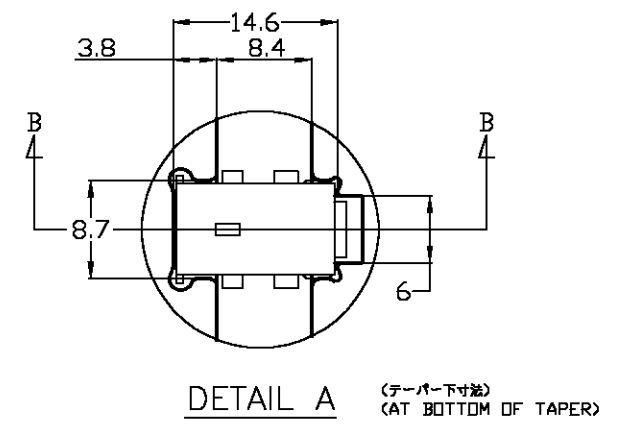
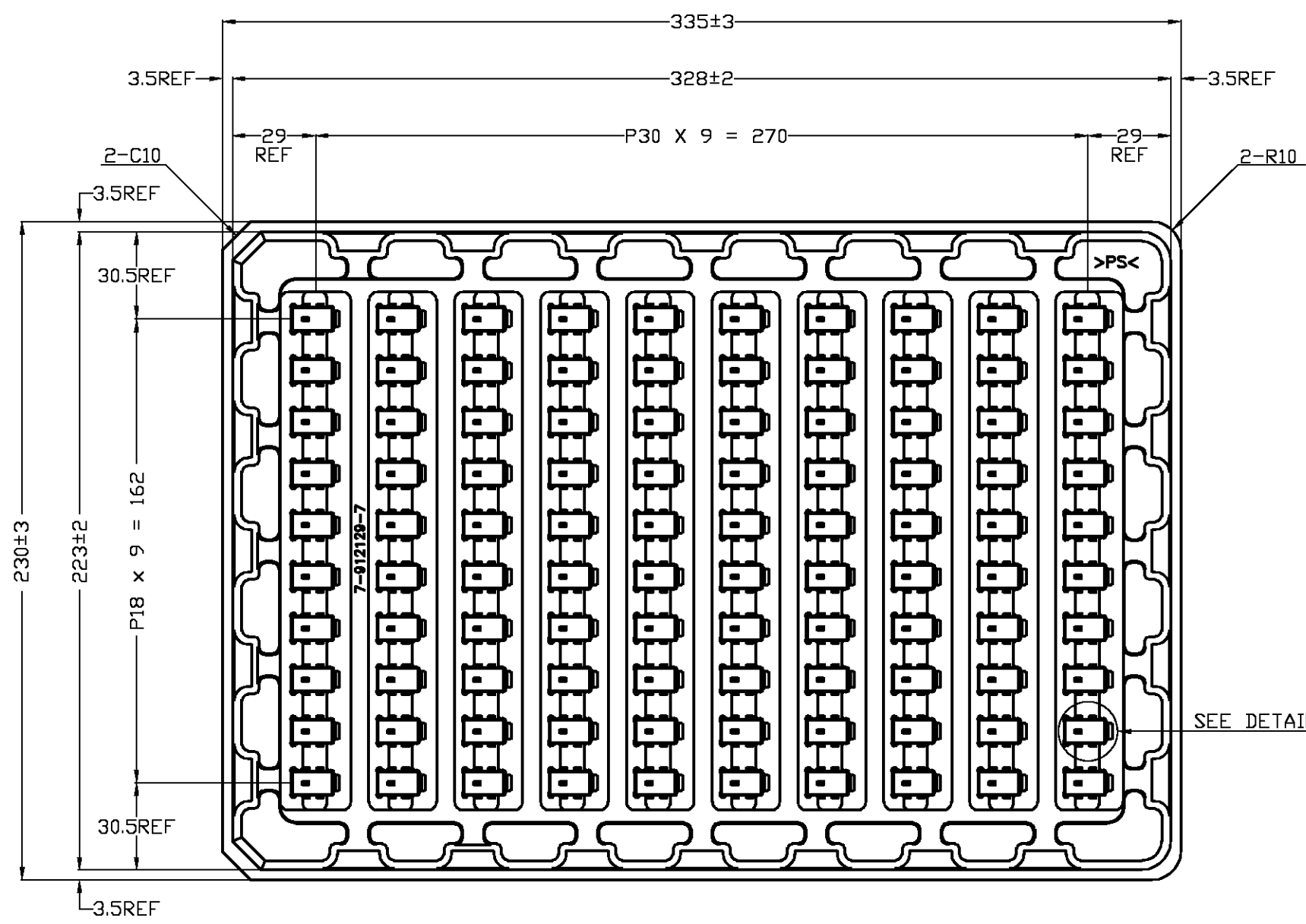
DIMENSIONS: 単位: 概 mm	TOLERANCES UNLESS OTHERWISE SPECIFIED: 一般公差 ±0.2 0-PLC ± 1-PLC ± 2-PLC ± 3-PLC ± 4-PLC ± ANGLES ±	DWN S. INOMATA 13NOV2007 CHK I. HASAGAWA 13NOV2007 APVD I. HASAGAWA 13NOV2007 PRODUCT SPEC 108-78405 APPLICATION SPEC 取付適用規格 WEIGHT -
MATERIAL 材料	FINISH 仕上	CUSTOMER DRAWING

TRAY (SEE SHEET 2 OF 2)		1981080-1	
PACKAGING STYLE		PART NO.	
tyco Electronics		Tyco Electronics AMP K.K. Kawasaki, Japan	
NAME 名称		INDUSTRIAL MINI I/O CONN. 1.27MM PITCH 8P HDR ASSY D-SHAPE TYPE I	
SIZE	CAGE CODE	DRAWING NO 番号	RESTRICTED TO
A3	-	1981080	-
SCALE 尺度 4:1		SHEET 1 OF 2	REV A1

THIS DRAWING IS UNPUBLISHED. RELEASED FOR PUBLICATION
 © COPYRIGHT BY TYCO ELECTRONICS CORPORATION. ALL RIGHTS RESERVED.

LOC	DIST	REVISIONS					
		P	LTR	DESCRIPTION	DATE	DWN	APVD
-	-	-	-	SEE SHEET 1	-	-	-

-1: 本図
1-: AS SHOWN



注記
 △トレー材質: ポリスチレン
 5 製品入り数: 100 / 1トレー

NOTE
 △TRAY MATERIAL: POLYSTYRENE
 5 PRODUCT QUANTITY: 100 / 1TRAY

THIS DRAWING IS A CONTROLLED DOCUMENT.		DWN SEE SHEET 1	Tyco Electronics Tyco Electronics Corporation Kawasaki, Japan	
DIMENSIONS: 単位: 耗 mm		CHK SEE SHEET 1	NAME 名称 INDUSTRIAL MINI I/O CONN. 1.27MM PITCH 8P HDR ASSY D-SHAPE TYPE 1	
TOLERANCES UNLESS OTHERWISE SPECIFIED: 一般公差 ±0.5		APVD SEE SHEET 1	PRODUCT SPEC 製品規格 SEE SHEET 1	RESTRICTED TO
0-PLC ± 1-PLC ± 2-PLC ± 3-PLC ± 4-PLC ± ANGLES ±		APPLICATION SPEC 取付適用規格	SIZE A3	CAGE CODE -
MATERIAL 材料 △		FINISH 仕上 -	WEIGHT -	DRAWING NO 番号 C-1981080
		CUSTOMER DRAWING	SCALE 尺度 NONE	SHEET 2 OF 2 REV A1