



Chipsmall Limited consists of a professional team with an average of over 10 year of expertise in the distribution of electronic components. Based in Hongkong, we have already established firm and mutual-benefit business relationships with customers from,Europe,America and south Asia,supplying obsolete and hard-to-find components to meet their specific needs.

With the principle of "Quality Parts,Customers Priority,Honest Operation,and Considerate Service",our business mainly focus on the distribution of electronic components. Line cards we deal with include Microchip,ALPS,ROHM,Xilinx,Pulse,ON,Everlight and Freescale. Main products comprise IC,Modules,Potentiometer,IC Socket,Relay,Connector.Our parts cover such applications as commercial,industrial, and automotives areas.

We are looking forward to setting up business relationship with you and hope to provide you with the best service and solution. Let us make a better world for our industry!



## Contact us

Tel: +86-755-8981 8866 Fax: +86-755-8427 6832

Email & Skype: info@chipsmall.com Web: www.chipsmall.com

Address: A1208, Overseas Decoration Building, #122 Zhenhua RD., Futian, Shenzhen, China

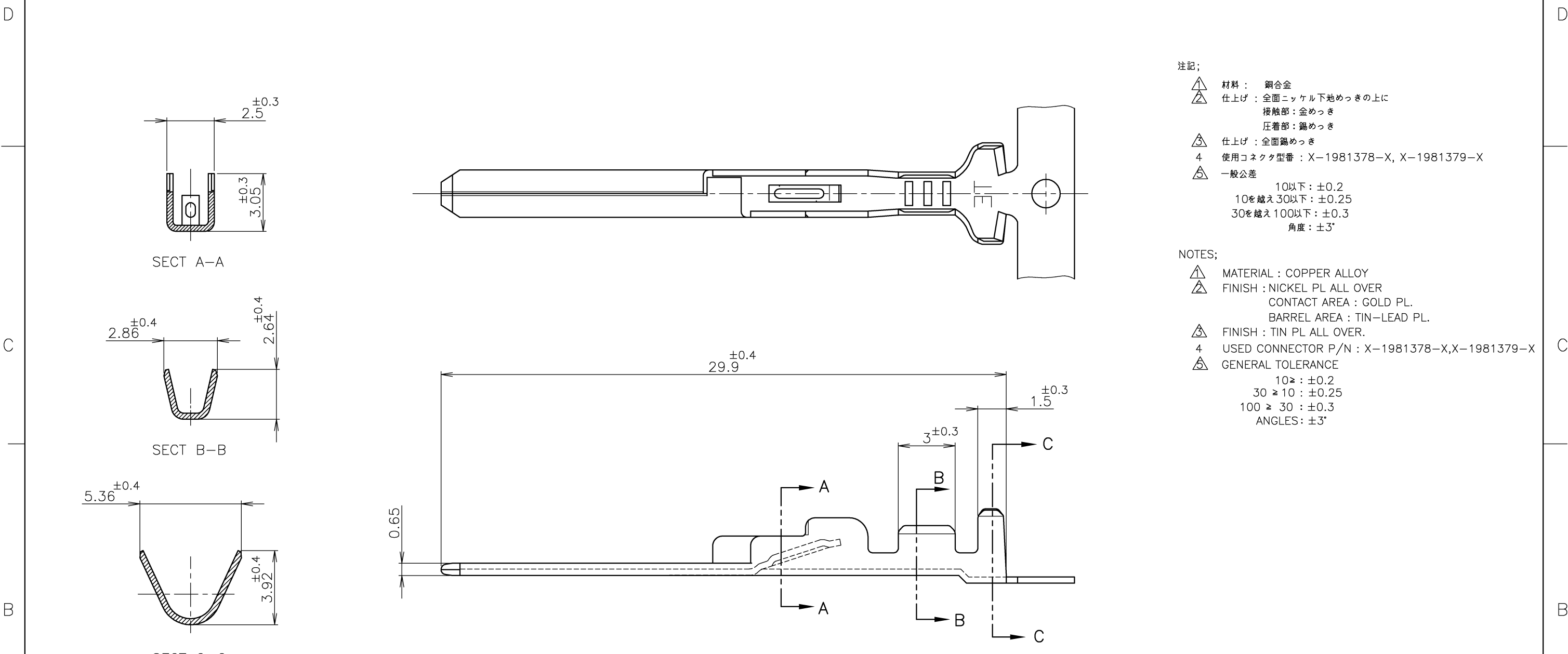


THIS DRAWING IS UNPUBLISHED. RELEASED FOR PUBLICATION  
 © COPYRIGHT BY TYCO ELECTRONICS CORPORATION. ALL RIGHTS RESERVED.

LOC	DIST	REVISIONS		
J		REVISED	DATE	DWN
		B	19NOV2008	M.K
				T.Y

注記;  
 材料 : 銅合金  
 仕上げ : 全面ニッケル下地めっきの上に  
 接触部 : 金めっき  
 圧着部 : 錫めっき  
 仕上げ : 全面錫めっき  
 4 使用コネクタ型番 : X-1981378-X, X-1981379-X  
 一般公差  
 10以下 : ±0.2  
 10を越え30以下 : ±0.25  
 30を越え100以下 : ±0.3  
 角度 : ±3°

NOTES;  
 MATERIAL : COPPER ALLOY  
 FINISH : NICKEL PL ALL OVER  
 CONTACT AREA : GOLD PL.  
 BARREL AREA : TIN-LEAD PL.  
 FINISH : TIN PL ALL OVER.  
 4 USED CONNECTOR P/N : X-1981378-X, X-1981379-X  
 GENERAL TOLERANCE  
 10 ≥ : ±0.2  
 30 ≥ 10 : ±0.25  
 100 ≥ 30 : ±0.3  
 ANGLES : ±3°



1-1981377-2	
1981377-2	
仕上げ FINISH	P/N

WIRE RANGE 絶合電線断面積 0.52~1.38mm <sup>2</sup> (AWG20~16)	INSULATION DIA 被覆外径 φ1.82~3.21 mm
--	---

THIS DRAWING IS A CONTROLLED DOCUMENT.		DWN M.KATO 17APR2008	Tyco Electronics AMP K.K. Kawasaki, Japan	
DIMENSIONS: 単位 : 耗 mm		CHK T.YAMADA 17APR2008	NAME T.YAMADA	
TOLERANCES UNLESS OTHERWISE SPECIFIED: 一般公差		APVD T.YAMADA 17APR2008	PRODUCT SPEC 製品規格 108-78473	
0 PLC ± 1 PLC ± 2 PLC ± 3 PLC ± 4 PLC ± ANGLES ±		APPLICATION SPEC 取付適用規格 114-5427	PLUG TAB CONTACT HYBRID MINI CT DRAWER POWER CONTACT	
MATERIAL 材料	FINISH 仕上	WEIGHT	SIZE A3	CAGE CODE 00779
1	2 3		DRAWING NO 番号 C-1981377	RESTRICTED TO
CUSTOMER DRAWING			SCALE 尺度 5:1	SHEET 1 of 1
			REV B	