



Chipsmall Limited consists of a professional team with an average of over 10 year of expertise in the distribution of electronic components. Based in Hongkong, we have already established firm and mutual-benefit business relationships with customers from,Europe,America and south Asia,supplying obsolete and hard-to-find components to meet their specific needs.

With the principle of "Quality Parts,Customers Priority,Honest Operation,and Considerate Service",our business mainly focus on the distribution of electronic components. Line cards we deal with include Microchip,ALPS,ROHM,Xilinx,Pulse,ON,Everlight and Freescale. Main products comprise IC,Modules,Potentiometer,IC Socket,Relay,Connector.Our parts cover such applications as commercial,industrial, and automotives areas.

We are looking forward to setting up business relationship with you and hope to provide you with the best service and solution. Let us make a better world for our industry!



Contact us

Tel: +86-755-8981 8866 Fax: +86-755-8427 6832

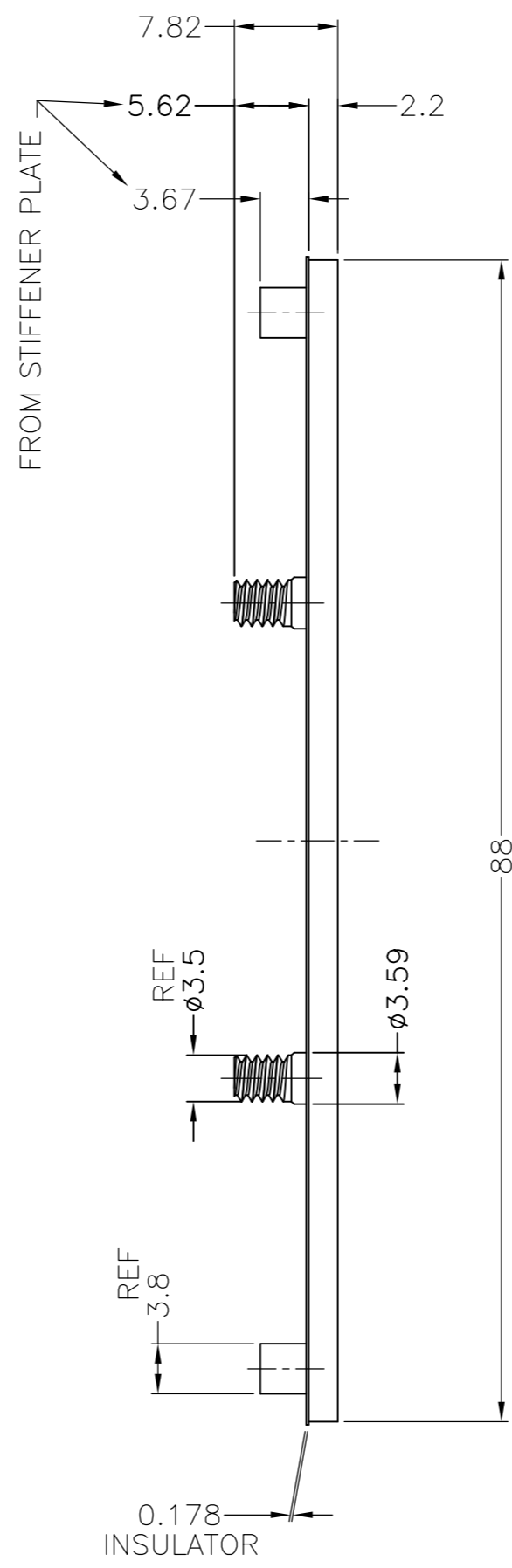
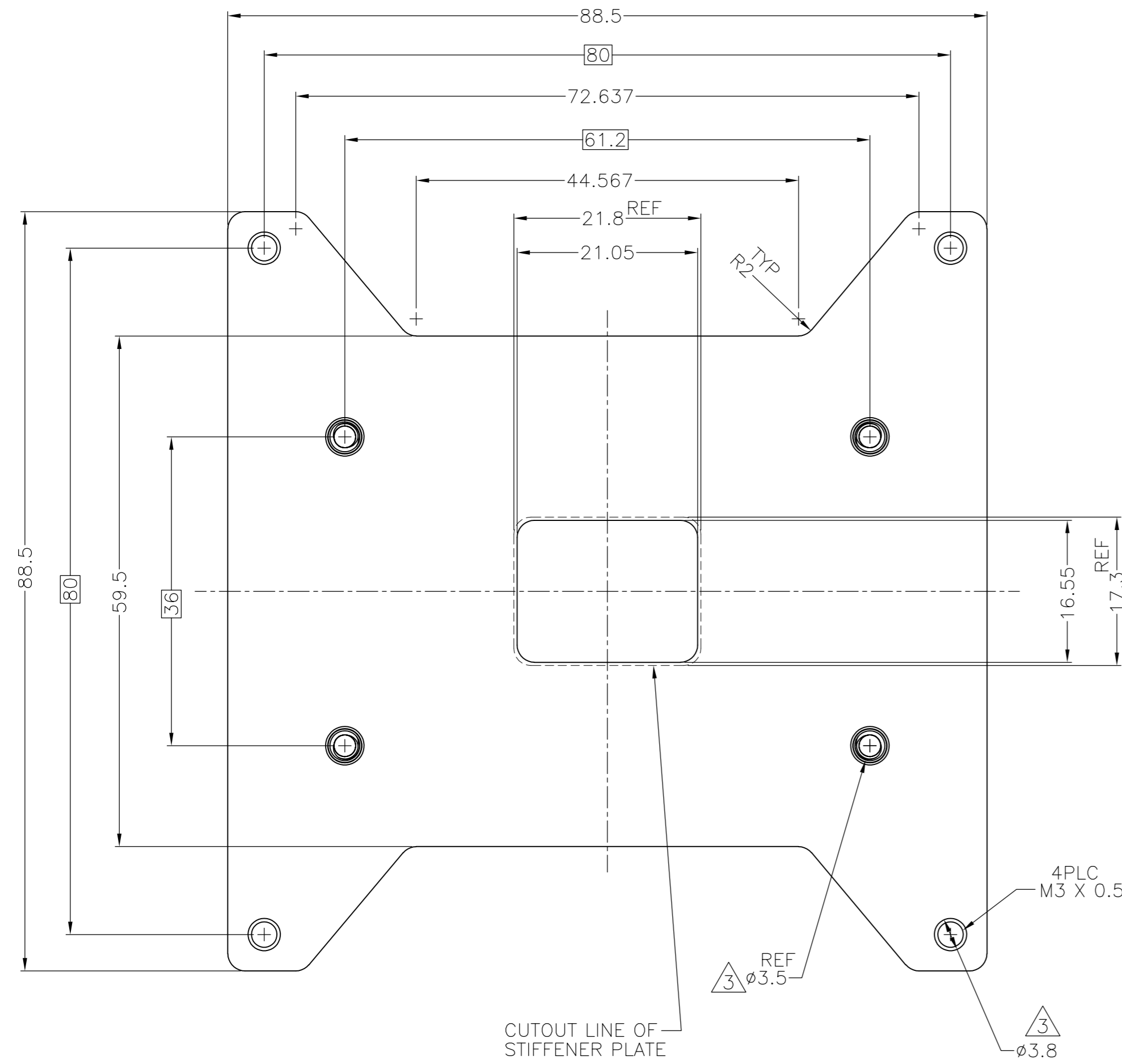
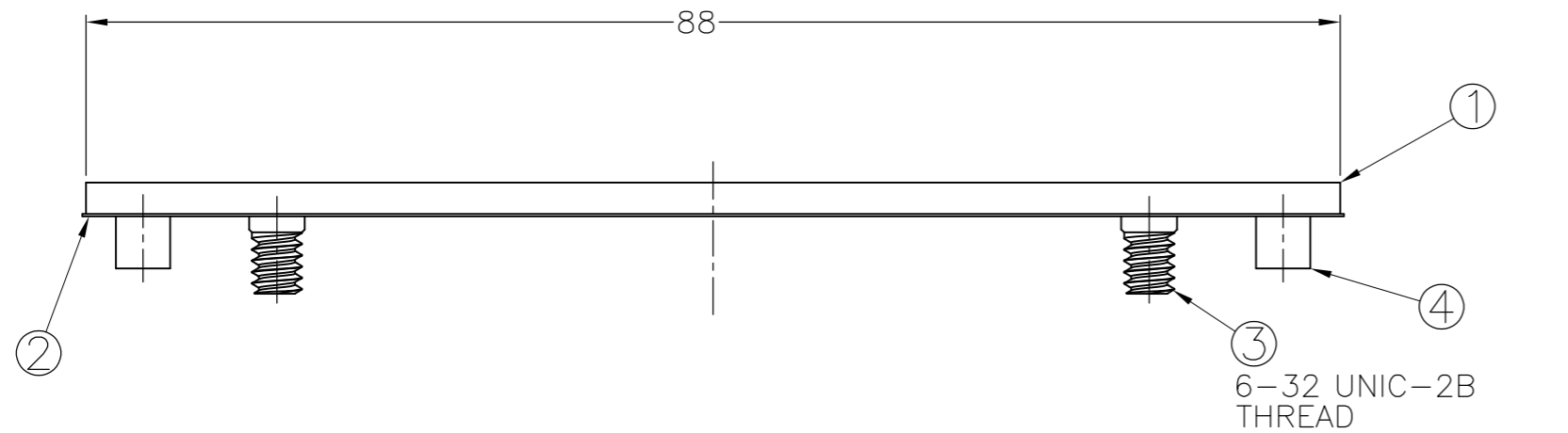
Email & Skype: info@chipsmall.com Web: www.chipsmall.com

Address: A1208, Overseas Decoration Building, #122 Zhenhua RD., Futian, Shenzhen, China

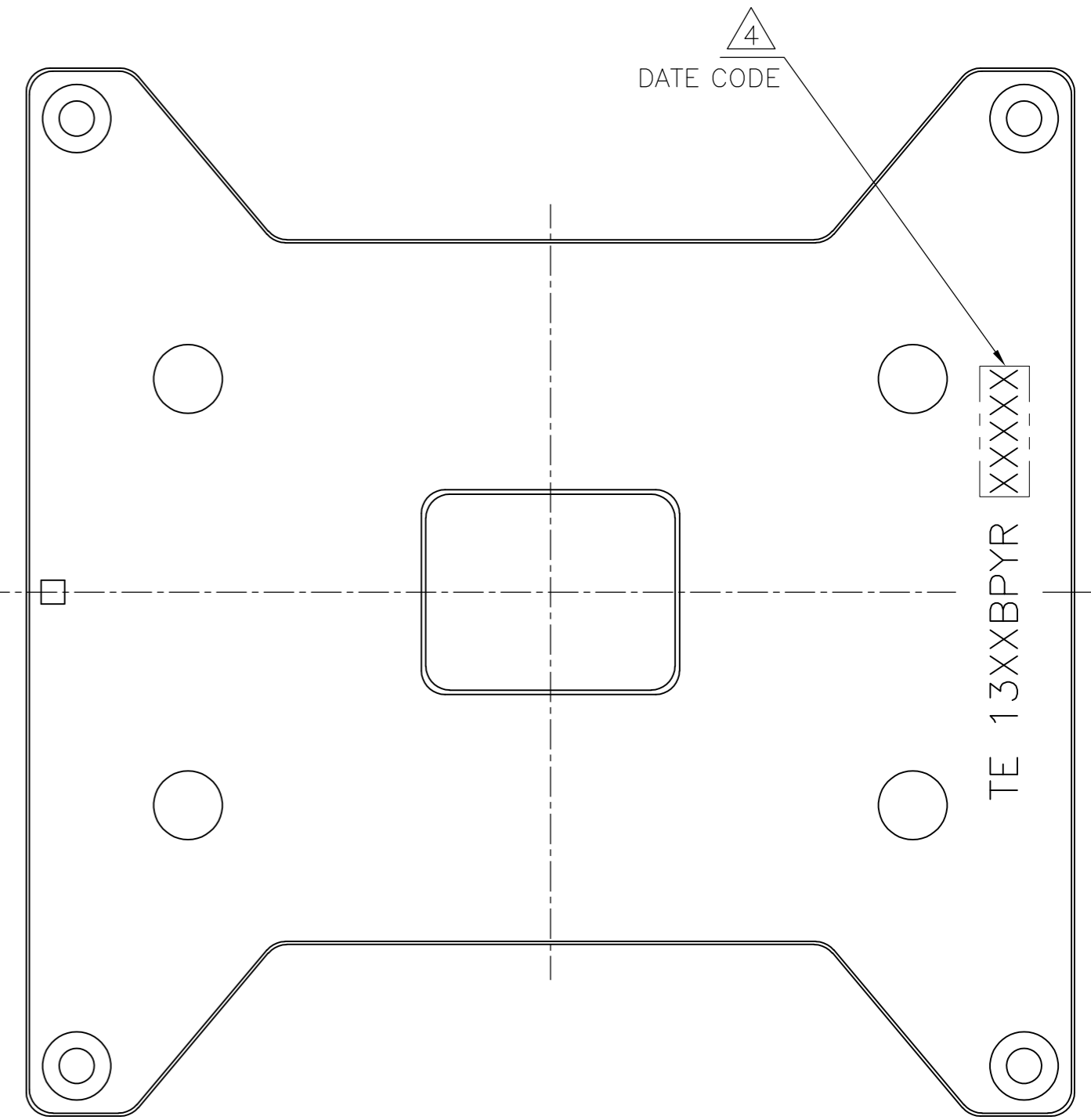


THIS DRAWING IS UNPUBLISHED. RELEASED FOR PUBLICATION
 © COPYRIGHT BY TYCO ELECTRONICS CORPORATION. ALL INTERNATIONAL RIGHTS RESERVED.

LOC	DIST	REVISONS					
		P	LTR	DESCRIPTION	DATE	DWN	APVD
		H		REVISED	27SEP'10	S.A	S.H



- MATERIAL
 - ① STIFFENER PLATE: STEEL
FINISH: NICKEL PLATING
 - ② INSULATOR: POLYCARBONATE FILM PLUS ACRYLIC ADHESIVE LAYER
 - ③ STUD BOLT: STEEL
FINISH: NICKEL PLATING
 - ④ FEMALE NUT: SUS
- ASSEMBLED WITH ILM ASSY (DRAWING NUMBER: 1939738)
 - ⚠ THE STUD BOLTS AND FEMALE NUTS SHALL BE ADAPTED TO PCB LAYOUT FOR SOCKET ASSY LGA1366 OR SOCKET ASSY LGA1356 (DRAWING NUMBER: 1981837 OR 1554116)
 - ⚠ INDICATED DATE CODE ON THE STIFFENER PLATE



1981467-1
PART NUMBER

THIS DRAWING IS A CONTROLLED DOCUMENT.		DWN H.TAGUCHI 22SEP2008	Tyco Electronics Corporation Kawasaki, Japan	
DIMENSIONS: 単位: 寸 mm		CHK S.HASHIMOTO 17DEC2007	NAME 名称 STIFFENER PLATE ASSY (SERVER BACKPLATE) LGA13XX	
TOLERANCES UNLESS OTHERWISE SPECIFIED: 一般公差		APVD S.HASHIMOTO 17DEC2007	SIZE A2	CAGE CODE 00779
0 PLC ±		PRODUCT SPEC 製品規格	DRAWING NO 番号 C=1981467	RESTRICTED TO -
1 PLC ± ±0.3		APPLICATION SPEC 取付適用規格	WEIGHT 104g	SCALE 2:1
2 PLC ± ±3		FINISH 仕上	CUSTOMER DRAWING	SHEET 1 OF 1
3 PLC ±				REV H
4 PLC ±				
ANGLES ±				

1981467-1 : AS SHOWN