



Chipsmall Limited consists of a professional team with an average of over 10 year of expertise in the distribution of electronic components. Based in Hongkong, we have already established firm and mutual-benefit business relationships with customers from,Europe,America and south Asia,supplying obsolete and hard-to-find components to meet their specific needs.

With the principle of “Quality Parts,Customers Priority,Honest Operation,and Considerate Service”,our business mainly focus on the distribution of electronic components. Line cards we deal with include Microchip,ALPS,ROHM,Xilinx,Pulse,ON,Everlight and Freescale. Main products comprise IC,Modules,Potentiometer,IC Socket,Relay,Connector.Our parts cover such applications as commercial,industrial, and automotives areas.

We are looking forward to setting up business relationship with you and hope to provide you with the best service and solution. Let us make a better world for our industry!



Contact us

Tel: +86-755-8981 8866 Fax: +86-755-8427 6832

Email & Skype: info@chipsmall.com Web: www.chipsmall.com

Address: A1208, Overseas Decoration Building, #122 Zhenhua RD., Futian, Shenzhen, China



4

3

2

1

THIS DRAWING IS UNPUBLISHED. RELEASED FOR PUBLICATION
 © COPYRIGHT BY TYCO ELECTRONICS CORPORATION. ALL RIGHTS RESERVED.

LOC	DIST	REVISIONS					
J		P	LTR	DESCRIPTION	DATE	DWN	APVD
		A		RELEASED	17APR2008	M.K	T.Y

PANEL CUT DIMENSIONS(VIEW B)

NOTE
 1 GENERAL TOLERANCE : ±0.3, ±3°
 MATERIAL
 SIGNAL CONTACT : BRASS
 HOUSING : PBT G.F, UL94V-0, COLOR:BLACK

1981536-1:AS SHOWN

0.8/1.0/1.2
 DIMENSION "A"
 (PANEL THICKNESS)

THIS DRAWING IS A CONTROLLED DOCUMENT.		DWN M.KATO 17APR2008	Tyco Electronics AMP K.K. Kawasaki, Japan	
DIMENSIONS: 単位: 概 mm		CHK T.YAMADA 17APR2008	REC. ASS'Y FOR 1.5mm PITCH MINI CT SNAP-FIT HYBRID DRAWER CONNECTOR 4-14Pos.	
TOLERANCES UNLESS OTHERWISE SPECIFIED: 一般公差		APVD T.YAMADA 17APR2008	NAME 番号	RESTRICTED TO
0 PLC ±		PRODUCT SPEC 製品規格 108-78473	SIZE CAGE CODE DRAWING NO 番号	
1 PLC ±		APPLICATION SPEC 取付適用規格	A3 00779	C-1981536
2 PLC ±		WEIGHT	SCALE 尺度 2:1 SHEET 1 OF 2 REV A	
3 PLC ±		CUSTOMER DRAWING		
4 PLC ±				
ANGLES ±				
FINISH 仕上				
MATERIAL 材料				

AMP 1470-19 REV 31MAR2000

THIS DRAWING IS UNPUBLISHED.

RELEASED FOR PUBLICATION

© COPYRIGHT BY TYCO ELECTRONICS CORPORATION. ALL RIGHTS RESERVED.

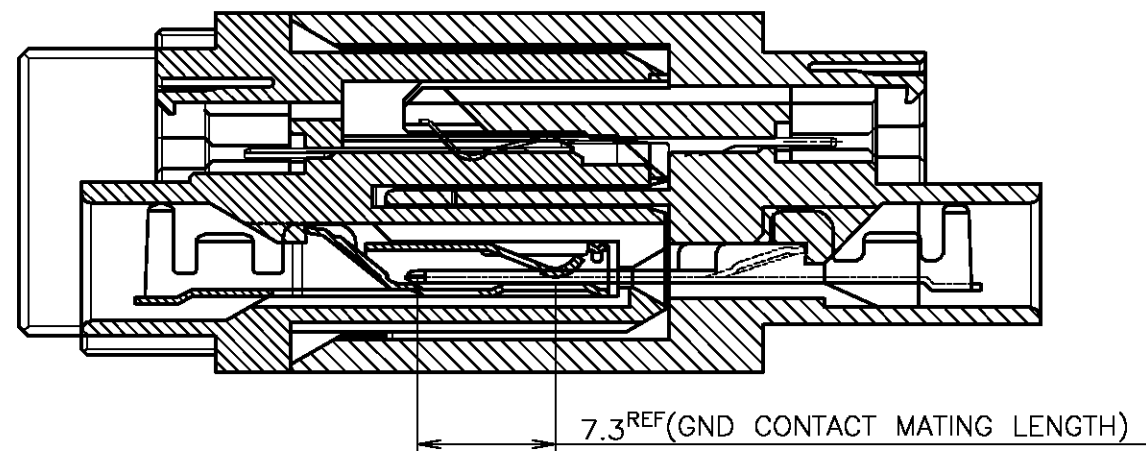
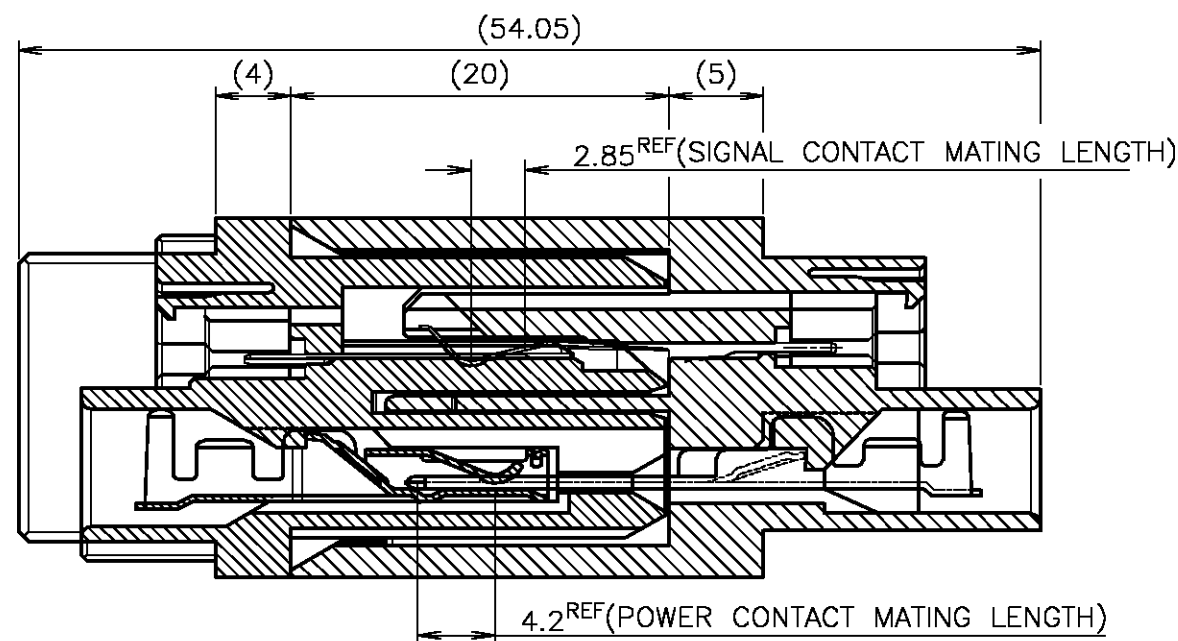
LOC J DIST

REVISIONS

変更

P	LTR	DESCRIPTION	DATE	DWN	APVD
-	-	SEE SHEET 1	-	-	-

DIMENSIONS ARE REFERENCE ONLY.



THIS DRAWING IS A CONTROLLED DOCUMENT.		DWN	Tyco Electronics AMP K.K. Kawasaki, Japan	
DIMENSIONS: 単位: 桁 mm		CHK	NAME 名称 REC. ASS'Y FOR 1.5mm PITCH MINI CT SNAP-FIT HYBRID DRAWER CONNECTOR	
TOLERANCES UNLESS OTHERWISE SPECIFIED: 一般公差		APVD	PRODUCT SPEC 製品規格	
0 PLC ±		APPLICATION SPEC 取付適用規格	SIZE	CAGE CODE
1 PLC ±		WEIGHT	A3	00779
2 PLC ±		DRAWING NO 番号 C-1981536		RESTRICTED TO
3 PLC ±		CUSTOMER DRAWING		
4 PLC ±		SCALE 尺度	NTS	SHEET 2 OF 2
ANGLES ±		REV A		
MATERIAL 材料	FINISH 仕上			