



Chipsmall Limited consists of a professional team with an average of over 10 year of expertise in the distribution of electronic components. Based in Hongkong, we have already established firm and mutual-benefit business relationships with customers from,Europe,America and south Asia,supplying obsolete and hard-to-find components to meet their specific needs.

With the principle of "Quality Parts,Customers Priority,Honest Operation,and Considerate Service",our business mainly focus on the distribution of electronic components. Line cards we deal with include Microchip,ALPS,ROHM,Xilinx,Pulse,ON,Everlight and Freescale. Main products comprise IC,Modules,Potentiometer,IC Socket,Relay,Connector.Our parts cover such applications as commercial,industrial, and automotives areas.

We are looking forward to setting up business relationship with you and hope to provide you with the best service and solution. Let us make a better world for our industry!



## Contact us

Tel: +86-755-8981 8866 Fax: +86-755-8427 6832

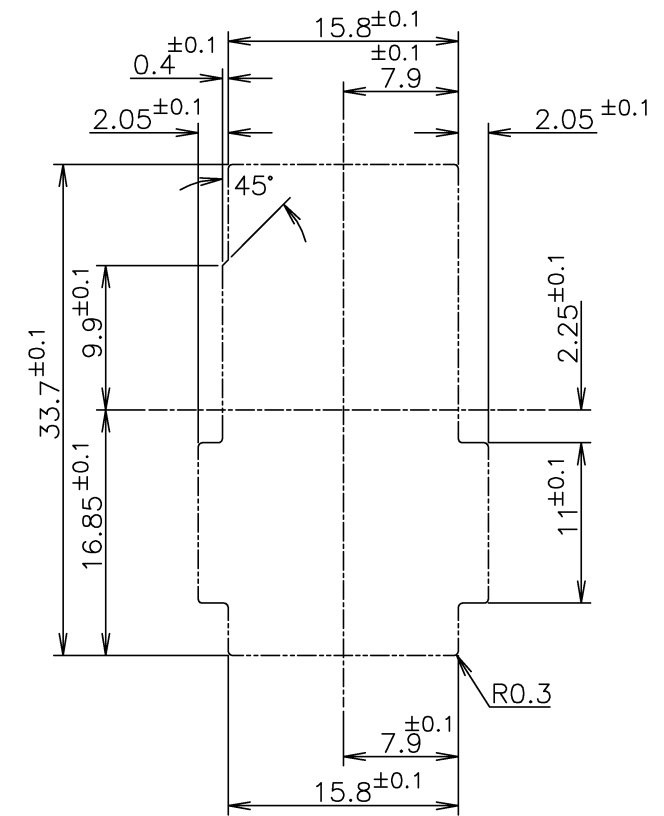
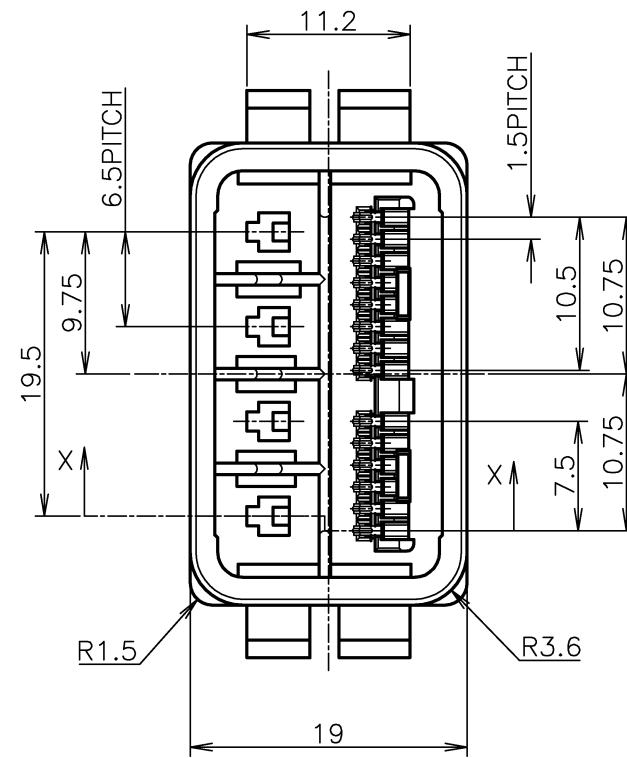
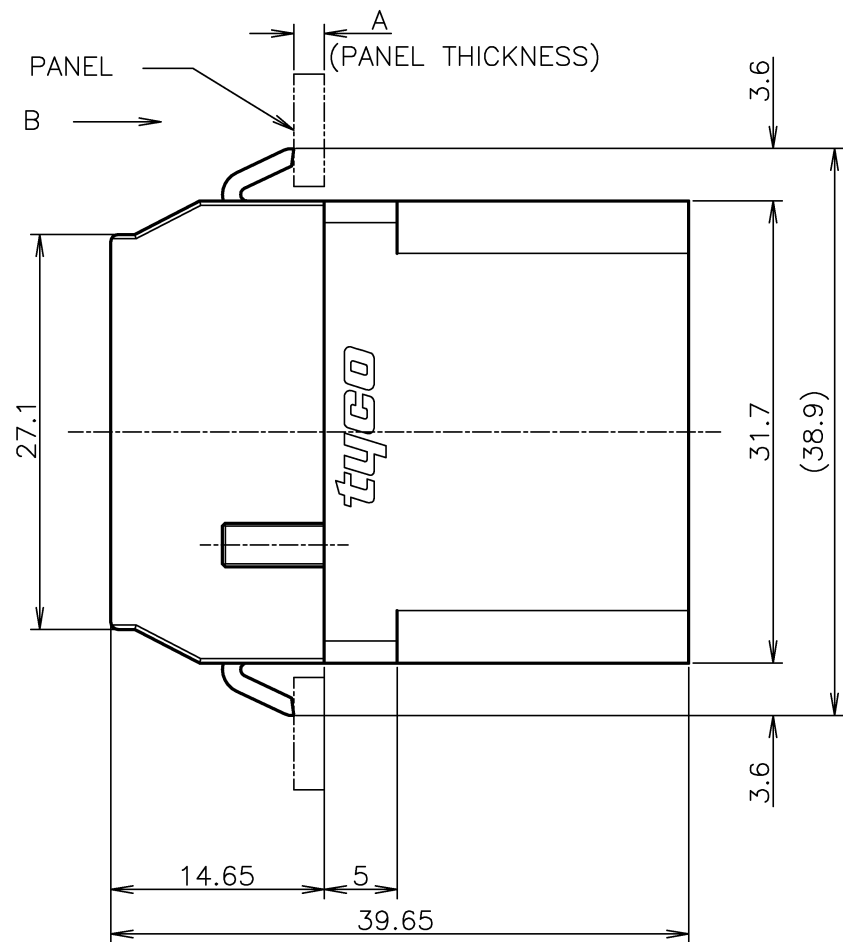
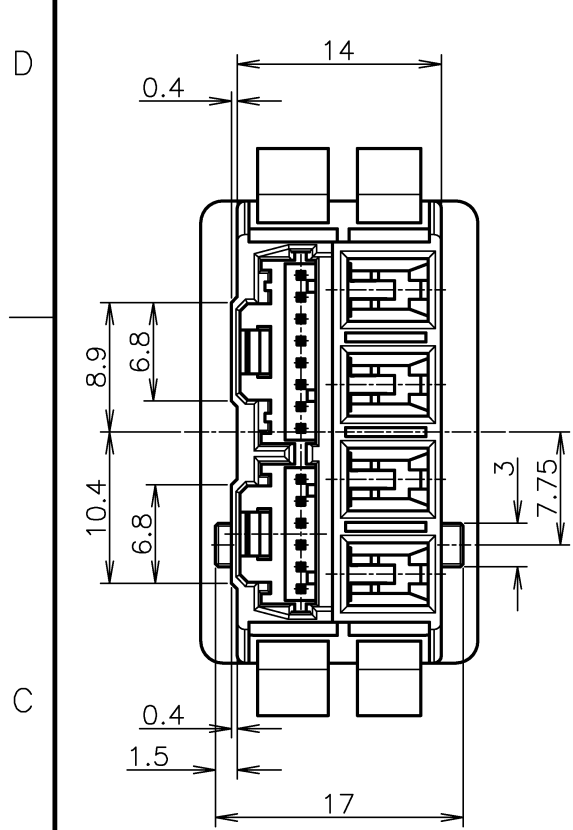
Email & Skype: info@chipsmall.com Web: www.chipsmall.com

Address: A1208, Overseas Decoration Building, #122 Zhenhua RD., Futian, Shenzhen, China

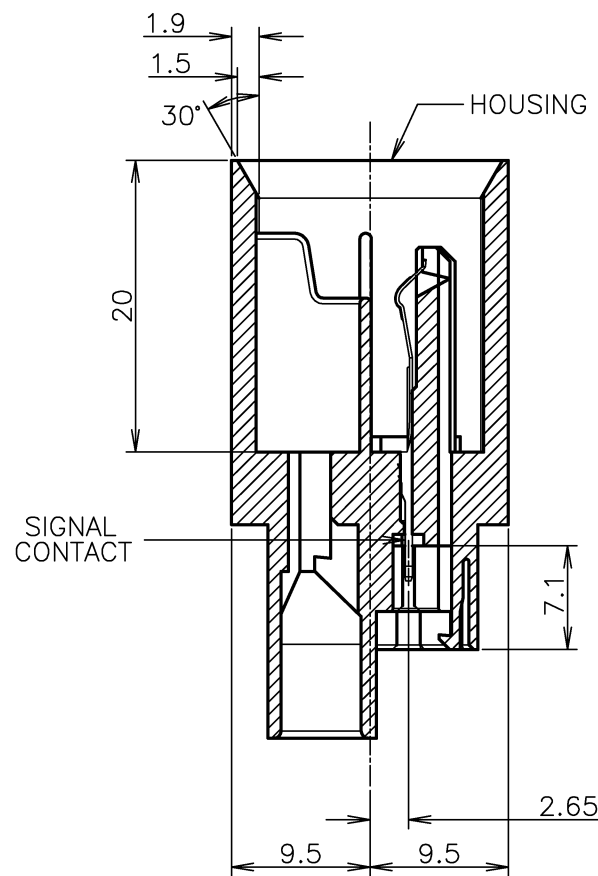


THIS DRAWING IS UNPUBLISHED. RELEASED FOR PUBLICATION  
 © COPYRIGHT BY TYCO ELECTRONICS CORPORATION. ALL RIGHTS RESERVED.

LOC	DIST	REVISIONS					
J		P	LTR	DESCRIPTION	DATE	DWN	APVD
		B		REVISED	05NOV2008	M.K	T.Y



PANEL CUT DIMENSION(VIEW B)



SEC. X-X

NOTE  
 1 GENERAL TOLERANCE : ±0.3, ±3°  
 2 MATERIAL  
 SIGNAL CONTACT : PHOSPHOR BRONZE  
 HOUSING : PBT G.F, UL94V-0, COLOR:BLACK

OPTION	1.0±0.1
OPTION	1.2±0.1
1981537-1	2.0±0.1
P/N	DIMENSION "A" (PANEL THICKNESS)

1981537-1:AS SHOWN

THIS DRAWING IS A CONTROLLED DOCUMENT.		DWN M.KATO 17APR2008	Tyco Electronics AMP K.K. Kawasaki, Japan	
DIMENSIONS: 単位: 特 mm		CHK T.YAMADA 17APR2008	NAME 名称 PLUG ASS'Y FOR 1.5mm PITCH MINI CT SNAP-FIT HYBRID DRAWER CONNECTOR 4-14Pos.	
TOLERANCES UNLESS OTHERWISE SPECIFIED: 一般公差		APVD T.YAMADA 17APR2008	PRODUCT SPEC 製品規格 108-78473	
0 PLC ± 1 PLC ± 2 PLC ± 3 PLC ± 4 PLC ± ANGLES ±		APPLICATION SPEC 取付適用規格	SIZE A3	CAGE CODE 00779
MATERIAL 材料		FINISH 仕上	DRAWING NO 番号 1981537	
		WEIGHT	RESTRICTED TO	
		CUSTOMER DRAWING	SCALE 尺度 2:1	
			SHEET 1 OF 1	
			REV B	