



Chipsmall Limited consists of a professional team with an average of over 10 year of expertise in the distribution of electronic components. Based in Hongkong, we have already established firm and mutual-benefit business relationships with customers from,Europe,America and south Asia,supplying obsolete and hard-to-find components to meet their specific needs.

With the principle of “Quality Parts,Customers Priority,Honest Operation,and Considerate Service”,our business mainly focus on the distribution of electronic components. Line cards we deal with include Microchip,ALPS,ROHM,Xilinx,Pulse,ON,Everlight and Freescale. Main products comprise IC,Modules,Potentiometer,IC Socket,Relay,Connector.Our parts cover such applications as commercial,industrial, and automotives areas.

We are looking forward to setting up business relationship with you and hope to provide you with the best service and solution. Let us make a better world for our industry!



Contact us

Tel: +86-755-8981 8866 Fax: +86-755-8427 6832

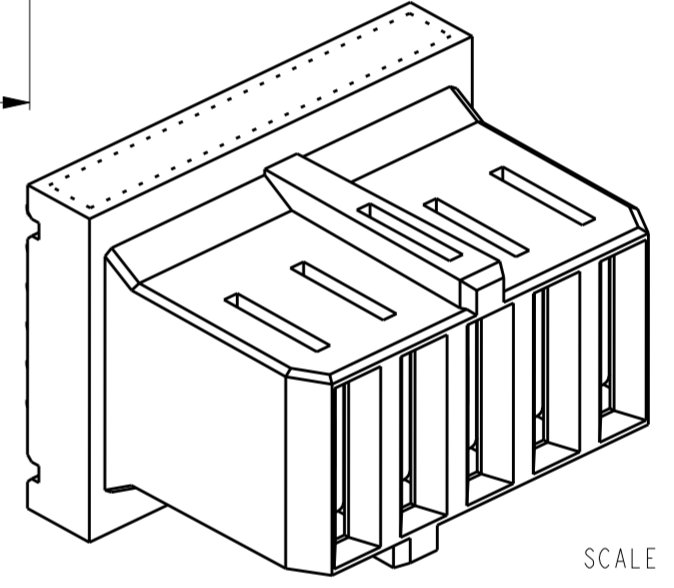
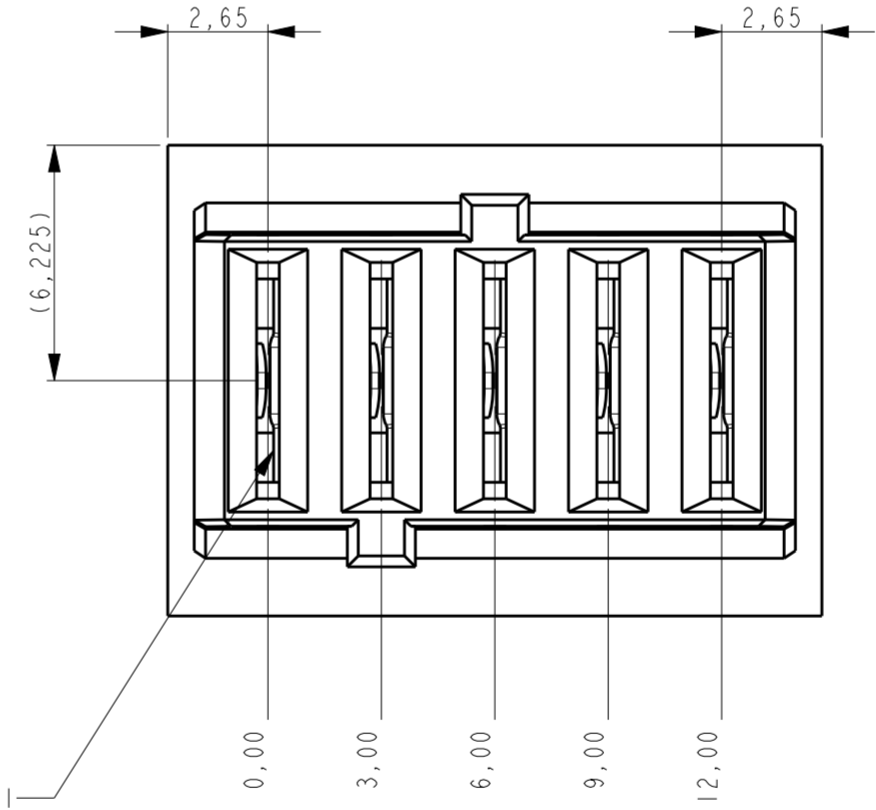
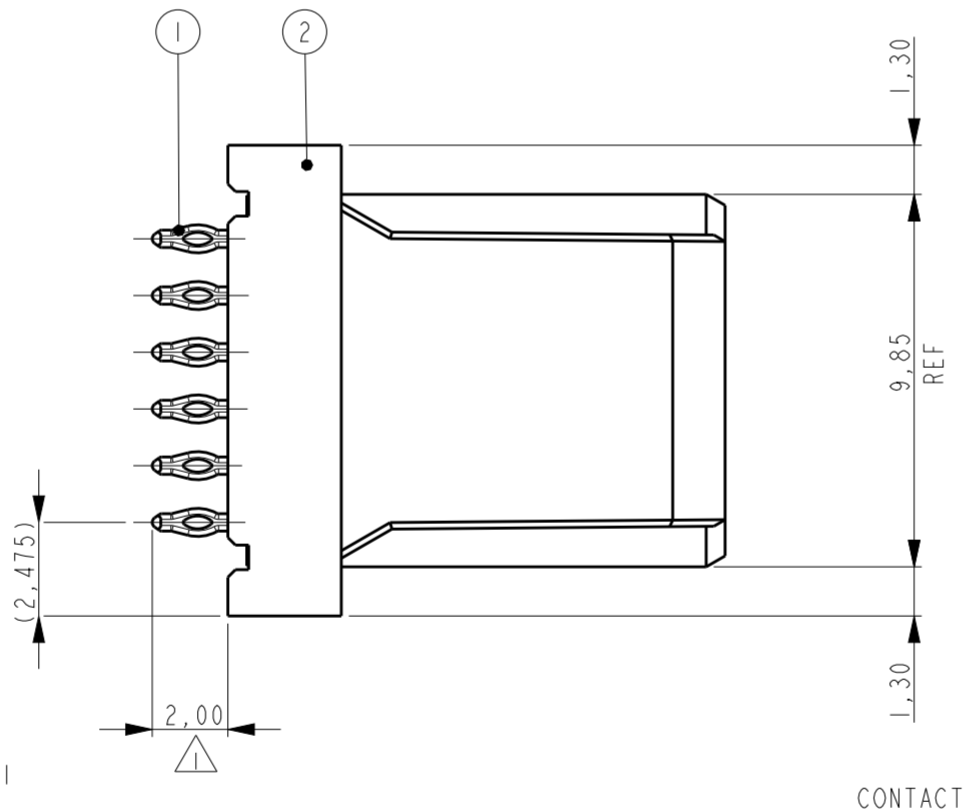
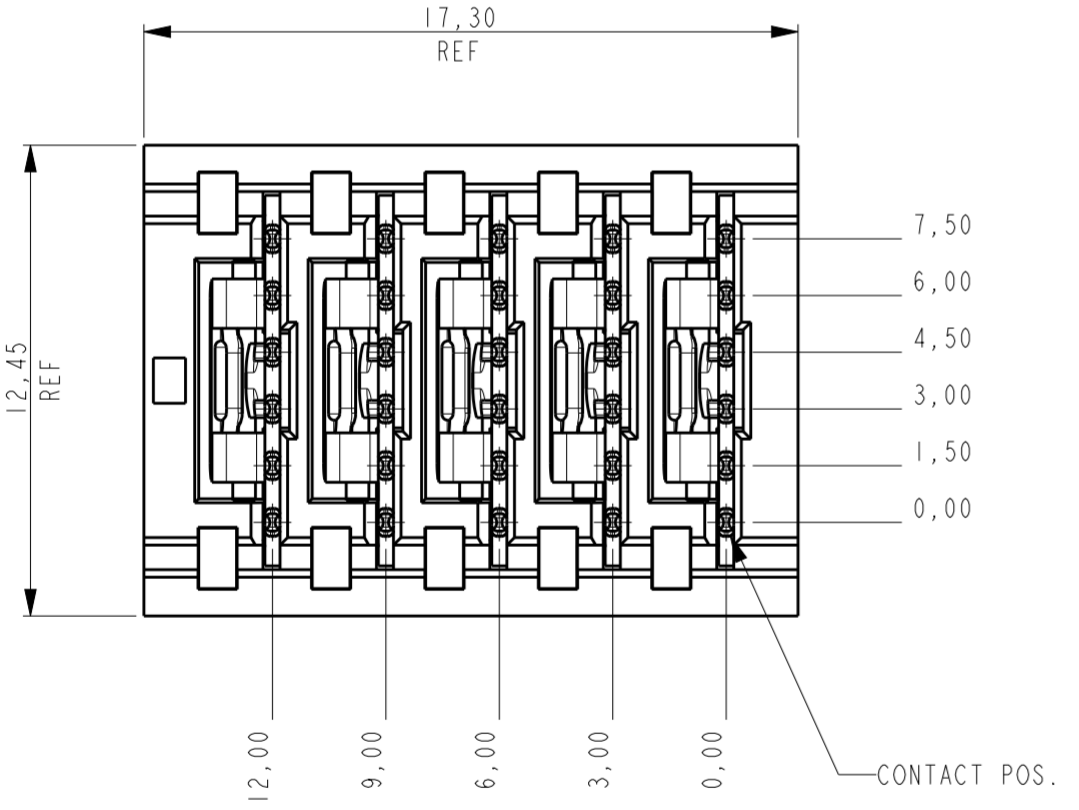
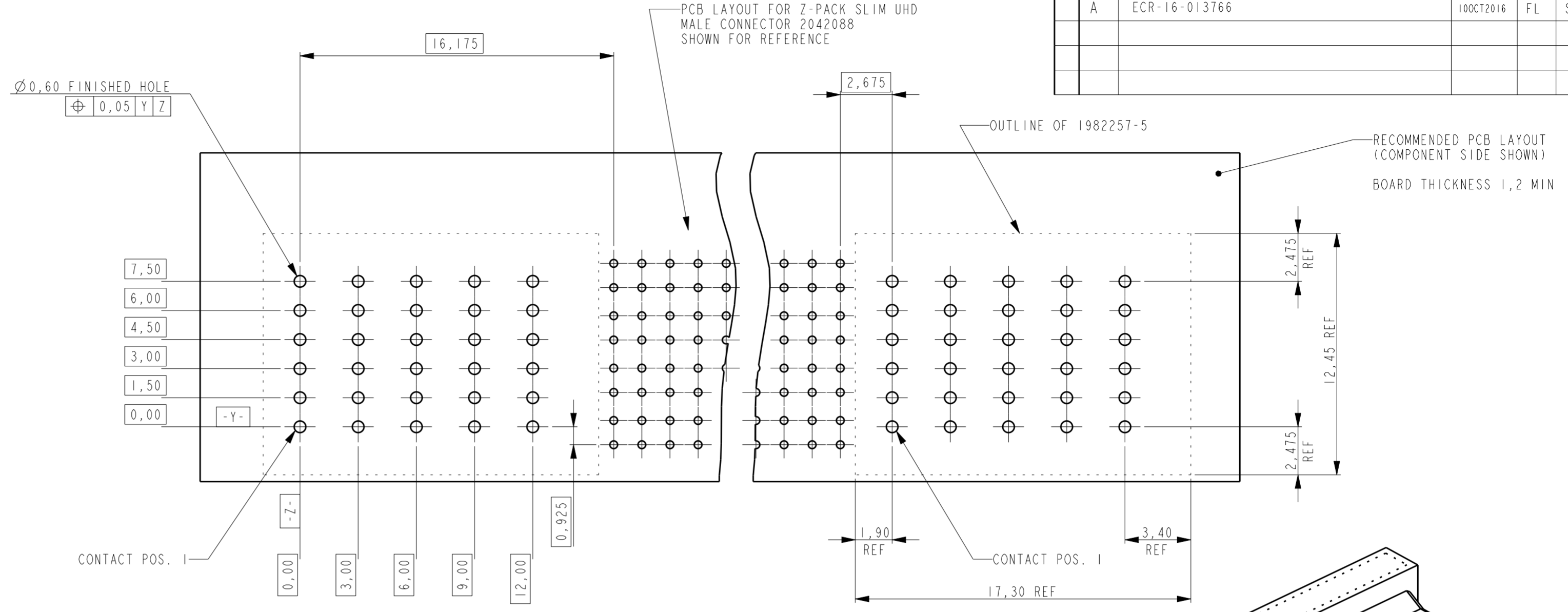
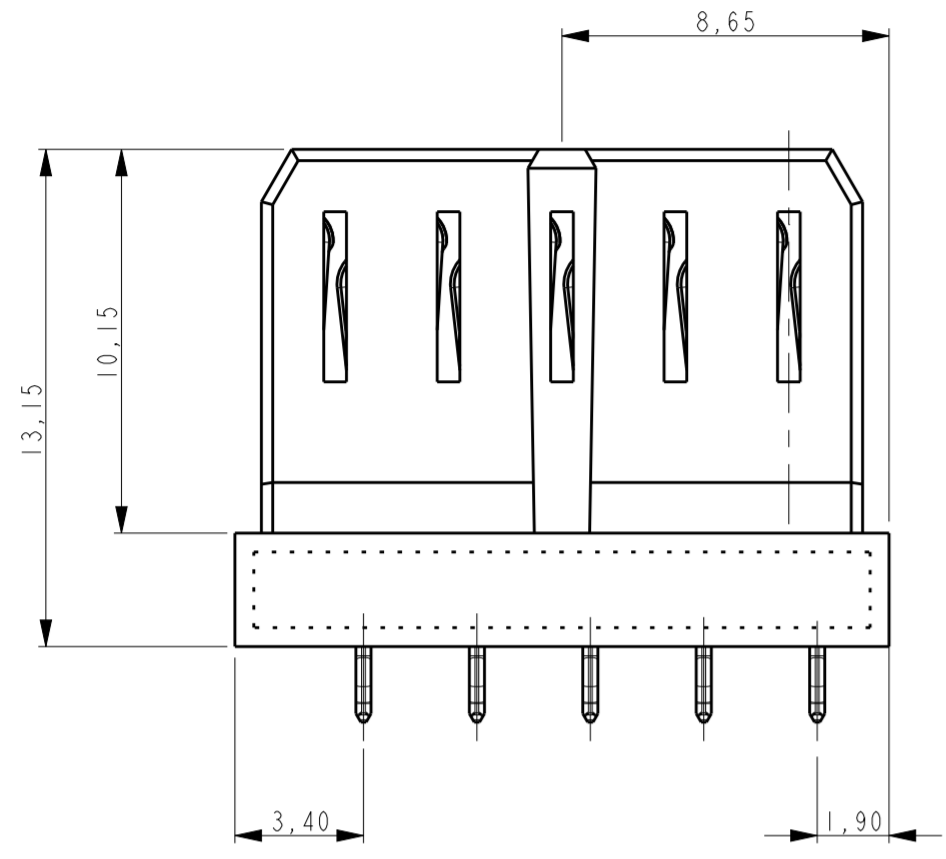
Email & Skype: info@chipsmall.com Web: www.chipsmall.com

Address: A1208, Overseas Decoration Building, #122 Zhenhua RD., Futian, Shenzhen, China

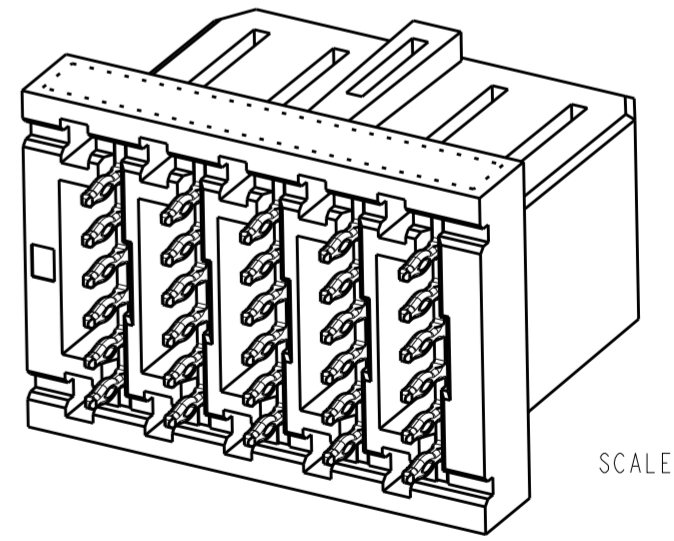


THIS DRAWING IS UNPUBLISHED. RELEASED FOR PUBLICATION
 © COPYRIGHT - BY TYCO ELECTRONICS CORPORATION. ALL RIGHTS RESERVED.

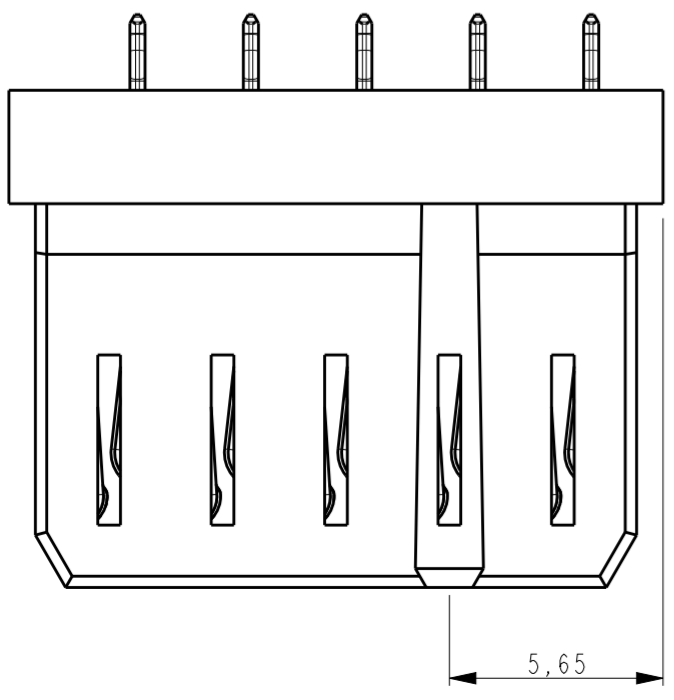
LOC		DIST		REVISIONS			
P	LTR	DESCRIPTION	DATE	DWN	APVD		
A		ECR-16-013766	10OCT2016	FL	SY		



SCALE 4:1



SCALE 4:1



NOTES:
 1 PLATING: 0,5µm MIN. TIN OVER NICKEL.
 2 PLATING IN CONTACT AREA
 1,27 µm MIN. Au OVER 1,27µm MIN. Ni

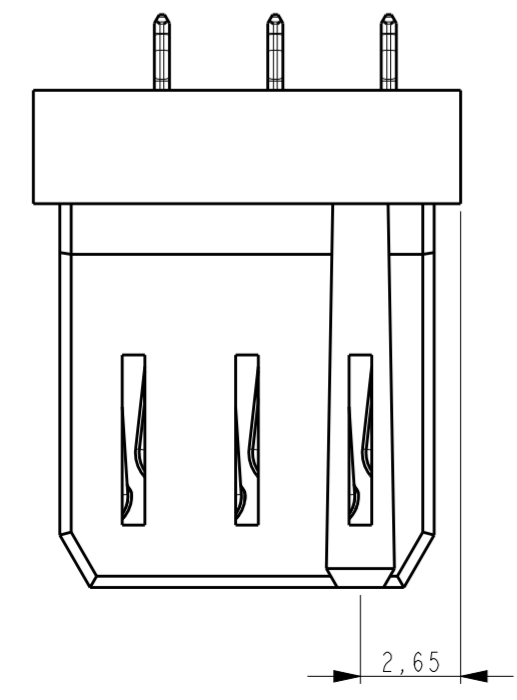
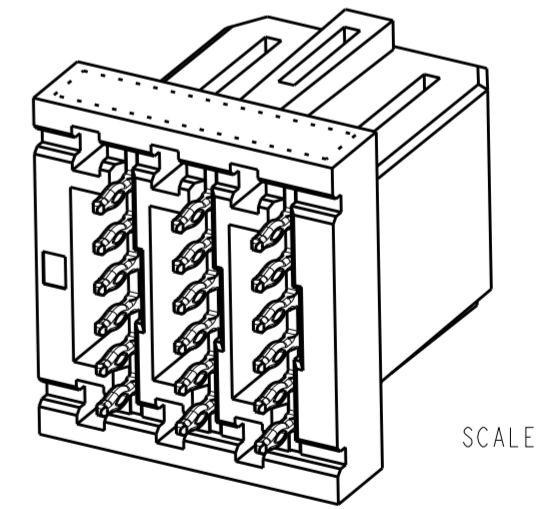
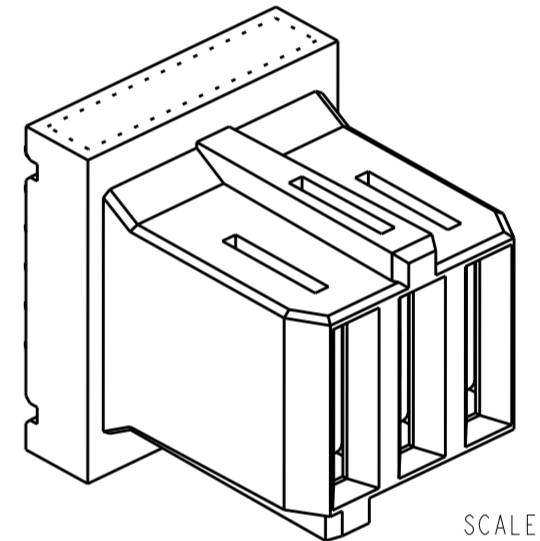
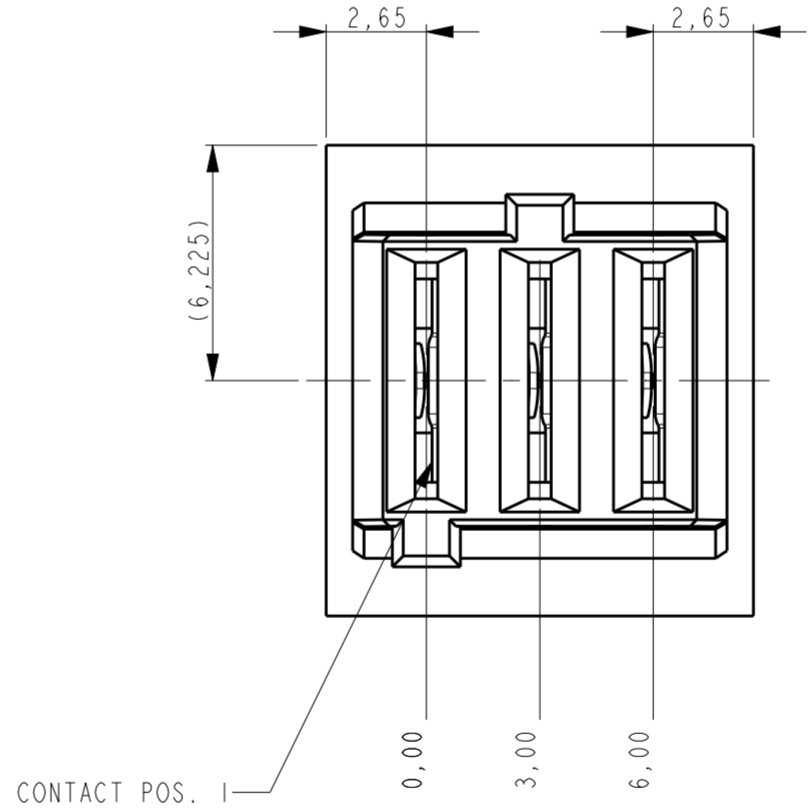
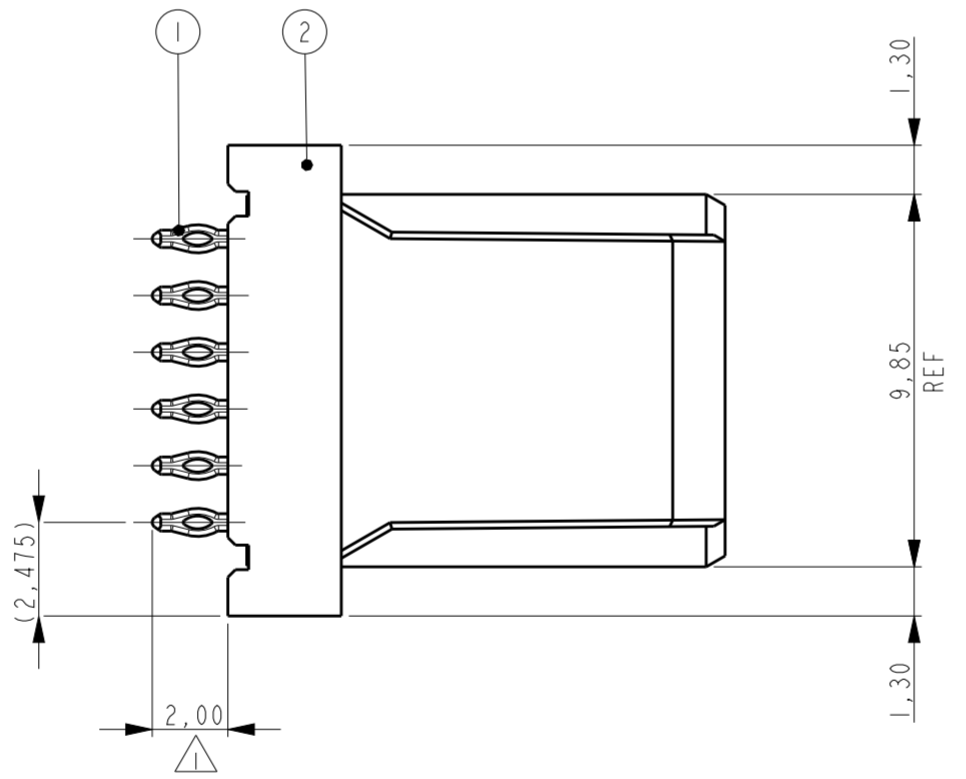
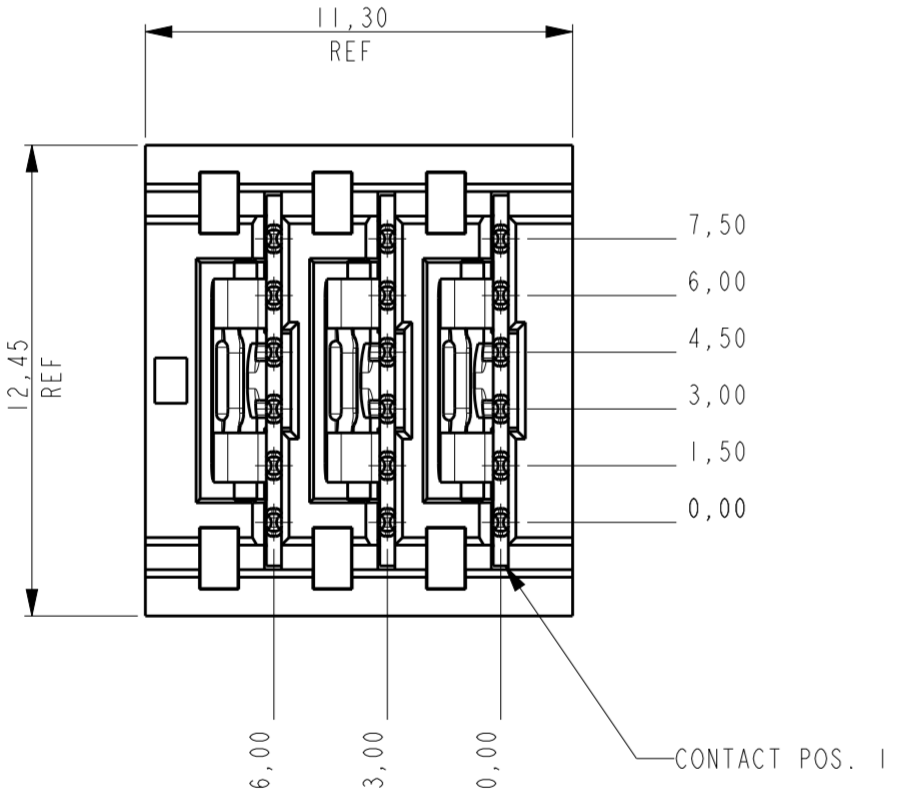
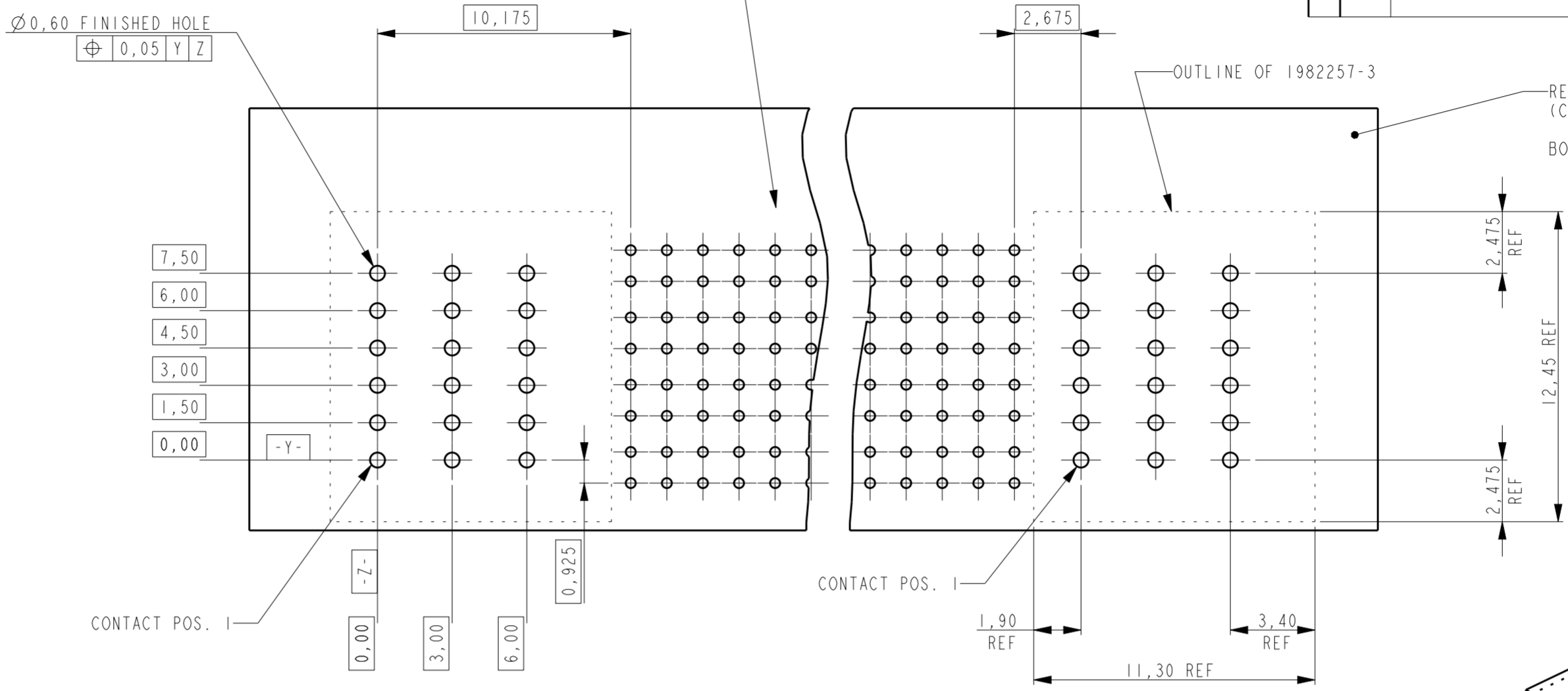
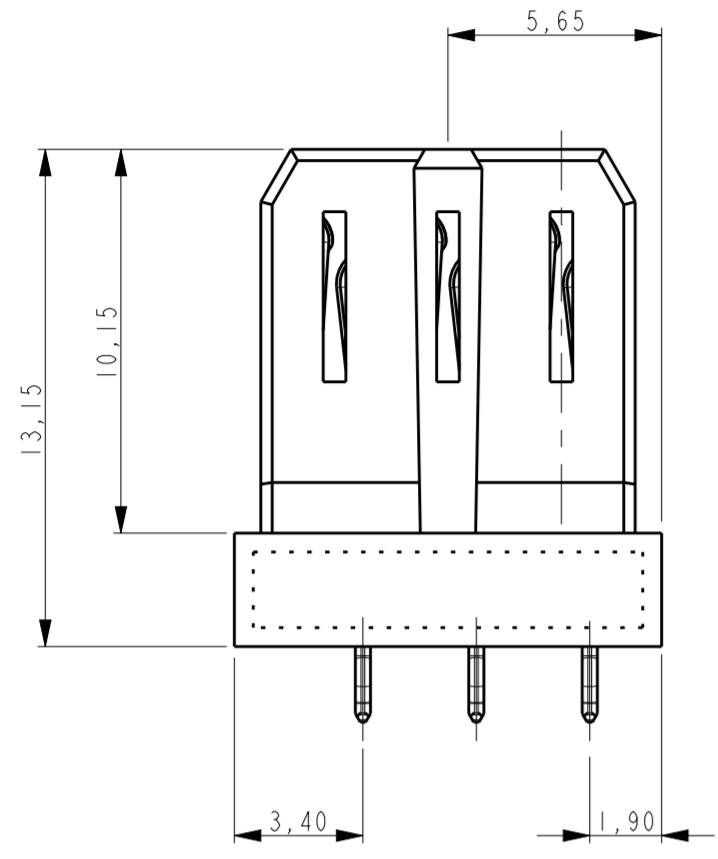
THIS DRAWING IS A CONTROLLED DOCUMENT FOR TYCO ELECTRONICS CORPORATION
 IT IS SUBJECT TO CHANGE AND THE CONTROLLING ENGINEERING ORGANIZATION
 SHOULD BE CONTACTED FOR THE LATEST REVISION.

DIMENSIONS:	TOLERANCES UNLESS OTHERWISE SPECIFIED:	DWN	28-MAY-08
mm	0 PLC ±	CHK	R. VOS
	1 PLC ±0,1	CHK	R. DAAMEN
	2 PLC ±0,05	APVD	R. V. D. SANDT
	3 PLC ±0,025	PRODUCT SPEC	108-19367
	4 PLC ±	APPLICATION SPEC	114-19122
MATERIAL	ANGLES ±2°	WEIGHT	-
	FINISH	CUSTOMER DRAWING	

2	RECEPTACLE HOUSING	LCP 30% GF NATURAL
1	RECEPTACLE CONTACT	COPPER ALLOY
ITEM NO.	DESCRIPTION	MATERIAL
Tyco Electronics Corporation 's-Hertogenbosch, Nederland		
NAME		
RECEPTACLE ASSEMBLY VERTICAL Z-PACK SLIM UHD POWER		
SIZE	CAGE CODE	DRAWING NO
A2	00779	C-1982257
RESTRICTED TO		
SCALE 5:1		SHEET 1 OF 2
		REV A

THIS DRAWING IS UNPUBLISHED. RELEASED FOR PUBLICATION
 © COPYRIGHT - BY TYCO ELECTRONICS CORPORATION. ALL RIGHTS RESERVED.

LOC		DIST		REVISIONS			
P	LTR	DESCRIPTION	DATE	DWN	APVD		
-	-	SEE SHEET 1	-	-	-		



NOTES:
 1 PLATING: 0,5µm MIN. TIN OVER NICKEL.
 2 PLATING IN CONTACT AREA
 1,27 µm MIN. Au OVER 1,27µm MIN. Ni

1982257-3 AS SHOWN

2	RECEPTACLE HOUSING	LCP 30% GF NATURAL
1	RECEPTACLE CONTACT	COPPER ALLOY
ITEM NO.	DESCRIPTION	MATERIAL
Tyco Electronics Corporation 's-Hertogenbosch, Nederland		
NAME RECEPTACLE ASSEMBLY VERTICAL Z-PACK SLIM UHD POWER		
SIZE	CAGE CODE	DRAWING NO
A2	00779	C-1982257
RESTRICTED TO		
CUSTOMER DRAWING		
SCALE	SHEET	REV
1:1	2 OF 2	A

THIS DRAWING IS A CONTROLLED DOCUMENT FOR TYCO ELECTRONICS CORPORATION IT IS SUBJECT TO CHANGE AND THE CONTROLLING ENGINEERING ORGANIZATION SHOULD BE CONTACTED FOR THE LATEST REVISION.		DWN J.VOS 28-MAY-08 CHK R.DAAMEN 28-MAY-08 APVD R.VD.SANDT PRODUCT SPEC 108-19367 APPLICATION SPEC 114-19122 WEIGHT - MATERIAL -
DIMENSIONS:	TOLERANCES UNLESS OTHERWISE SPECIFIED:	
mm	0 PLC ± 1 PLC ±0,1 2 PLC ±0,05 3 PLC ±0,025 4 PLC ± ANGLES ±2° FINISH	