



Chipsmall Limited consists of a professional team with an average of over 10 year of expertise in the distribution of electronic components. Based in Hongkong, we have already established firm and mutual-benefit business relationships with customers from,Europe,America and south Asia,supplying obsolete and hard-to-find components to meet their specific needs.

With the principle of “Quality Parts,Customers Priority,Honest Operation,and Considerate Service”,our business mainly focus on the distribution of electronic components. Line cards we deal with include Microchip,ALPS,ROHM,Xilinx,Pulse,ON,Everlight and Freescale. Main products comprise IC,Modules,Potentiometer,IC Socket,Relay,Connector.Our parts cover such applications as commercial,industrial, and automotives areas.

We are looking forward to setting up business relationship with you and hope to provide you with the best service and solution. Let us make a better world for our industry!



Contact us

Tel: +86-755-8981 8866 Fax: +86-755-8427 6832

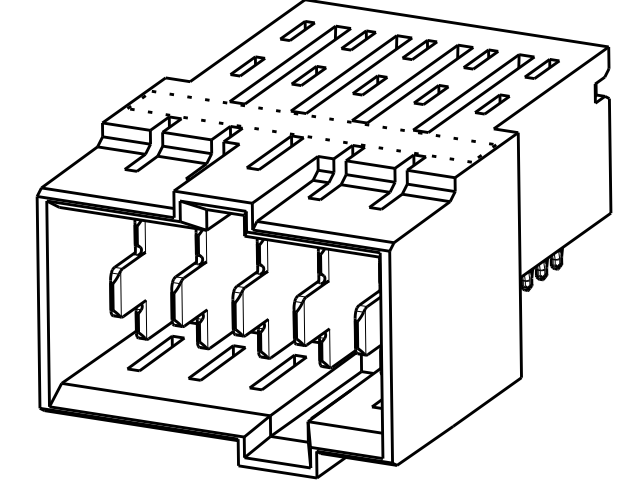
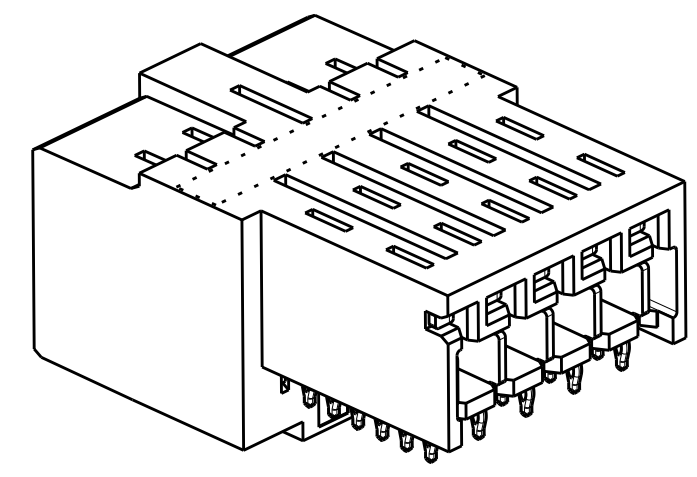
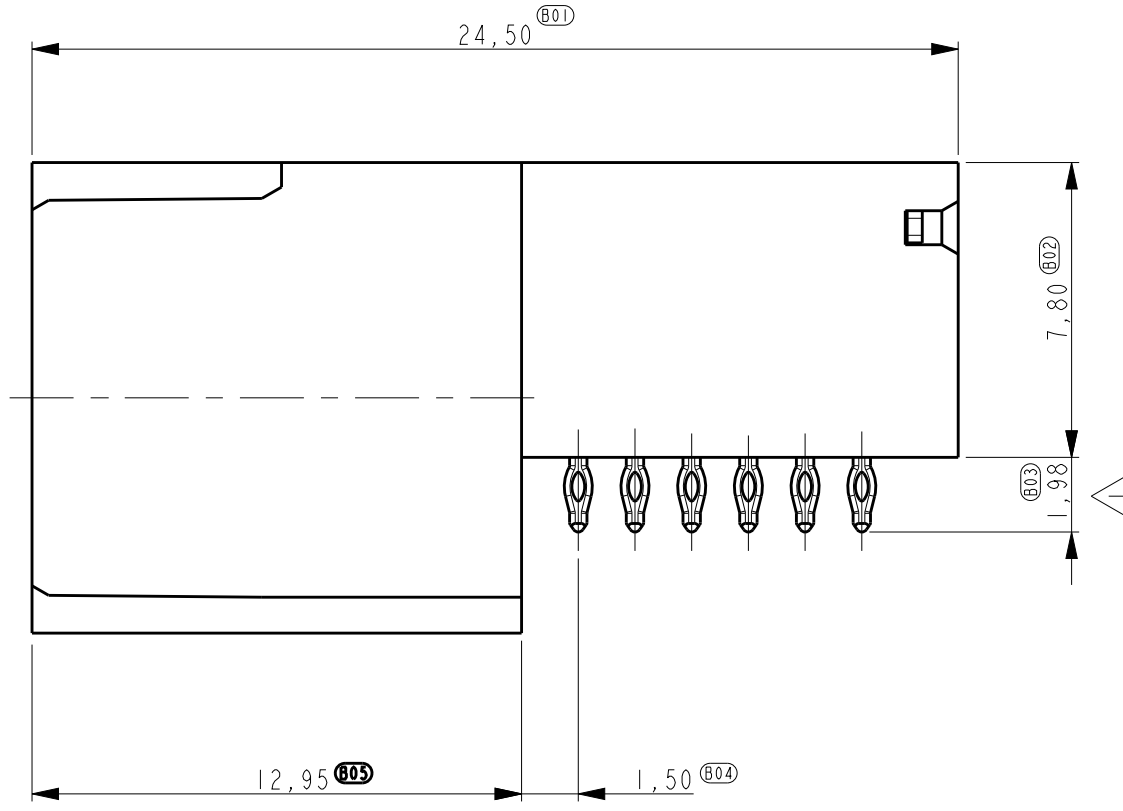
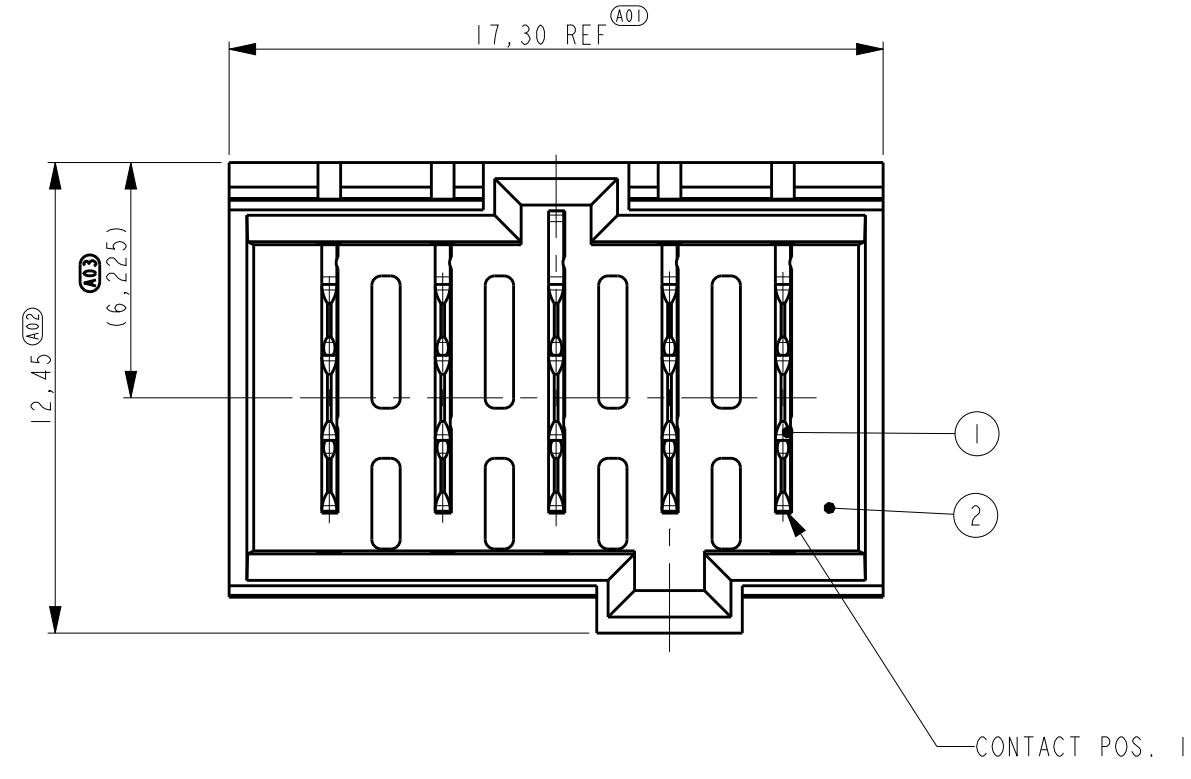
Email & Skype: info@chipsmall.com Web: www.chipsmall.com

Address: A1208, Overseas Decoration Building, #122 Zhenhua RD., Futian, Shenzhen, China



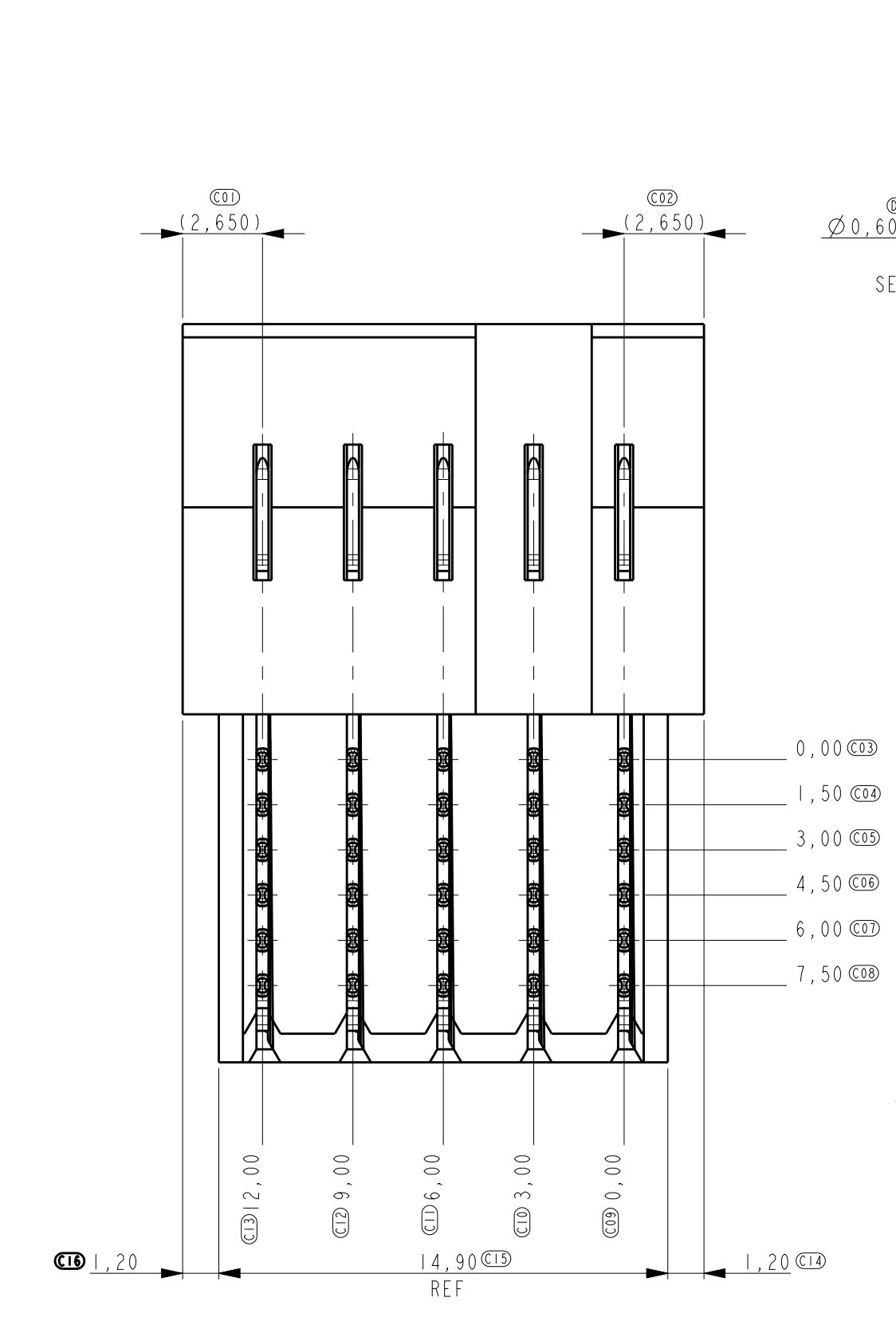
THIS DRAWING IS UNPUBLISHED. RELEASED FOR PUBLICATION
 © COPYRIGHT - BY TYCO ELECTRONICS CORPORATION. ALL RIGHTS RESERVED.

LOC	DIST	REVISIONS					
H	-	P	LTR	DESCRIPTION	DATE	DWN	APVD
		A		ECR-16-013766	10OCT2016	FL	SY

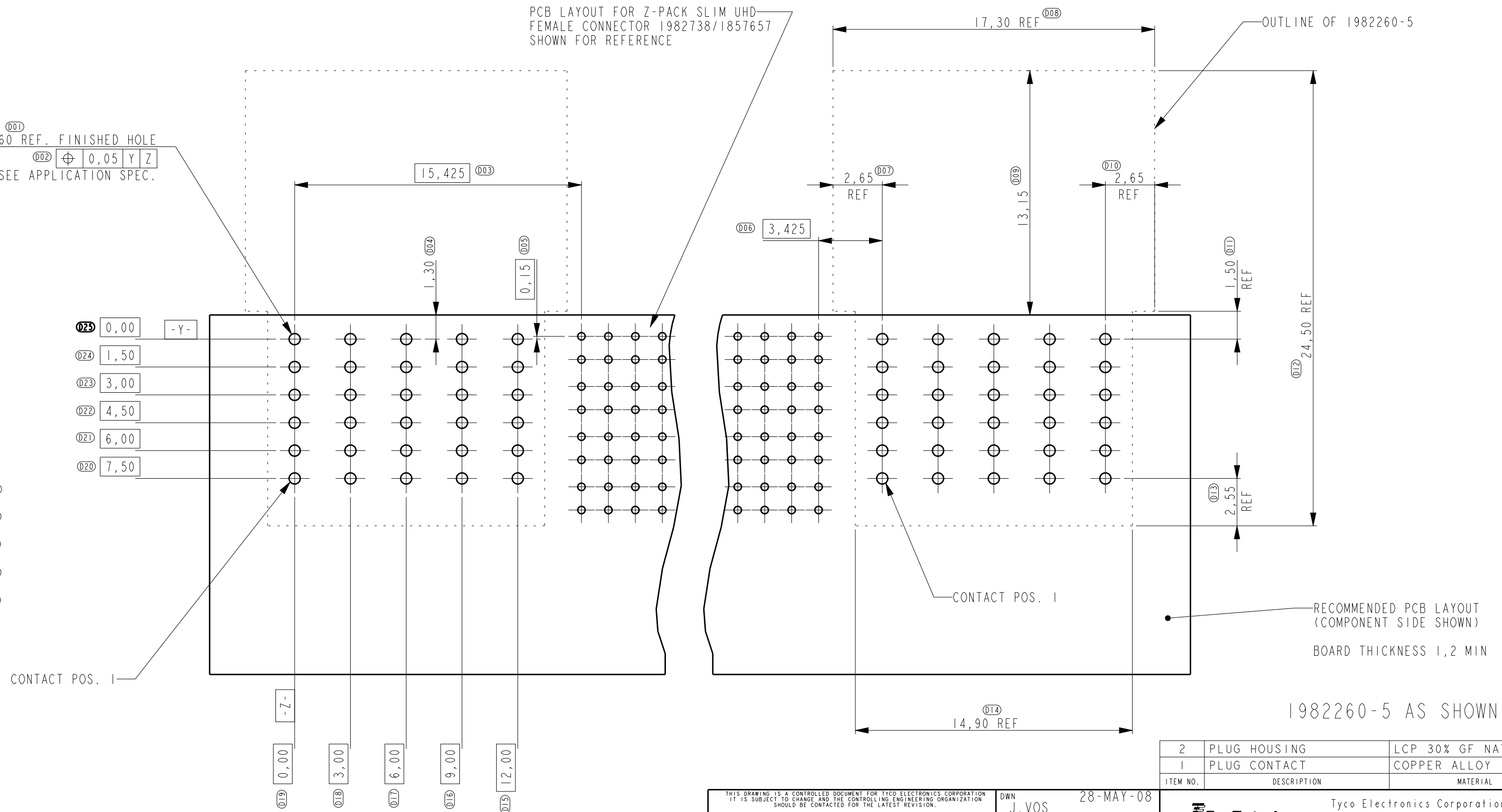


SCALE 3:1

SCALE 3:1



Ø 0,60 REF. FINISHED HOLE
 0,05 Y Z
 SEE APPLICATION SPEC.



PCB LAYOUT FOR Z-PACK SLIM UHD
 FEMALE CONNECTOR 1982738/1857657
 SHOWN FOR REFERENCE

1982260-5 AS SHOWN

NOTES:
 1 PLATING: 0,5µm MIN. TIN OVER NICKEL.
 2 PLATING IN CONTACT AREA
 1,27 µm MIN. Au OVER 1,27µm MIN. Ni

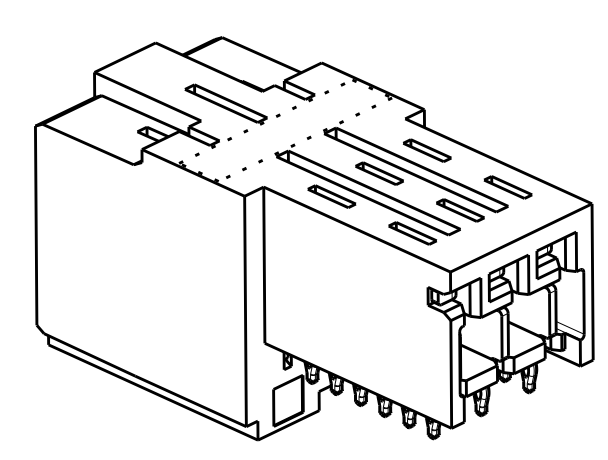
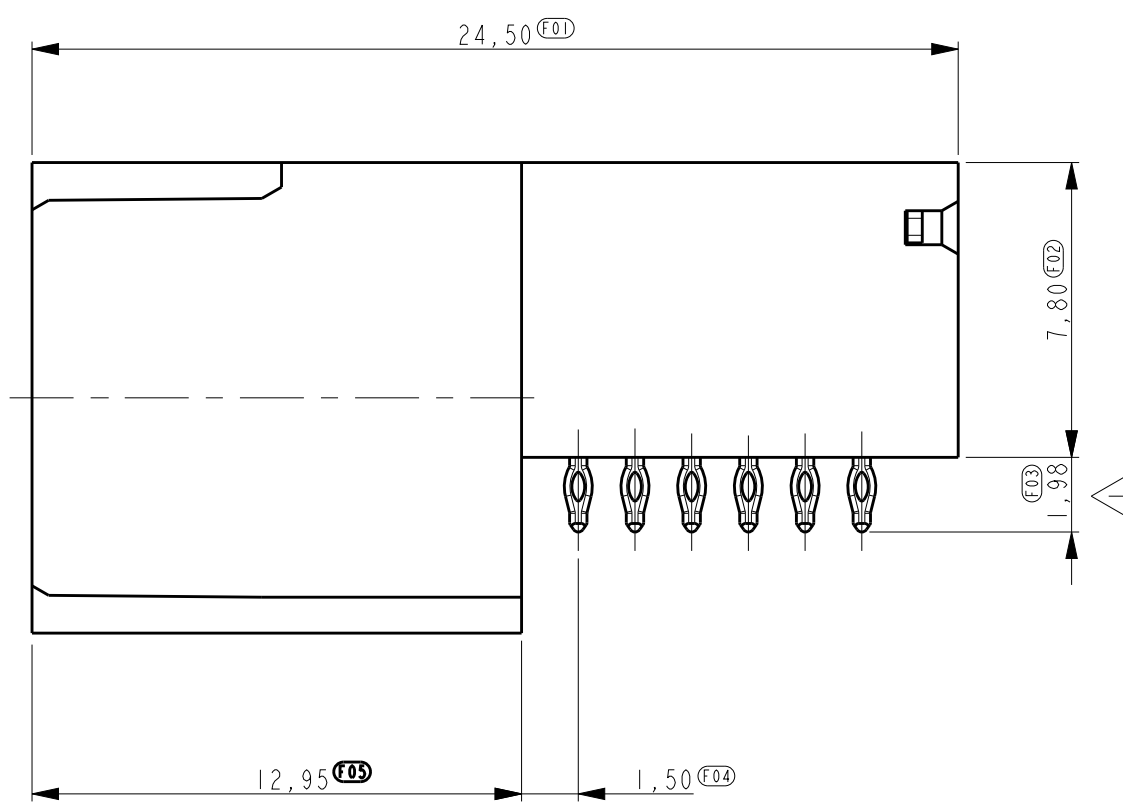
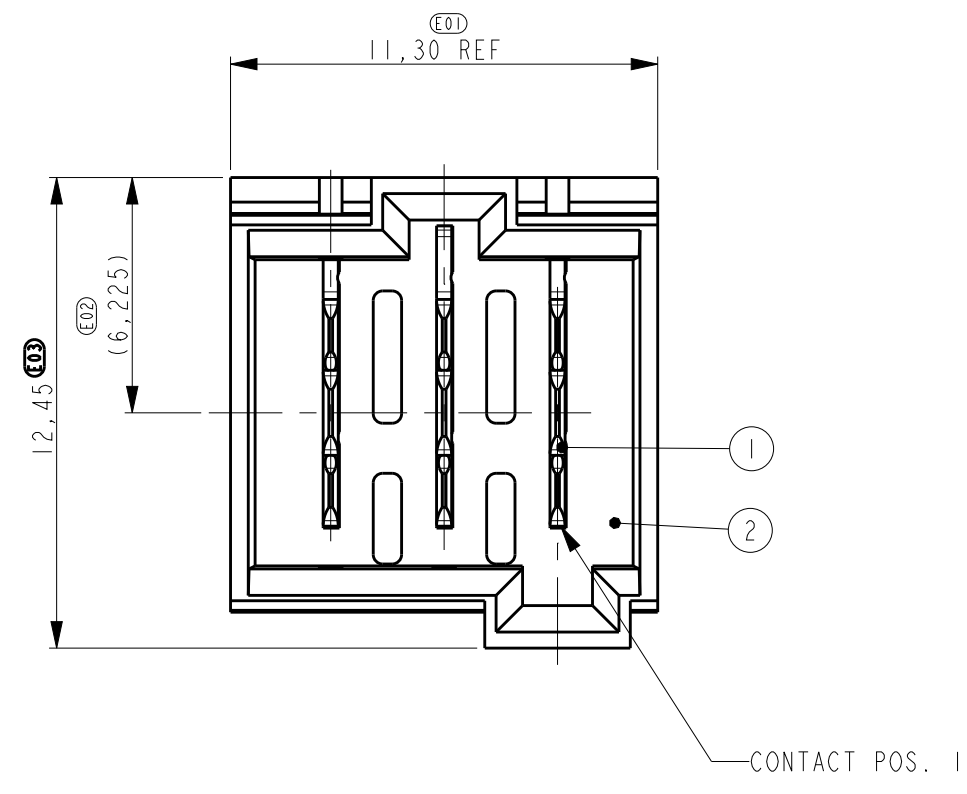
DIMENSIONS:		TOLERANCES UNLESS OTHERWISE SPECIFIED:	
mm		0 PLC	±
		1 PLC	±0,1
		2 PLC	±0,05
		3 PLC	±0,025
		4 PLC	±
		ANGLES	±2°
MATERIAL	FINISH		

DWN	J.VOS	28-MAY-08
CHK	R.DAAMEN	28-MAY-08
APVD	R.VD.SANDT	-
PRODUCT SPEC	108-19367	
APPLICATION SPEC	114-19122	
WEIGHT	-	
CUSTOMER DRAWING		

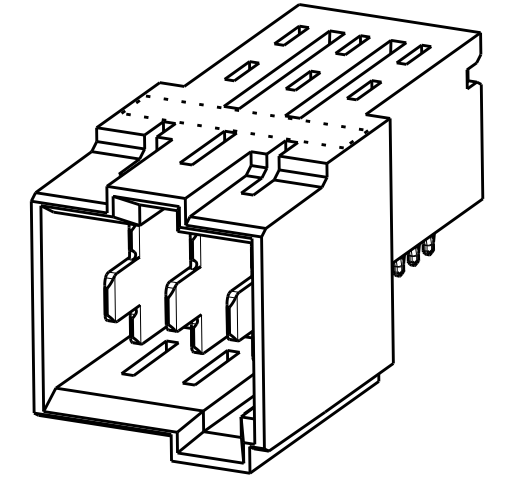
2	PLUG HOUSING	LCP 30% GF NATURAL
1	PLUG CONTACT	COPPER ALLOY
ITEM NO.	DESCRIPTION	MATERIAL
Tyco Electronics Tyco Electronics Corporation 's-Hertogenbosch, Nederland		
NAME: PLUG ASSEMBLY RIGHT ANGLE Z-PACK SLIM UHD POWER		
SIZE	CAGE CODE	DRAWING NO
A2	00779	C-1982260
RESTRICTED TO		
SCALE	SHEET	REV
5:1	1 OF 2	A

THIS DRAWING IS UNPUBLISHED. RELEASED FOR PUBLICATION
 © COPYRIGHT - BY TYCO ELECTRONICS CORPORATION. ALL RIGHTS RESERVED.

LOC		DIST		REVISIONS			
P	LTR	DATE	DWN	APVD	DESCRIPTION		
-	-	-	-	-	SEE SHEET 1		



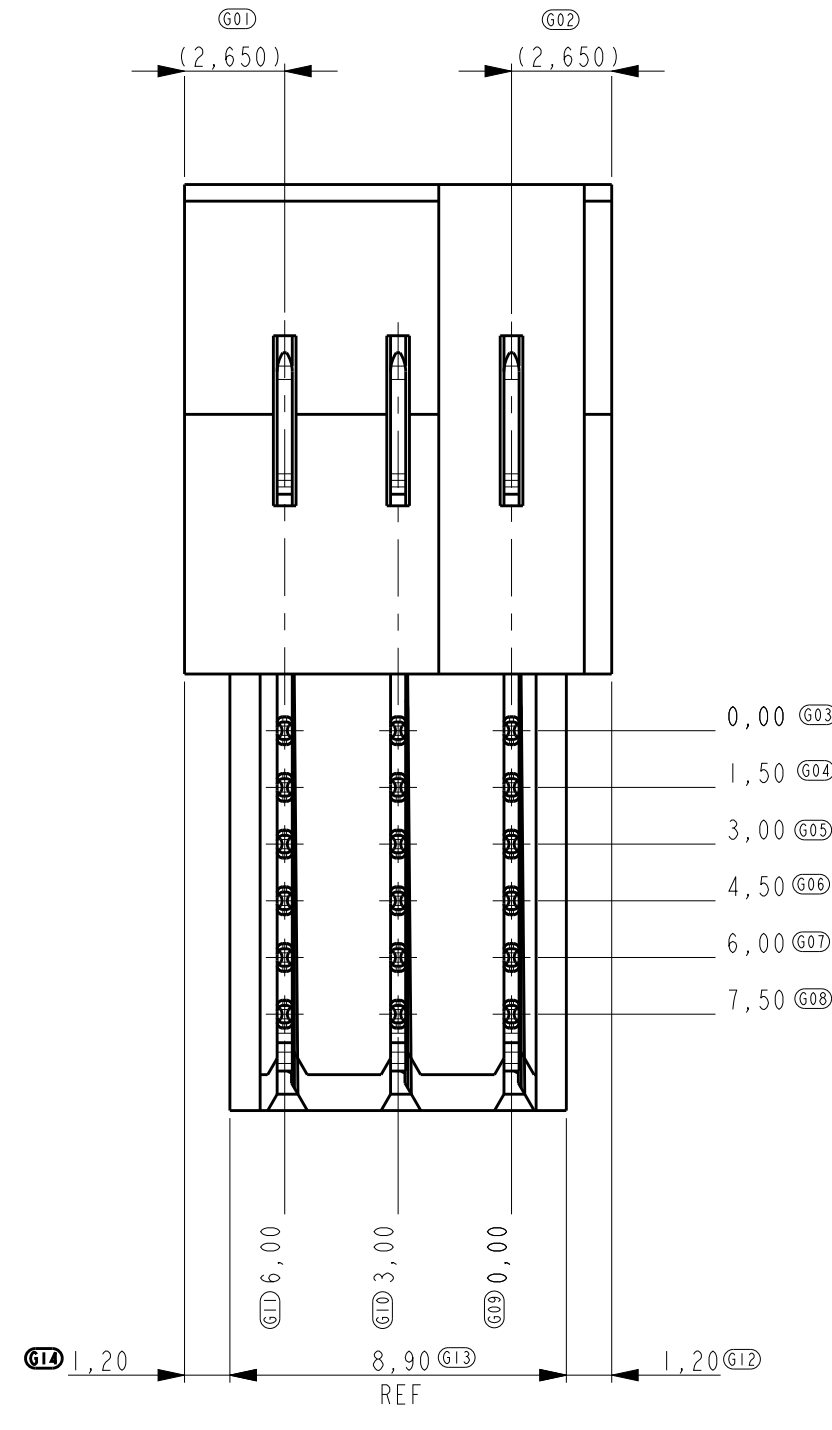
SCALE 3:1



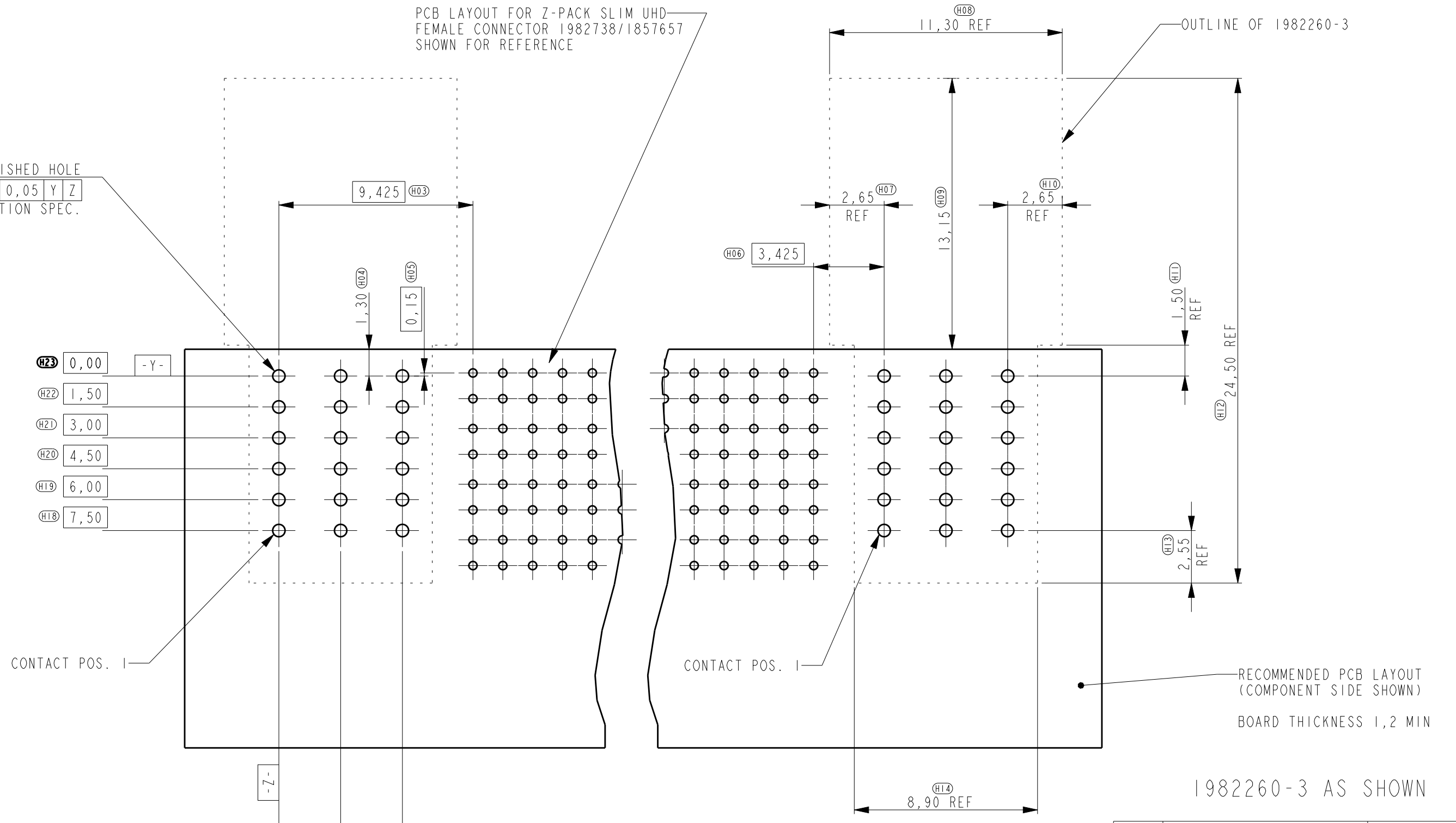
SCALE 3:1

PCB LAYOUT FOR Z-PACK SLIM UHD FEMALE CONNECTOR 1982738/1857657 SHOWN FOR REFERENCE

Ø 0,60 REF. FINISHED HOLE
 SEE APPLICATION SPEC.



- NOTES:
- 1 PLATING: 0,5µm MIN. TIN OVER NICKEL.
 - 2 PLATING IN CONTACT AREA 1,27 µm MIN. Au OVER 1,27µm MIN. Ni



RECOMMENDED PCB LAYOUT (COMPONENT SIDE SHOWN)
 BOARD THICKNESS 1,2 MIN

1982260-3 AS SHOWN

THIS DRAWING IS A CONTROLLED DOCUMENT FOR TYCO ELECTRONICS CORPORATION. IT IS SUBJECT TO CHANGE AND THE CONTROLLING ENGINEERING ORGANIZATION SHOULD BE CONTACTED FOR THE LATEST REVISION.		DWN	J. VOS	28-MAY-08	Tyco Electronics 's-Hertogenbosch, Nederland
DIMENSIONS: mm		CHK	R. DAAMEN	28-MAY-08	
TOLERANCES UNLESS OTHERWISE SPECIFIED:		APVD	R. V.D. SANDT	-	NAME PLUG ASSEMBLY RIGHT ANGLE Z-PACK SLIM UHD POWER
0 PLC ±		PRODUCT SPEC	108-19367	APPLICATION SPEC	
1 PLC ±0,1		114-19122	WEIGHT	-	SIZE
2 PLC ±0,05		CUSTOMER DRAWING	SCALE	1:1	CAGE CODE
3 PLC ±0,025		SCALE	1:1	SHEET	2
4 PLC ±		SCALE	1:1	OF	2
ANGLES ±2°		SCALE	1:1	REV	A
FINISH		SCALE	1:1	REV	A