



Chipsmall Limited consists of a professional team with an average of over 10 year of expertise in the distribution of electronic components. Based in Hongkong, we have already established firm and mutual-benefit business relationships with customers from,Europe,America and south Asia,supplying obsolete and hard-to-find components to meet their specific needs.

With the principle of “Quality Parts,Customers Priority,Honest Operation,and Considerate Service”,our business mainly focus on the distribution of electronic components. Line cards we deal with include Microchip,ALPS,ROHM,Xilinx,Pulse,ON,Everlight and Freescale. Main products comprise IC,Modules,Potentiometer,IC Socket,Relay,Connector.Our parts cover such applications as commercial,industrial, and automotives areas.

We are looking forward to setting up business relationship with you and hope to provide you with the best service and solution. Let us make a better world for our industry!



Contact us

Tel: +86-755-8981 8866 Fax: +86-755-8427 6832

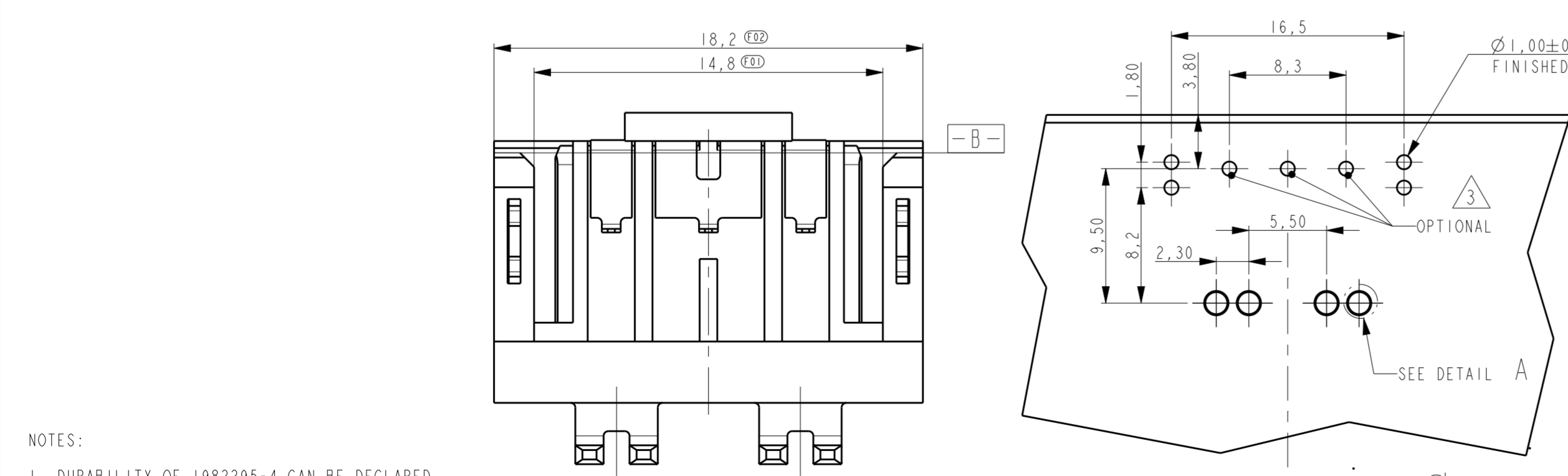
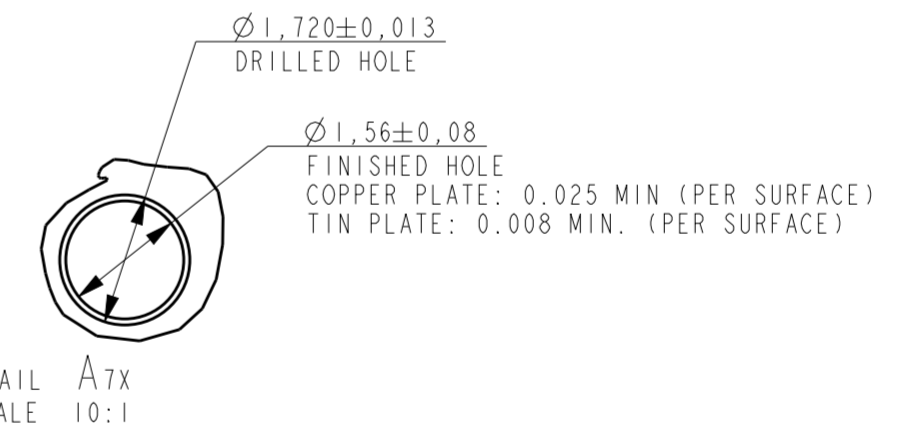
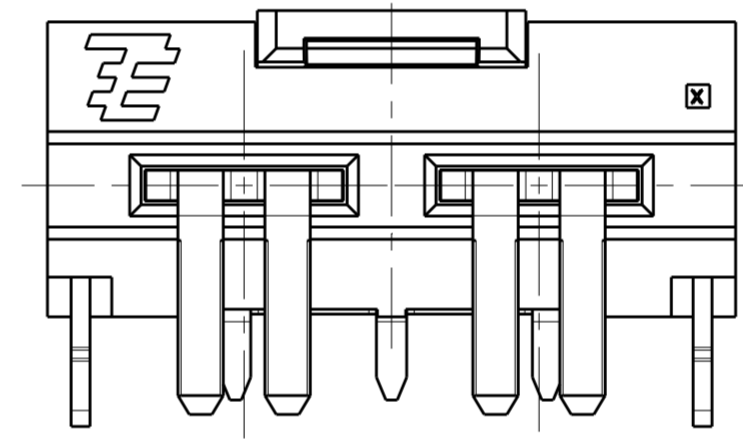
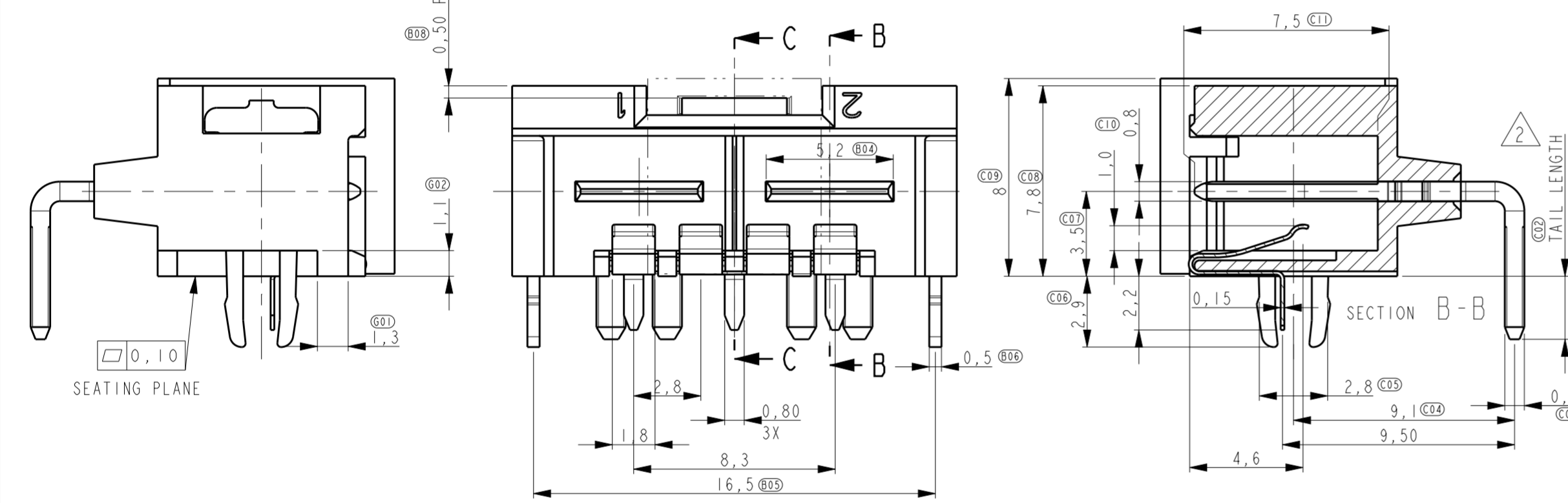
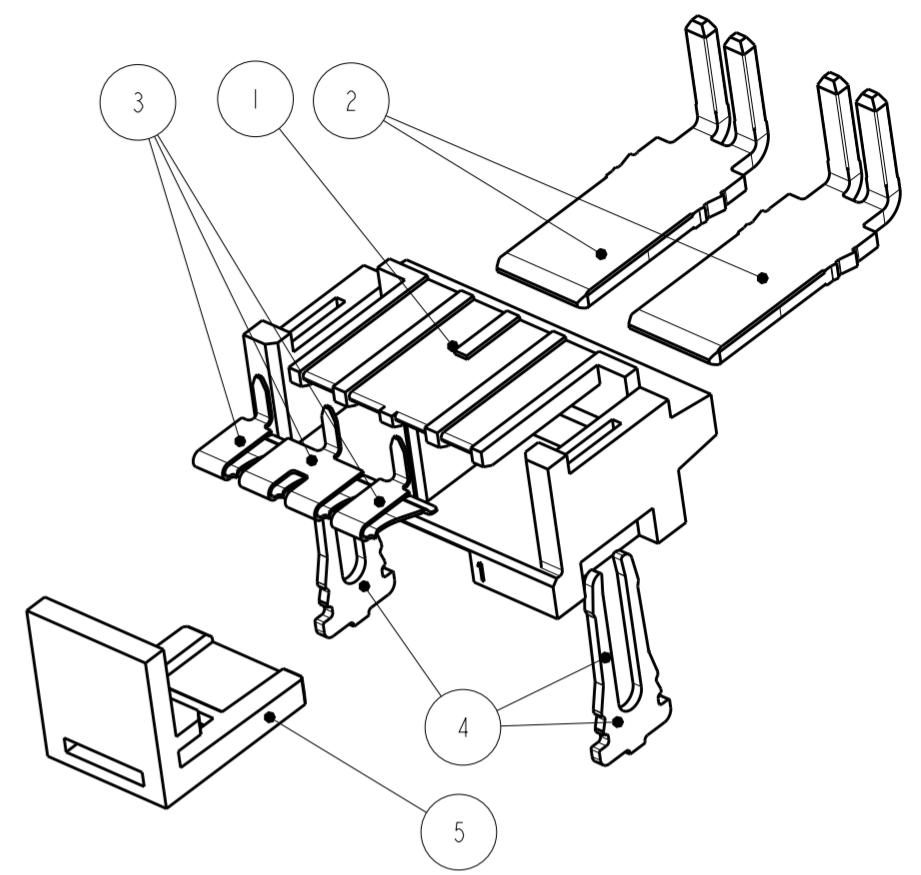
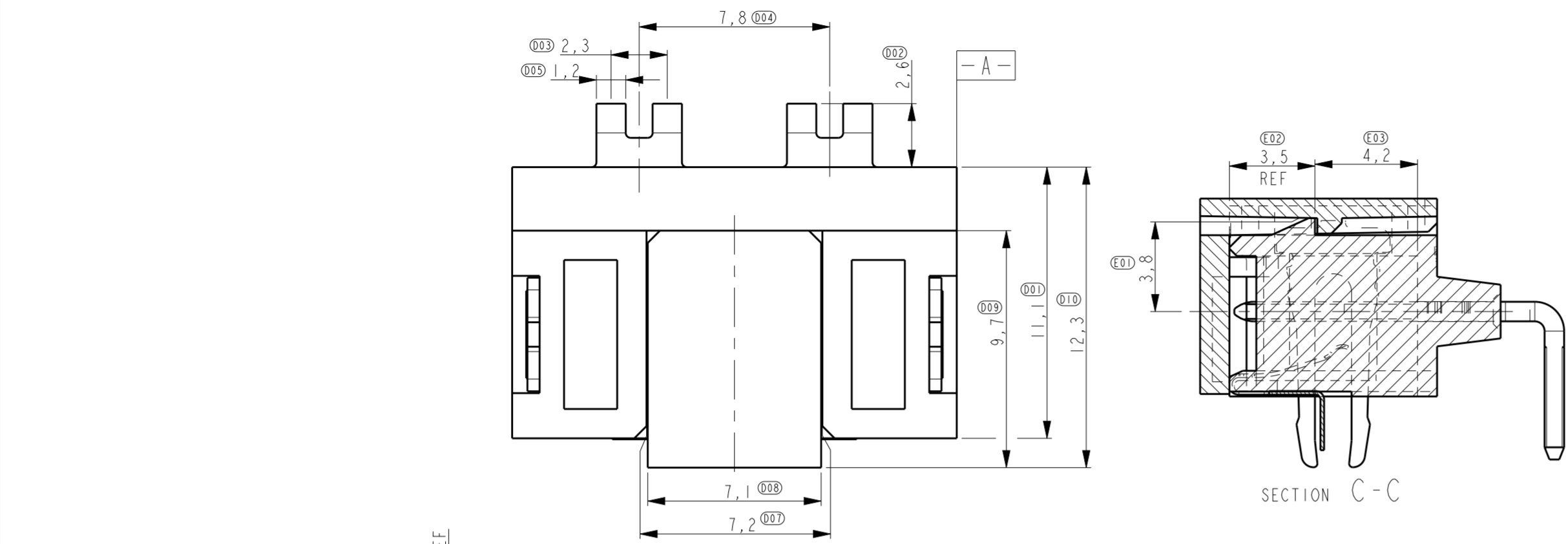
Email & Skype: info@chipsmall.com Web: www.chipsmall.com

Address: A1208, Overseas Decoration Building, #122 Zhenhua RD., Futian, Shenzhen, China



THIS DRAWING IS UNPUBLISHED. RELEASED FOR PUBLICATION
 © COPYRIGHT - TE CONNECTIVITY ALL RIGHTS RESERVED.

P	LTR	DESCRIPTION	DATE	DWN	APVD
B2		ADD 1982295-6	26MAR2013	OL	SZ
C		REV PER ECO-14-014260	19SEP2014	OL	SZ
C1		REV PER ECR-15-005263	04APR2015	SZ	SZ
C2		REV PER ECO-16-014959	16FEB2017	WY	SZ



ITEM NO.	DESCRIPTION	MATERIAL	FINISH	QTY	QTY	QTY	QTY	QTY
5	PICK&PLACE ADAPTOR	POLYAMIDE	NA	1	-	1	1	1
4	HOLD DOWN	DIN1544 CK75	5.0 µm Sn MIN OVER 2.5 µm Ni MIN ALL OVER.	2	2	2	2	2
3	CONTACT DETECTION	COPPER ALLOY	0.8 µm Au MIN. IN CONTACT PLACE, Au FLASH IN SOLDER AREA OVER 1.27µm Ni MIN ALL OVER	-	4	-	-	4
2	CONTACT POWER TAB	COPPER ALLOY	1.2µm Ni MIN. ALL OVER 0.8µm Au MIN AT MATING ZONE 0.1-0.15 µm Au AT SOLDER ZONE	2	-	2	-	-
2	CONTACT POWER TAB	COPPER ALLOY	3.0 µm Ag MIN ALL OVER.	-	2	-	2	2
1	HOUSING	LCP GF UL94V-0	NA	1	1	1	1	1

NOTES:
 1. DURABILITY OF 1982295-4 CAN BE DECLARED ONLY AFTER TESTING.
 2. TAIL LENGTH IS 3.6^{+0.10}/_{-0.20} MM FOR -6, OTHERS ARE 2.6 MM
 3. OPTIONAL, THEY ARE REQUIRED WHEN CODING CONTACTS NEEDED.

WITHOUT DETECTION CONTACTS	WITH DETECTION CONTACTS	WITHOUT DETECTION CONTACTS	WITHOUT DETECTION CONTACTS	WITH DETECTION CONTACTS
1982295-6	1982295-5	1982295-4	1982295-2	1982295-1

THIS DRAWING IS A CONTROLLED DOCUMENT.

DWN	R. Annokkee	16-Feb-17
CHK	R. Annokkee	16-Feb-17
APVD	J. Broeksteeg	16-Feb-17

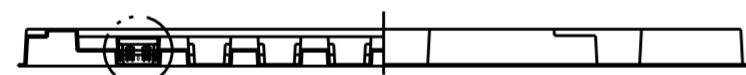
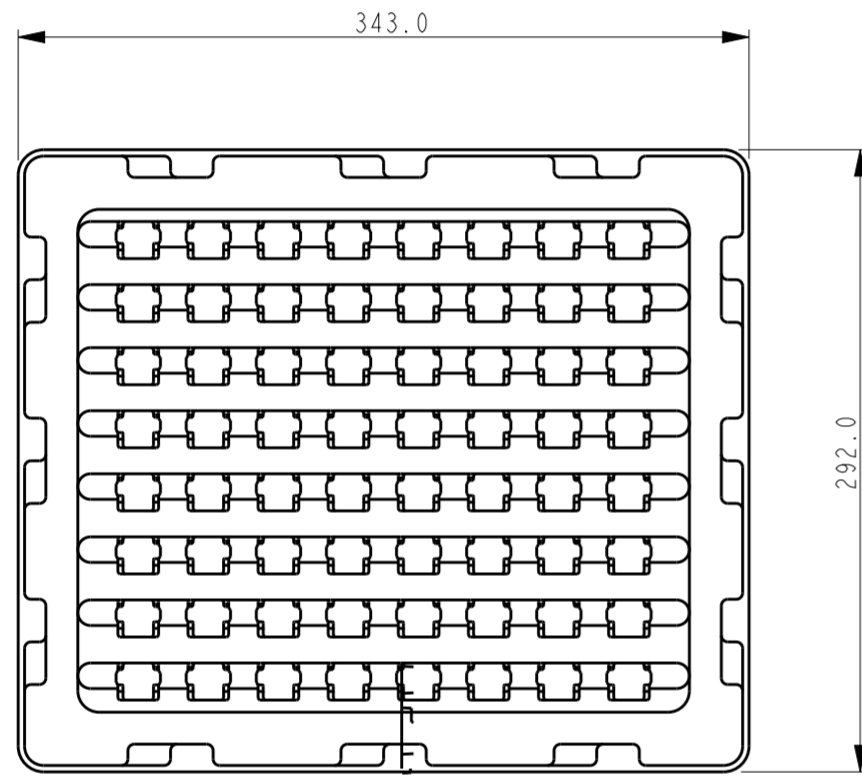
PRODUCT SPEC: 108-19346
 APPLICATION SPEC: 114-19110

STE TE Connectivity
 NAME: ELCON Mini, 2-position header right-angle
 SIZE: A2 CAGE CODE: 00779 DRAWING NO: C-1982295
 WEIGHT: - RESTRICTED TO: -
 Customer Drawing SCALE: 5:1 SHEET: 1 OF 2 REV: C2

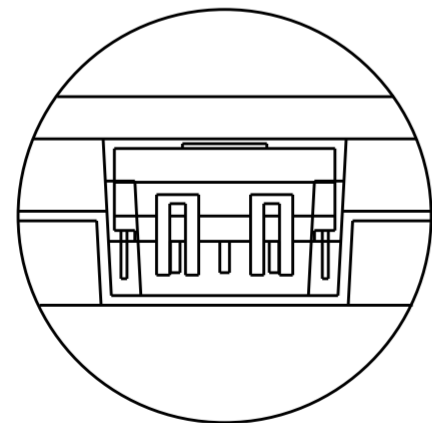
THIS DRAWING IS UNPUBLISHED. RELEASED FOR PUBLICATION
 © COPYRIGHT - TE CONNECTIVITY ALL RIGHTS RESERVED.

LOC	DIST	REVISIONS			
P	LTR	DESCRIPTION	DATE	DWN	APVD
IR	-	SEE SHEET 1	-	-	-

NOTES:
 1. TRAY (PN 3178822-1) PACKAGING IS ONLY FOR PN 1982295-5.

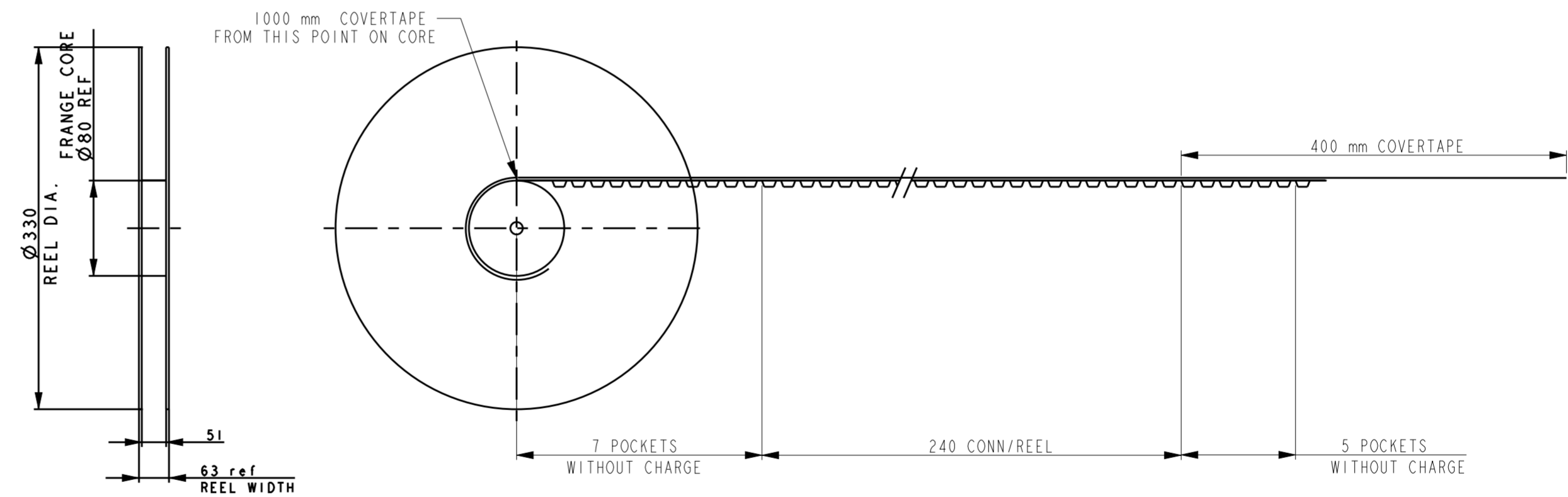
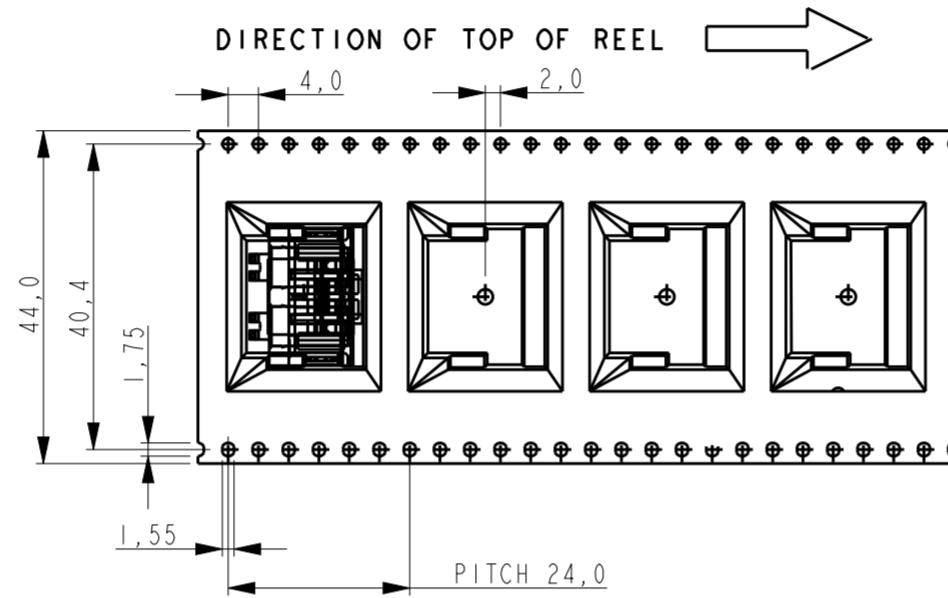


SEE DETAIL B



DETAIL B

DO NOT SCALE



NOTES:

- 1 MATERIAL: TRANSPARENT POLYSTYRENE ALLOY.
- 2 10 SPROCKET HOLES PITCH CUMULATIVE TOLERANCE +/-0,20.
- 3 CARRIER CAMBER IS WITHIN 1 mm IN 250 mm.
- 4 ALL DIMENSIONS MEET EIA-481-C REQUIREMENTS.
- 5 THICKNESS: 0,50±0,05mm.
- 6 REEL PACKAGING ONLY FOR OTHER PART NUMBERS.

THIS DRAWING IS A CONTROLLED DOCUMENT.		DWN R. Annokkee 16-Feb-17	 TE Connectivity NAME ELCON Mini, 2-position header right-angle
DIMENSIONS: mm		CHK R. Annokkee 16-Feb-17	
TOLERANCES UNLESS OTHERWISE SPECIFIED:		APVD J. Broeksteeg 16-Feb-17	
0 PLC ±0,5 1 PLC ±0,1 2 PLC ±0,05 3 PLC ± 4 PLC ± ANGLES ±2 FINISH		PRODUCT SPEC 108-19346 APPLICATION SPEC 114-19110 WEIGHT -	
MATERIAL	-	Customer Drawing	SIZE A2 CAGE CODE 00779 DRAWING NO G-1982295 RESTRICTED TO - SCALE 5:1 SHEET 2 OF 2 REV C2