



Chipsmall Limited consists of a professional team with an average of over 10 year of expertise in the distribution of electronic components. Based in Hongkong, we have already established firm and mutual-benefit business relationships with customers from,Europe,America and south Asia,supplying obsolete and hard-to-find components to meet their specific needs.

With the principle of “Quality Parts,Customers Priority,Honest Operation,and Considerate Service”,our business mainly focus on the distribution of electronic components. Line cards we deal with include Microchip,ALPS,ROHM,Xilinx,Pulse,ON,Everlight and Freescale. Main products comprise IC,Modules,Potentiometer,IC Socket,Relay,Connector.Our parts cover such applications as commercial,industrial, and automotives areas.

We are looking forward to setting up business relationship with you and hope to provide you with the best service and solution. Let us make a better world for our industry!



Contact us

Tel: +86-755-8981 8866 Fax: +86-755-8427 6832

Email & Skype: info@chipsmall.com Web: www.chipsmall.com

Address: A1208, Overseas Decoration Building, #122 Zhenhua RD., Futian, Shenzhen, China

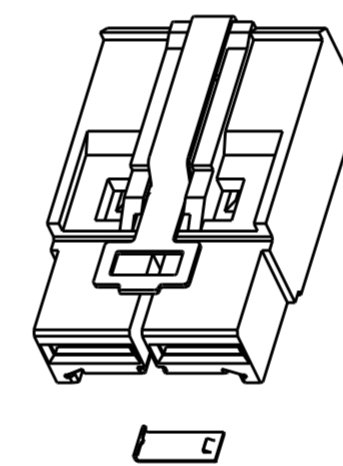
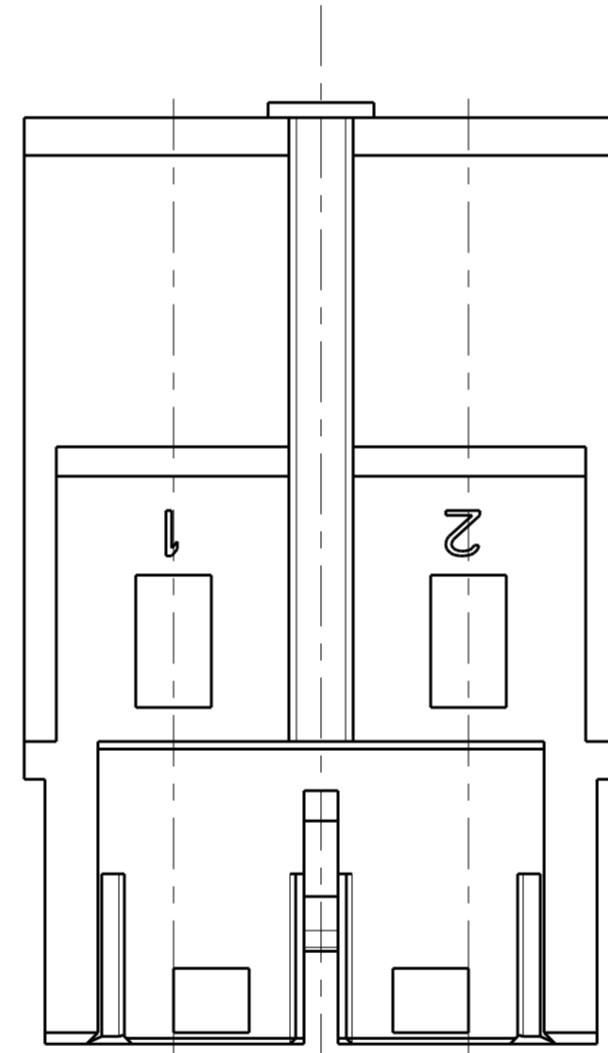
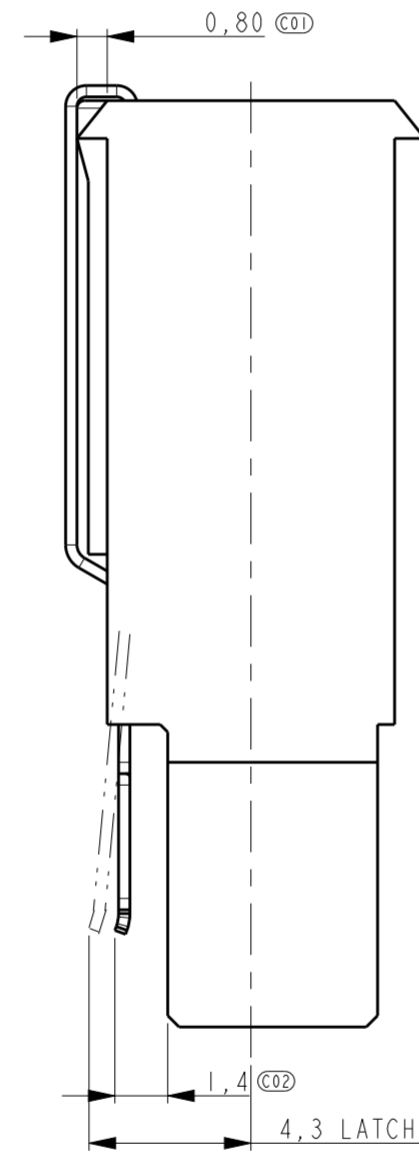
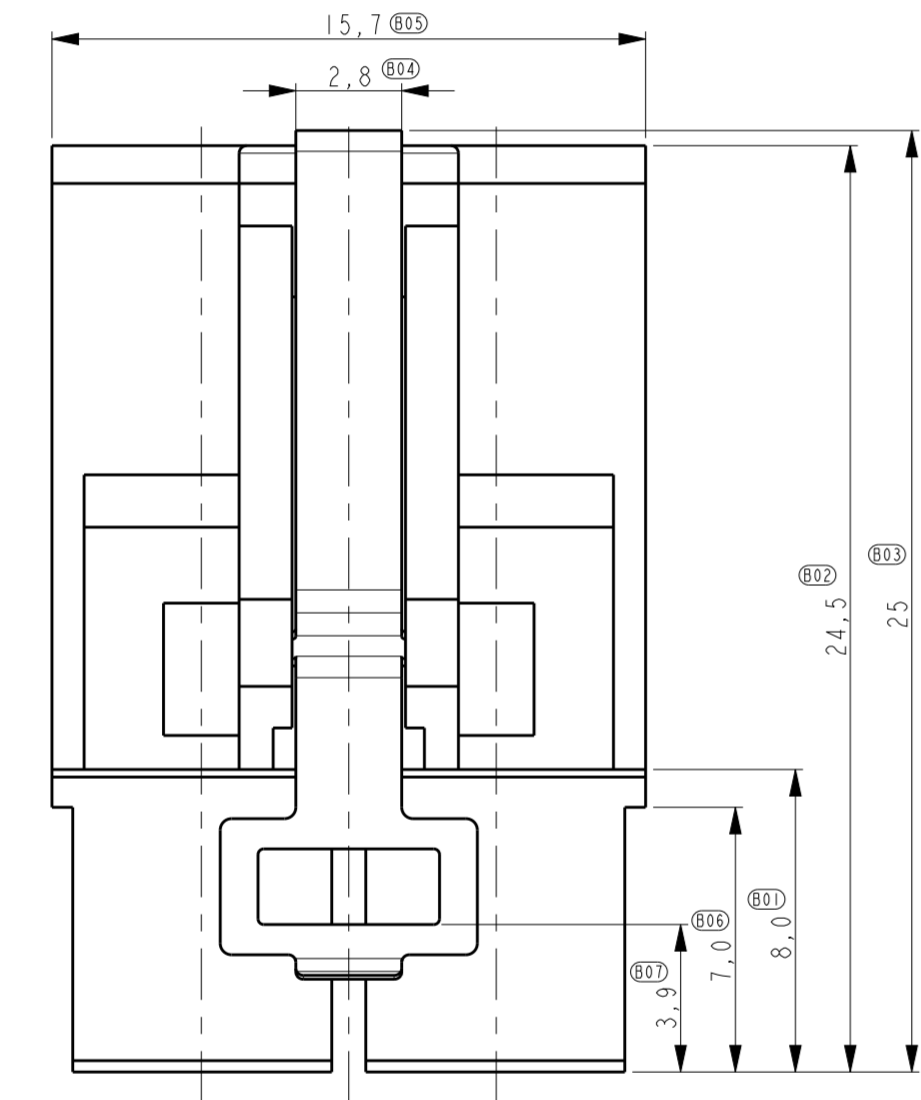
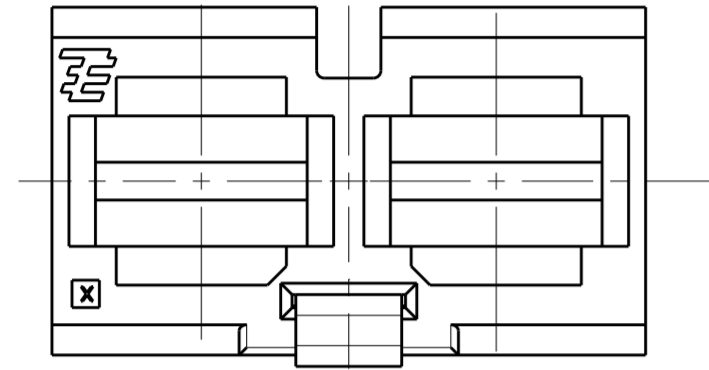


THIS DRAWING IS UNPUBLISHED. RELEASED FOR PUBLICATION
 © COPYRIGHT - TE CONNECTIVITY ALL RIGHTS RESERVED.

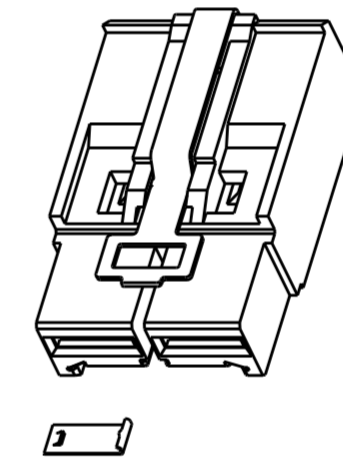
LOC	DIST	REVISIONS					
		P	LTR	DESCRIPTION	DATE	DWN	APVD
H	-	A2		1982299-1/-2/-3 IS RESTRICTED	29JUN2011	PS	RP
		A3		1982299-6 ADDED	23NOV2011	PS	RRP
		B		REV PER ECO-14-014260	19SEP2014	OL	SZ
		B1		REV PER ECO-16-014059	13FEB2017	WY	SZ

NOTES:

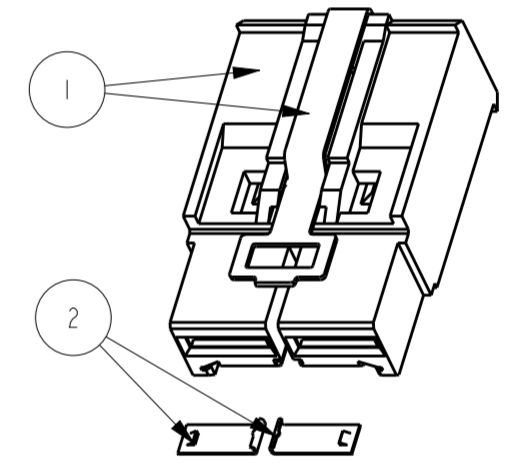
- 1 USE FOR (SILVER PLATED) STANDARD POWER TIMER CONTACTS .
FOR CONTACTS PARTNUMBERS SEE DWG. C-1355048 VERSION A
ALLOWED MAX WIRE SIZE 4 mm².
- 2 LOOSE PIECE PART NUMBER ITEM 2:1982298-2.



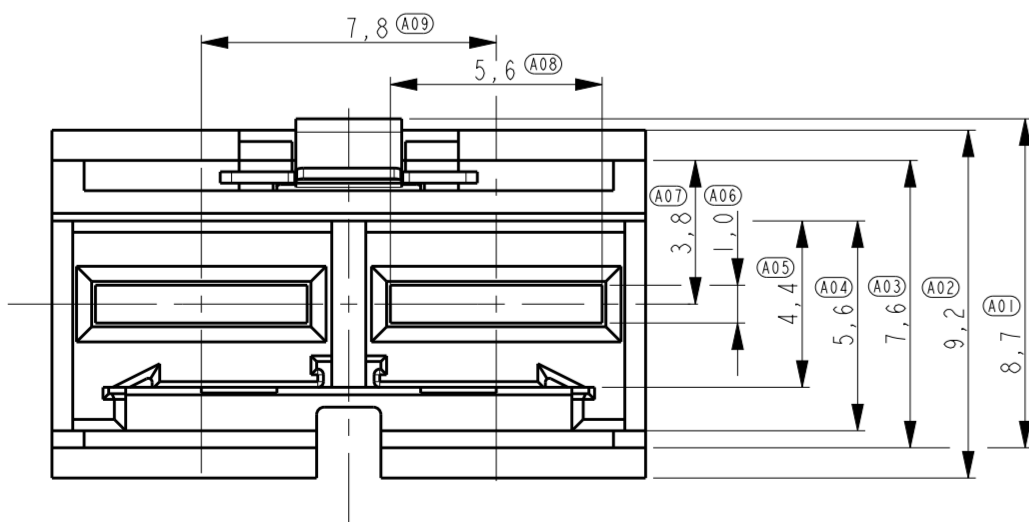
198299-1 WITH RIGHT CODING CONTACT



198299-2 WITH LEFT CODING CONTACT



198299-3 WITH TWO CODING CONTACTS



198299-4	198299-3	198299-2	198299-1	DESCRIPTION	MATERIAL	FINISH	ITEM
-	2	1	1	CODING CONTACT	COPPER ALLOY	0.8 um Au IN CONTACT PLACE OVER 1.2 um Ni UNDERPLAYER OVERALL	2
1	1	1	1	HOUSING LATCH	PA GF UL94V-0 STAINLESS STEEL	NA	1

THIS DRAWING IS A CONTROLLED DOCUMENT.

DWN: R. Annokkee 13-feb-07
 CHK: R. Annokkee 13-feb-07
 APVD: J. Broeksteeg

NAME: ELCON Mini, 2-position cable connector metal latch, 4mm² max. wire

PRODUCT SPEC: 108-19346
 APPLICATION SPEC: 114-19110

MATERIAL: -
 FINISH: -

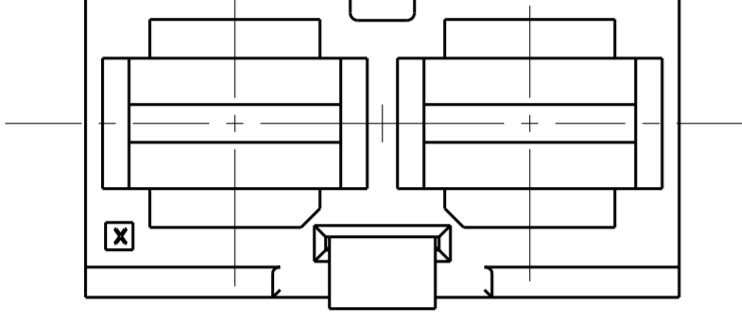
WEIGHT: -

SCALE: 5:1
 SHEET: 1 OF 2
 REV: B1

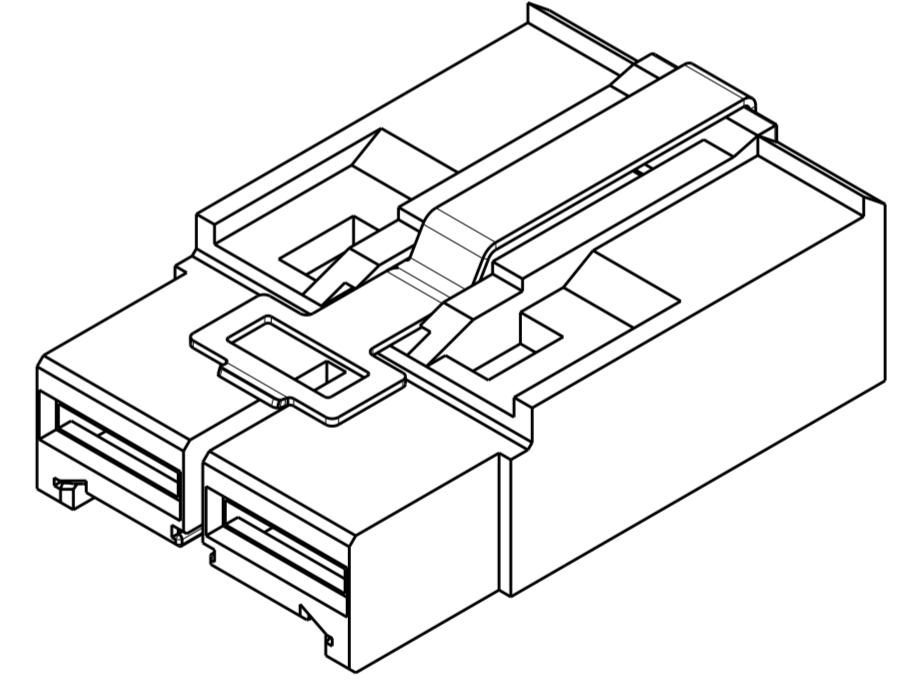
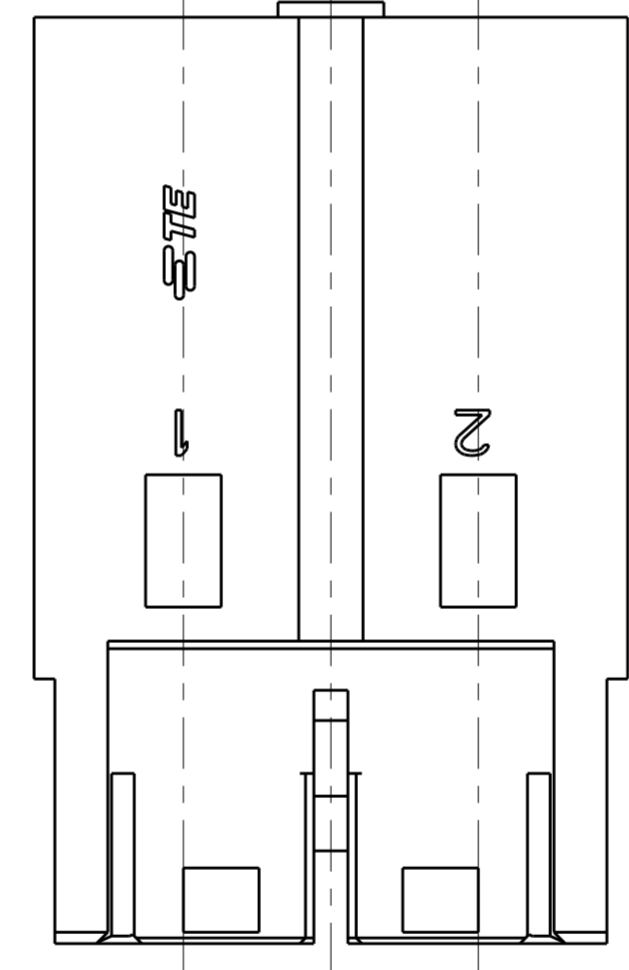
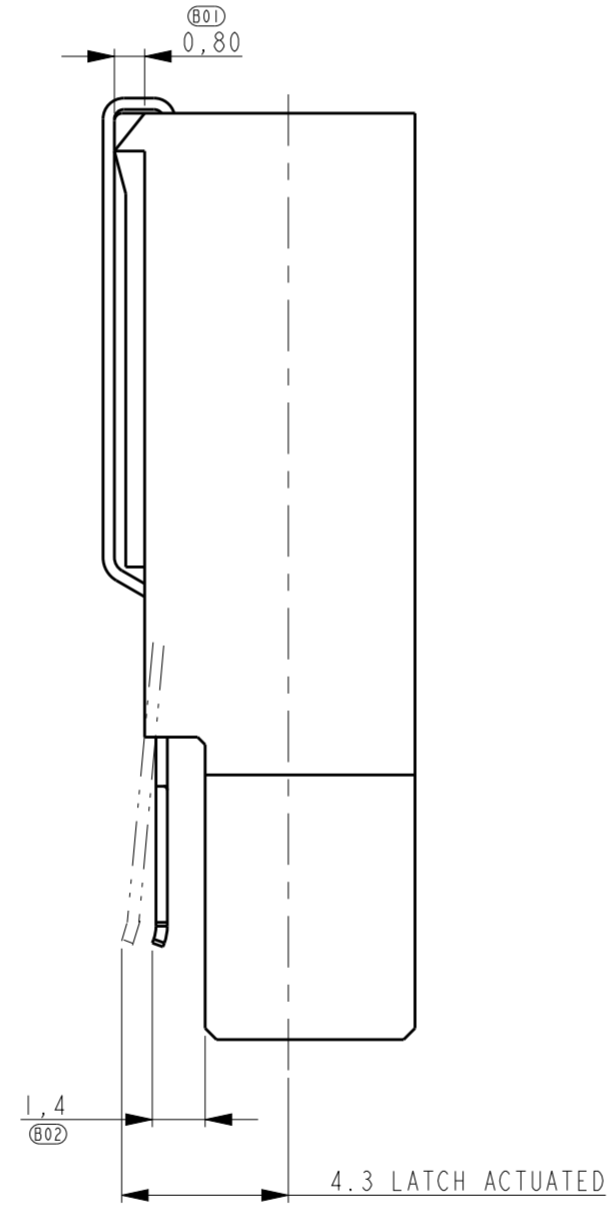
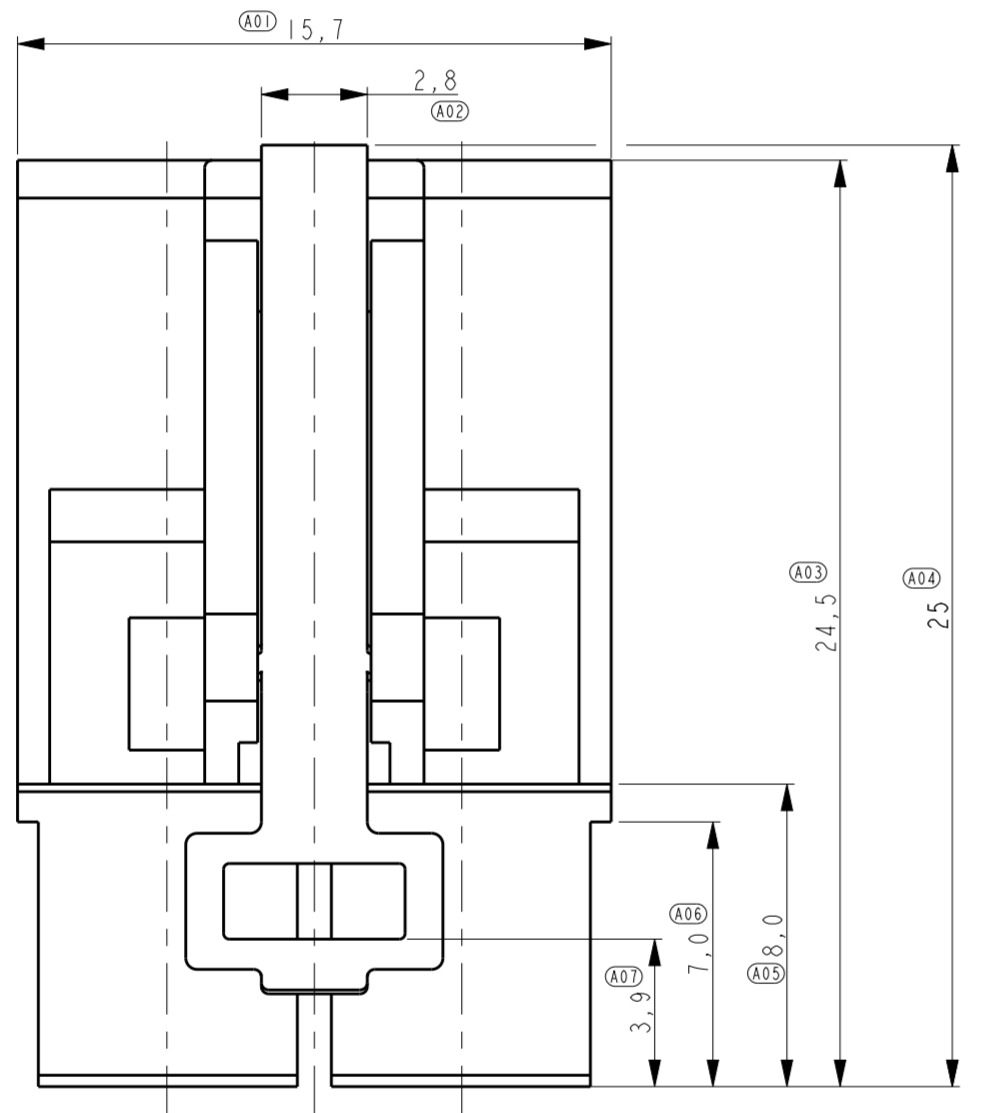
CUSTOMER DRAWING

THIS DRAWING IS UNPUBLISHED. RELEASED FOR PUBLICATION
 © COPYRIGHT - TE CONNECTIVITY ALL RIGHTS RESERVED.

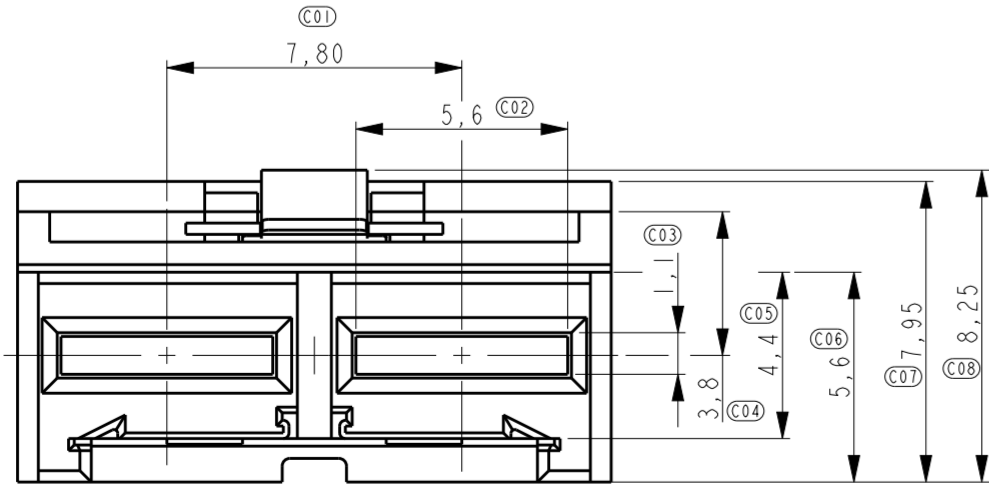
LOC	DIST	REVISIONS					
H	-	P	LTR	DESCRIPTION	DATE	DWN	APVD
		-		SEE SHEET 1			



NOTES:
 1 USE FOR (SILVER PLATED) STANDARD POWER TIMER CONTACTS .
 2 FOR CONTACTS PARTNUMBERS SEE DWG. C-1355048 VERSION A
 3 ALLOWED MAX WIRE SIZE 4 mm².



SCALE 4:1



1982299-6	1	HOUSING LATCH	PA GF UL94V-0 STAINLESS STEEL	NA	1
QTY	DESCRIPTION	MATERIAL	FINISH	ITEM	

THIS DRAWING IS A CONTROLLED DOCUMENT.		DWN R. Annokkee 13-feb-01	TE Connectivity ELCON Mini, 2-position cable connector metal latch, 4mm ² max. wire				
DIMENSIONS: mm		CHK R. Annokkee 13-feb-01					
TOLERANCES UNLESS OTHERWISE SPECIFIED:		APVD J. Broeksteeg	NAME	SIZE	CAGE CODE	DRAWING NO	RESTRICTED TO
0 PLC	± 0,5	PRODUCT SPEC	108-19346	A2	00779	1982299	-
1 PLC	± 0,1	APPLICATION SPEC	114-19110	SCALE	5:1	SHEET	2 OF 2
2 PLC	± 0,05	WEIGHT	-	CUSTOMER DRAWING		REV	B1
3 PLC	± -						
4 PLC	± -						
ANGLES	± 2						
FINISH							