



Chipsmall Limited consists of a professional team with an average of over 10 year of expertise in the distribution of electronic components. Based in Hongkong, we have already established firm and mutual-benefit business relationships with customers from,Europe,America and south Asia,supplying obsolete and hard-to-find components to meet their specific needs.

With the principle of "Quality Parts,Customers Priority,Honest Operation,and Considerate Service",our business mainly focus on the distribution of electronic components. Line cards we deal with include Microchip,ALPS,ROHM,Xilinx,Pulse,ON,Everlight and Freescale. Main products comprise IC,Modules,Potentiometer,IC Socket,Relay,Connector.Our parts cover such applications as commercial,industrial, and automotives areas.

We are looking forward to setting up business relationship with you and hope to provide you with the best service and solution. Let us make a better world for our industry!



Contact us

Tel: +86-755-8981 8866 Fax: +86-755-8427 6832

Email & Skype: info@chipsmall.com Web: www.chipsmall.com

Address: A1208, Overseas Decoration Building, #122 Zhenhua RD., Futian, Shenzhen, China

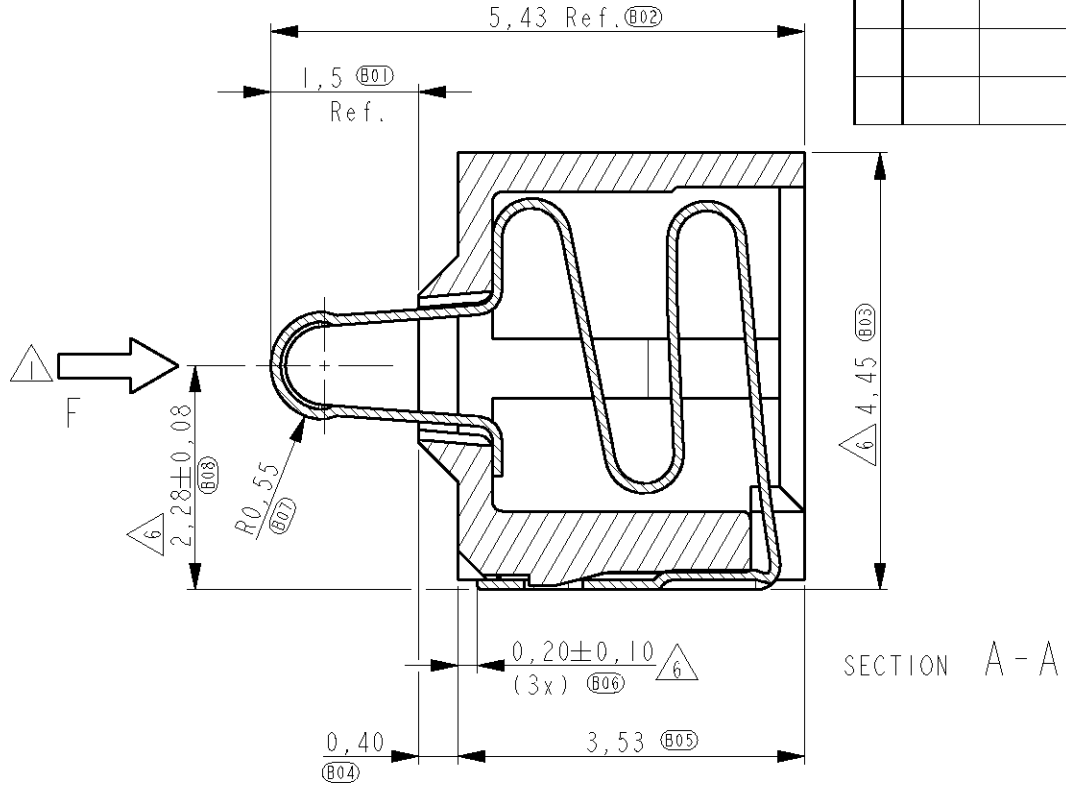
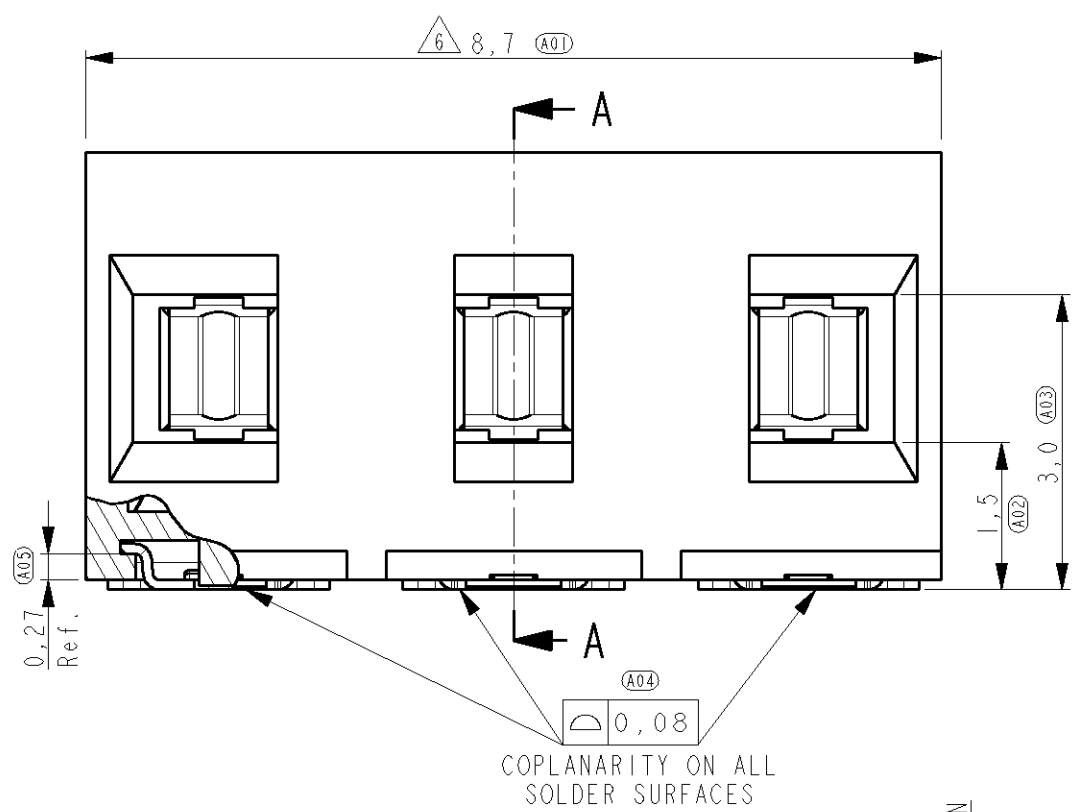


THIS DRAWING IS UNPUBLISHED. RELEASED FOR PUBLICATION
 © COPYRIGHT BY TYCO ELECTRONICS CORPORATION. ALL RIGHTS RESERVED.

LOC	DIST	REVISIONS			
P	LTR	DESCRIPTION	DATE	DWN	APVD
H	-				
	17	Update with latest contact	07APR2008	SZ	JD

**PRELIMINARY PART
 NOT RELEASED FOR PRODUCTION**

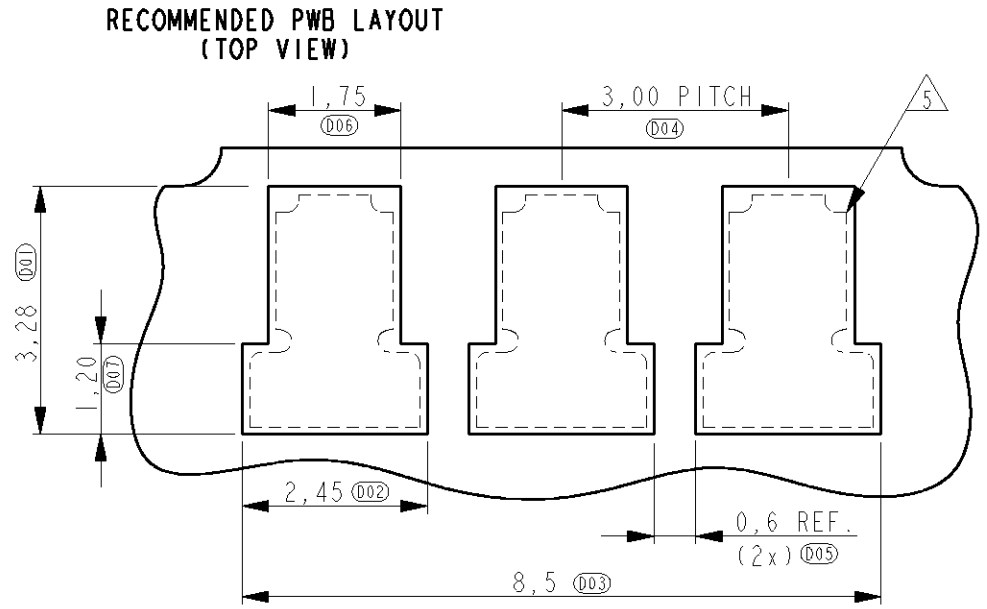
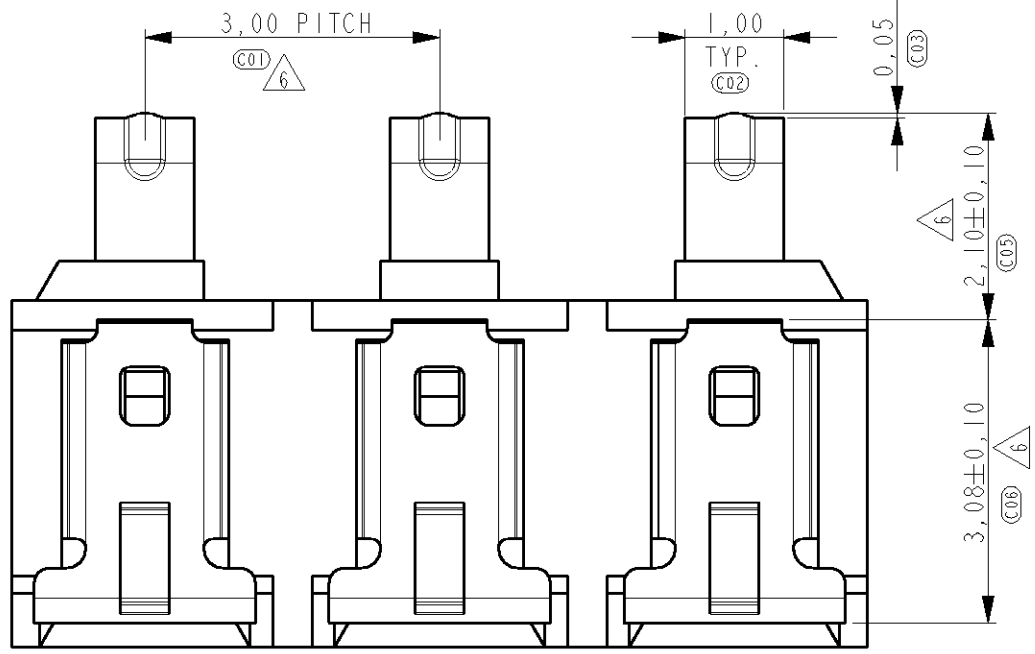
**THIS PRODUCT HAS NOT COMPLETED
 VALIDATION TESTING**



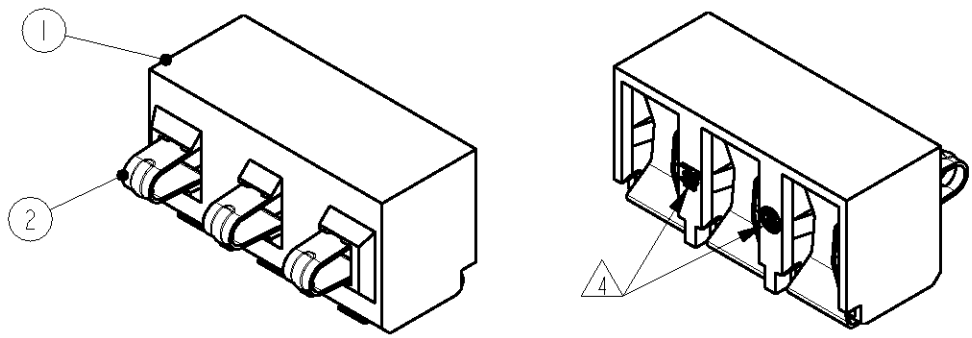
- NOTES:
- 1 MECHANICAL SPECIFICATIONS:
 contact force: see table
 durability : 3000 compression cycles
 - 2 ELECTRICAL SPECIFICATIONS:
 contact resistance : 30 mΩ
 current : 100 mA, peak max. 3A
 operating voltage : 6V
 - 3 ENVIRONMENTAL SPECIFICATIONS:
 operating temperature : -20°C to 70°C
 - 4 Cavity number and Tyco Electronics logo
 - 5 Contact solder area for reference only.
 - 6 Dimensions used for statistical process control on 30 pieces.

	STROKE (mm)	F (N)
MIN.	0,5	0,5 MIN
NOMINAL	0,8	0,5 - 1,5
MAX.	1,3	2,0 MAX

PART NUMBER 1982633-1



ITEM #	DESCRIPTION	MATERIAL	FINISH
2	CONTACT	copper alloy	min. 0,25µm Au (contact area) min. 0,13µm Au (solder area) over min. 2,0µm Ni
1	HOUSING	LCP, black	-

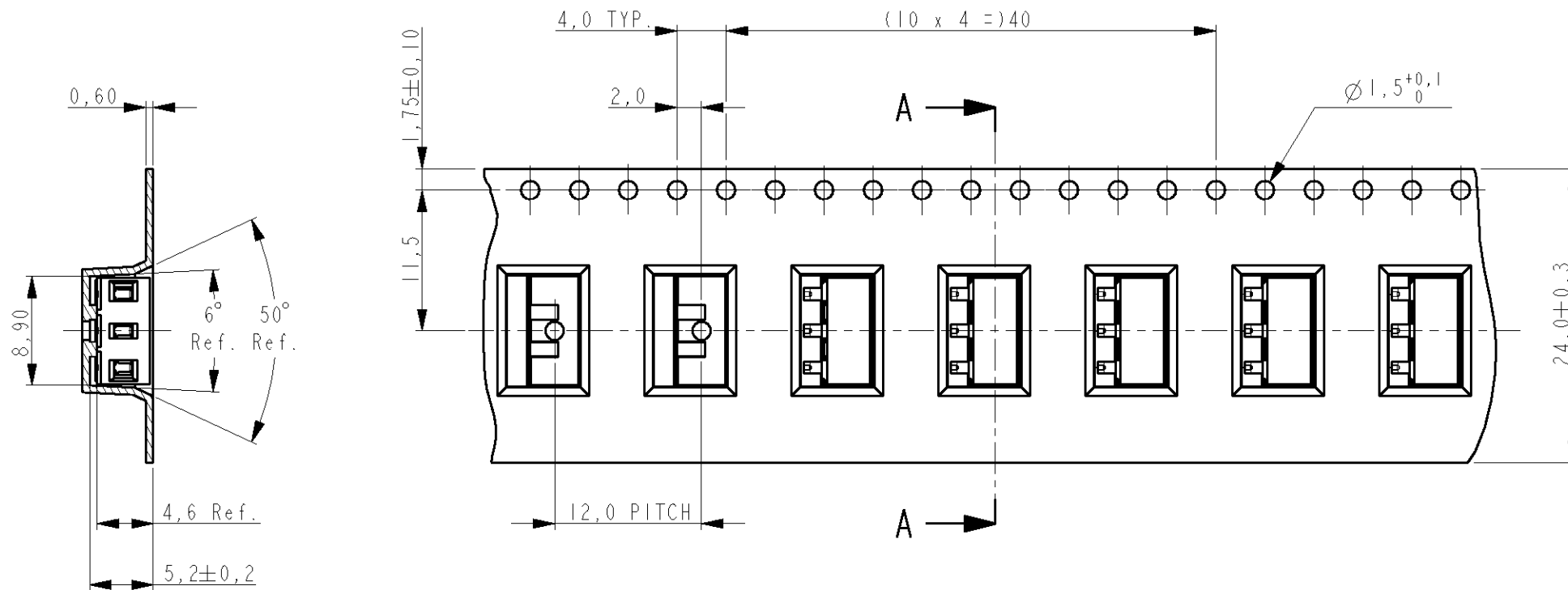


THIS DRAWING IS A CONTROLLED DOCUMENT FOR TYCO ELECTRONICS CORPORATION. IT IS SUBJECT TO CHANGE AND THE CONTROLLING ENGINEERING ORGANIZATION SHOULD BE CONTACTED FOR THE LATEST REVISION.

DIMENSIONS: mm	TOLERANCES UNLESS OTHERWISE SPECIFIED: 0 PLC ±0,2 1 PLC ±0,1 2 PLC ±0,05 3 PLC ±0,025 4 PLC ±0,005 ANGLES ±2	DWN 6 JUN 2007 M. Felten CHK 7 JUN 2007 P. Willems APVD D. Halberstadt PRODUCT SPEC 108-19351 APPLICATION SPEC -	Tyco Electronics Corporation 's-Hertogenbosch, Nederland	
MATERIAL see BOM	FINISH see BOM	WEIGHT 183 mg	SIZE A3	CAGE CODE 00779
CUSTOMER DRAWING		SCALE 13:1	DRAWING NO C=1982633	RESTRICTED TO
		SHEET 1 OF 2	REV 17	

THIS DRAWING IS UNPUBLISHED. RELEASED FOR PUBLICATION
 © COPYRIGHT BY TYCO ELECTRONICS CORPORATION. ALL RIGHTS RESERVED.

LOC	DIST	REVISIONS			
P	LTR	DESCRIPTION	DATE	DWN	APVD
H	-	SEE SHEET 1	-	-	-



NOTES:

- 7 PACKAGING
 - reel size : t.b.d.
 - quantity per reel : t.b.d.
 - leading empty pockets : t.b.d.
 - trailing empty pockets : t.b.d.

**PRELIMINARY PART
 NOT RELEASED FOR PRODUCTION**
**THIS PRODUCT HAS NOT COMPLETED
 VALIDATION TESTING**

<small>THIS DRAWING IS A CONTROLLED DOCUMENT FOR TYCO ELECTRONICS CORPORATION IT IS SUBJECT TO CHANGE AND THE CONTROLLING ENGINEERING ORGANIZATION SHOULD BE CONTACTED FOR THE LATEST REVISION.</small>		DWN 6 JUN 2007 M. Felten CHK 7 JUN 2007 P. Willems APVD D. Halberstadt		Tyco Electronics Corporation 's-Hertogenbosch, Nederland	
DIMENSIONS: mm		TOLERANCES UNLESS OTHERWISE SPECIFIED: 0 PLC ±0,2 1 PLC ±0,1 2 PLC ±0,05 3 PLC ±0,025 4 PLC ±0,005 ANGLES ±2		NAME 3 POSITION BATTERY CONNECTOR	
MATERIAL see BOM		FINISH see BOM		PRODUCT SPEC - APPLICATION SPEC - WEIGHT 176 mg	
CUSTOMER DRAWING		SIZE A3		CAGE CODE 00779	
SCALE 13:1		DRAWING NO C-1982633		RESTRICTED TO	
SHEET 2 OF 2		REV 17		REVISIONS	