



Chipsmall Limited consists of a professional team with an average of over 10 year of expertise in the distribution of electronic components. Based in Hongkong, we have already established firm and mutual-benefit business relationships with customers from,Europe,America and south Asia,supplying obsolete and hard-to-find components to meet their specific needs.

With the principle of "Quality Parts,Customers Priority,Honest Operation,and Considerate Service",our business mainly focus on the distribution of electronic components. Line cards we deal with include Microchip,ALPS,ROHM,Xilinx,Pulse,ON,Everlight and Freescale. Main products comprise IC,Modules,Potentiometer,IC Socket,Relay,Connector.Our parts cover such applications as commercial,industrial, and automotives areas.

We are looking forward to setting up business relationship with you and hope to provide you with the best service and solution. Let us make a better world for our industry!



Contact us

Tel: +86-755-8981 8866 Fax: +86-755-8427 6832

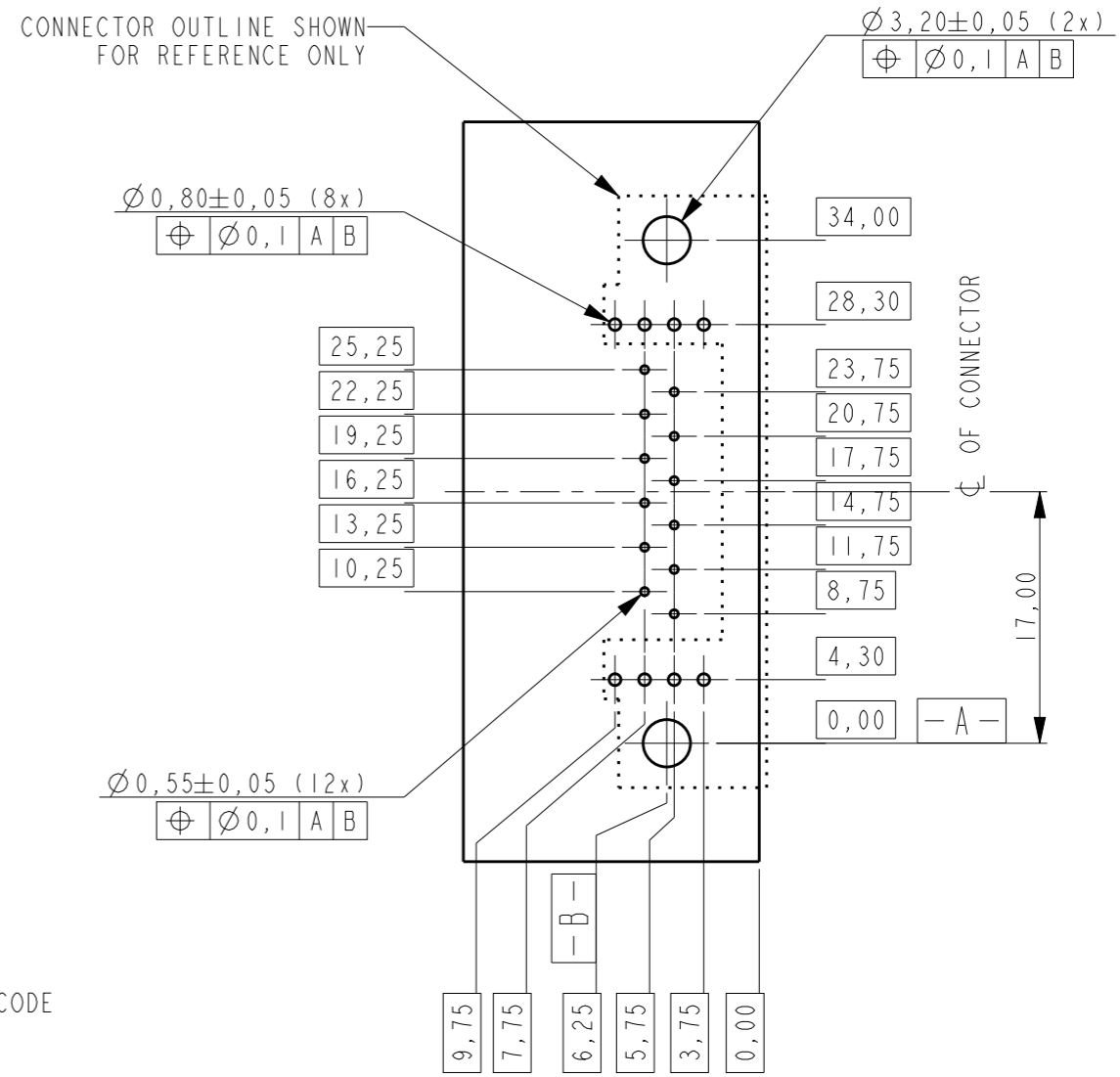
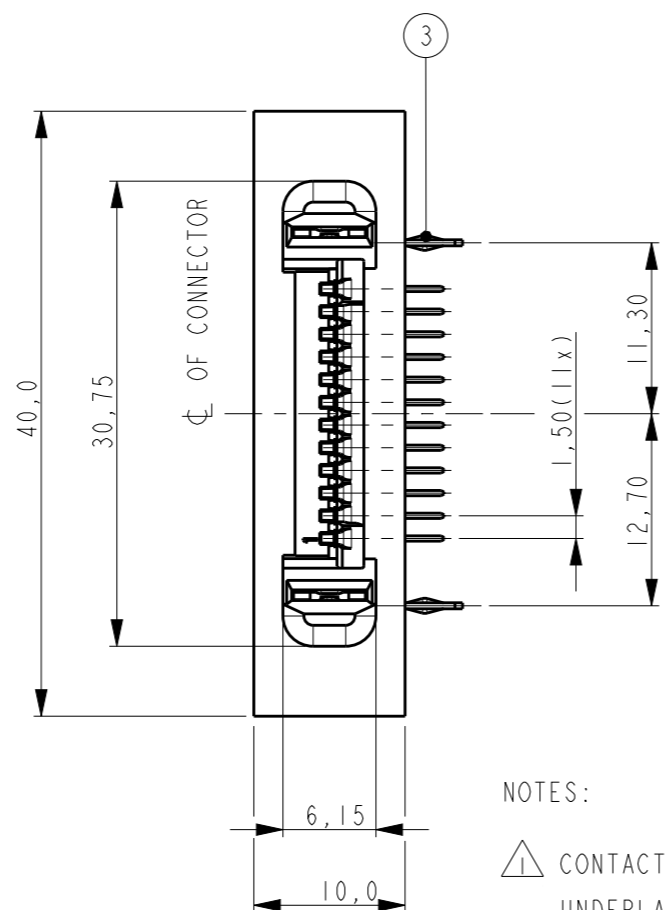
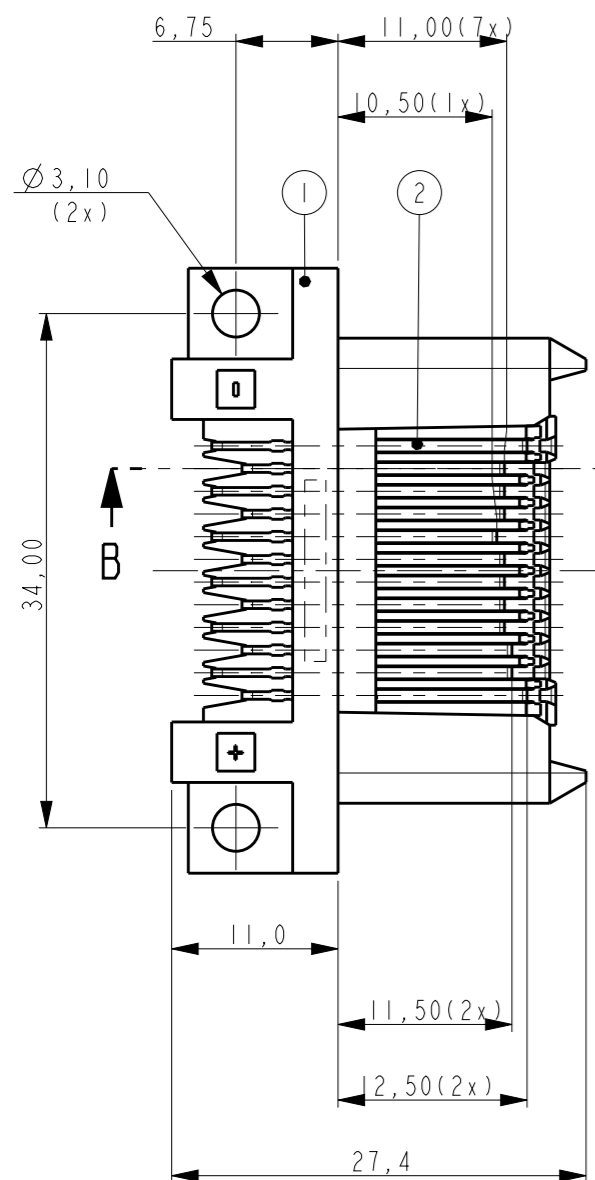
Email & Skype: info@chipsmall.com Web: www.chipsmall.com

Address: A1208, Overseas Decoration Building, #122 Zhenhua RD., Futian, Shenzhen, China

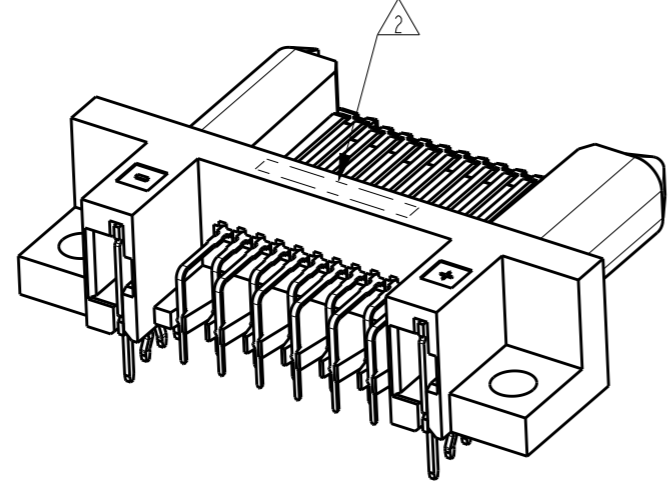
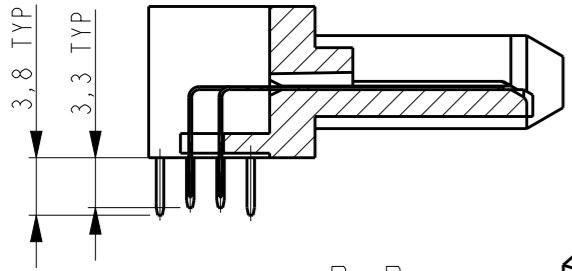


THIS DRAWING IS UNPUBLISHED. RELEASED FOR PUBLICATION 20
 © COPYRIGHT 20 ALL RIGHTS RESERVED.

LOC	DIST	REVISIONS					
		P	LTR	DESCRIPTION	DATE	DWN	APVD
H	-		1	FIRST ISSUE	08OCT2007	JV	RD
			2	ADD DATE-CODE	23JUL2009	RD	TdB
			3	SUPERSEDED	04DEC2009	JvdH	TdB
			A2	ECR-14-016324	16APR2015	T.Q	W.H



NOTES:
 1 CONTACT FINISH:
 UNDERLAYER: NICKEL
 SOLDER TAILS: TIN
 CONTACT AREA: GOLD
 2 PARTNUMBER AND DATE-CODE
 IN THIS AREA.



ORDERNUMBER: 1982676-1

ITEM NO.	DESCRIPTION	MATERIAL	FINISH
3	RECEPTACLE POWER CONTACT	COPPER ALLOY	SEE NOTE 1
2	SIGNAL CONTACT	COPPER ALLOY	SEE NOTE 1
1	RECEPTACLE HOUSING	LCP	BLACK

THIS DRAWING IS A CONTROLLED DOCUMENT.

DWN J.VOS 08-Oct-07
 CHK R.DAAMEN 08-Oct-07
 APVD -

PRODUCT SPEC 108-19361
 APPLICATION SPEC -

WEIGHT -

Customer Drawing

STE TE Connectivity

NAME RECEPTACLE ASSY

SIZE A3 CAGE CODE 00779 DRAWING NO C-1982676 RESTRICTED TO -

SCALE 2:1 SHEET 1 OF 1 REV A2