



Chipsmall Limited consists of a professional team with an average of over 10 year of expertise in the distribution of electronic components. Based in Hongkong, we have already established firm and mutual-benefit business relationships with customers from,Europe,America and south Asia,supplying obsolete and hard-to-find components to meet their specific needs.

With the principle of “Quality Parts,Customers Priority,Honest Operation,and Considerate Service”,our business mainly focus on the distribution of electronic components. Line cards we deal with include Microchip,ALPS,ROHM,Xilinx,Pulse,ON,Everlight and Freescale. Main products comprise IC,Modules,Potentiometer,IC Socket,Relay,Connector.Our parts cover such applications as commercial,industrial, and automotives areas.

We are looking forward to setting up business relationship with you and hope to provide you with the best service and solution. Let us make a better world for our industry!



Contact us

Tel: +86-755-8981 8866 Fax: +86-755-8427 6832

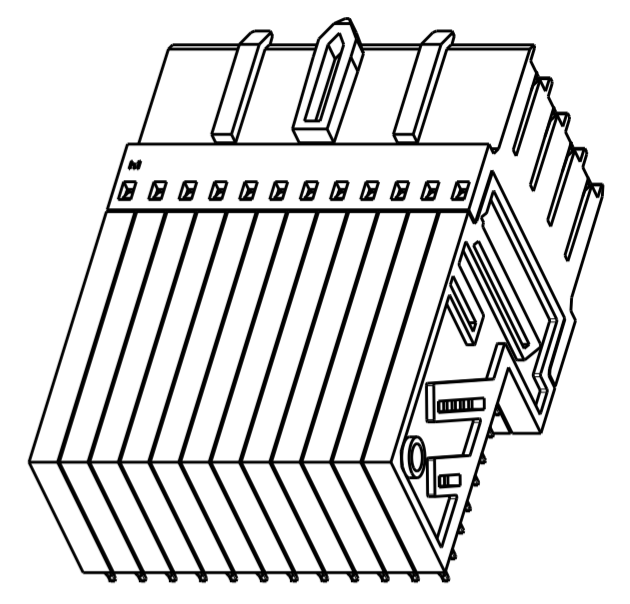
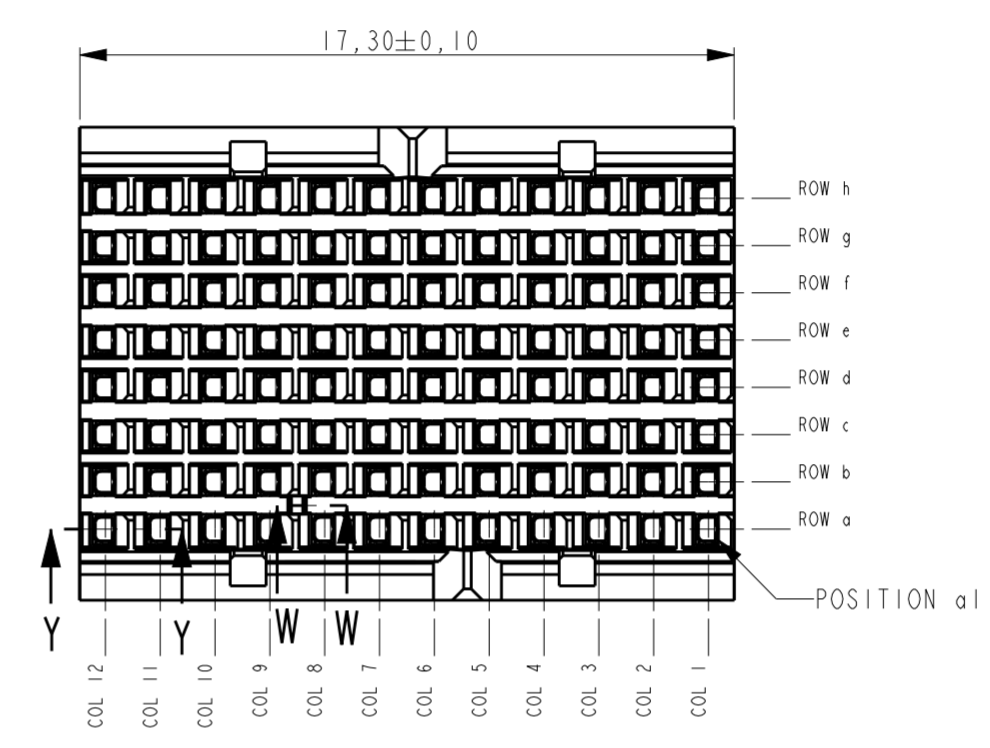
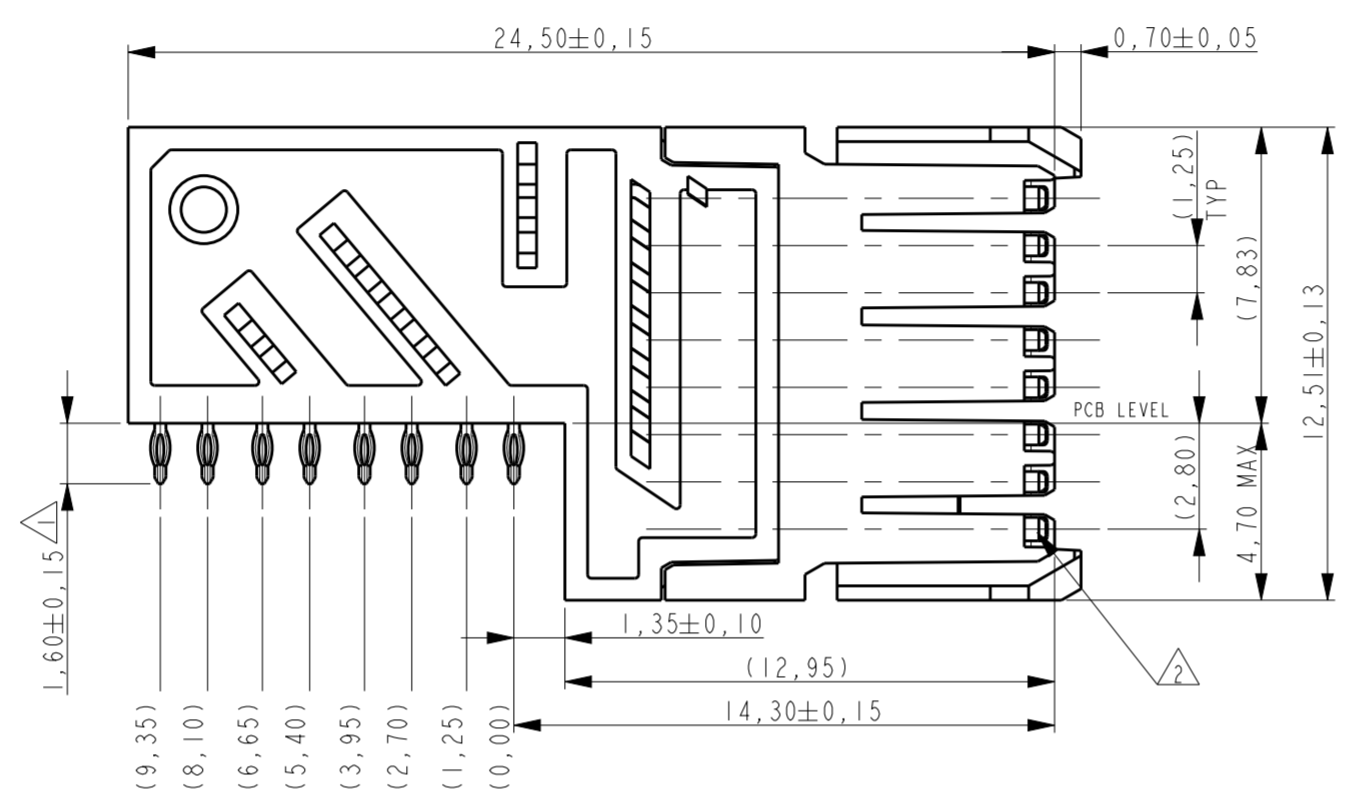
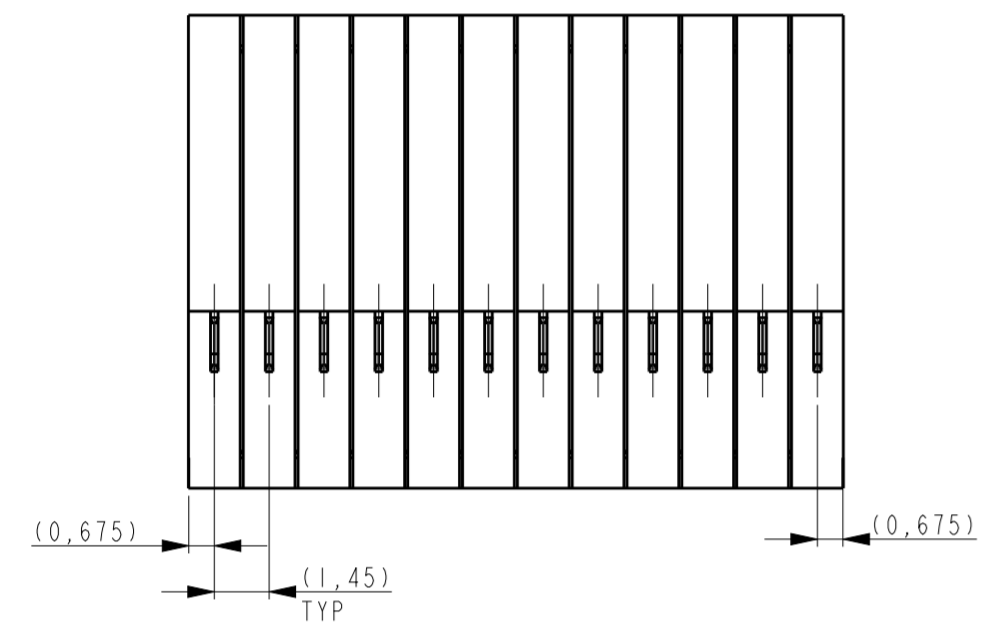
Email & Skype: info@chipsmall.com Web: www.chipsmall.com

Address: A1208, Overseas Decoration Building, #122 Zhenhua RD., Futian, Shenzhen, China

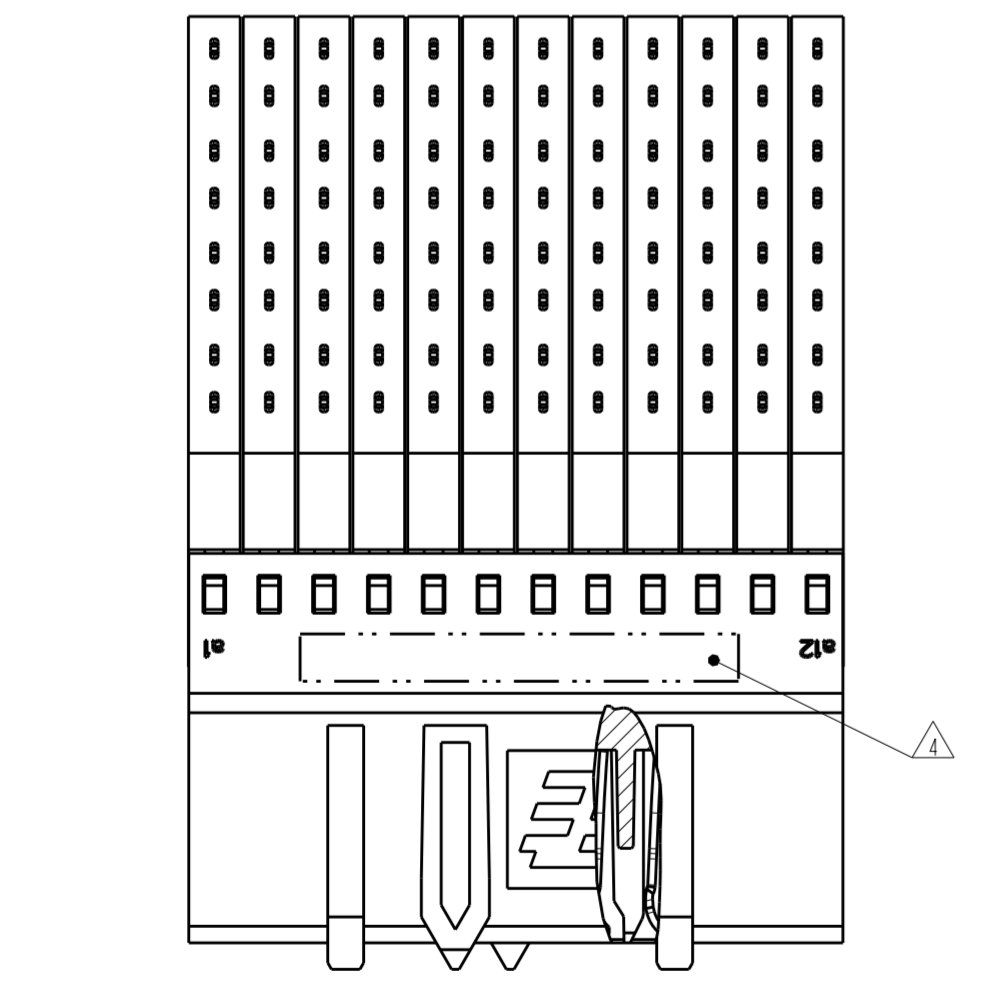


THIS DRAWING IS UNPUBLISHED. RELEASED FOR PUBLICATION
 © COPYRIGHT BY TYCO ELECTRONICS CORPORATION. ALL RIGHTS RESERVED.

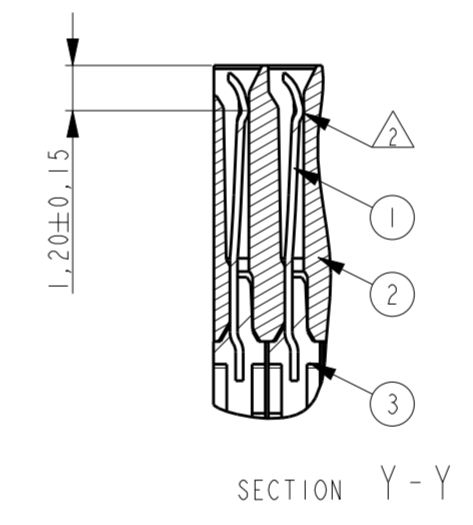
LOC	DIST	REVISIONS			
P	LTR	DESCRIPTION	DATE	DWN	APVD
H	-	A	DRAWING RELEASED PER ECR-11-017294	22AUG2011	JvdH TdB
		AI	CHANGED PER ECR-12-010777	13JUN2012	BM TdB
		B	ADDED TOLERANCES PER ECR-13-006546	17APR2013	JvdH GJV
		C	REVISED PER ECR-13-017996	16DEC2013	FL FY



SCALE 3:1



SECTION W-W
(KEY POSITION)



SECTION Y-Y

NOTES:

- 1 PLATING: 0,5µm MIN. TIN OVER NICKEL.
- 2 PLATING:

PARTNUMBER	PERFORMANCE LEVEL
1982738-1	PERFORMANCE LEVEL 1: CONNECTOR TESTED AND QUALIFIED AGAINST TELCORDIA GR-1217-CORE QUALITY LEVEL III: UNCONTROLLED ENVIRONMENT APPLICATIONS. SEE PRODUCT SPEC 108-19353
1982738-2	PERFORMANCE LEVEL 2: CONFORMS TO ALL TESTING ACCORDING PRODUCT SPEC 108-19320, -250 MATING CYCLES, 4 DAYS MIXED GAS TEST PER IEC 60068-2-60 METHOD 1

- 3 CONSULT APPLICATION SPEC OR CONTACT TE CONNECTIVITY FOR PERMISSIBLE CONTACT ASSIGNMENTS.
- 4 CONNECTOR MARKED WITH PARTNUMBER AND DATE CODE.

3	OVERMOLD	PBT 20% GF GREY
2	HOUSING	LCP 30% GF NATURAL
1	CONTACT	COPPER ALLOY
ITEM NO.	DESCRIPTION	MATERIAL



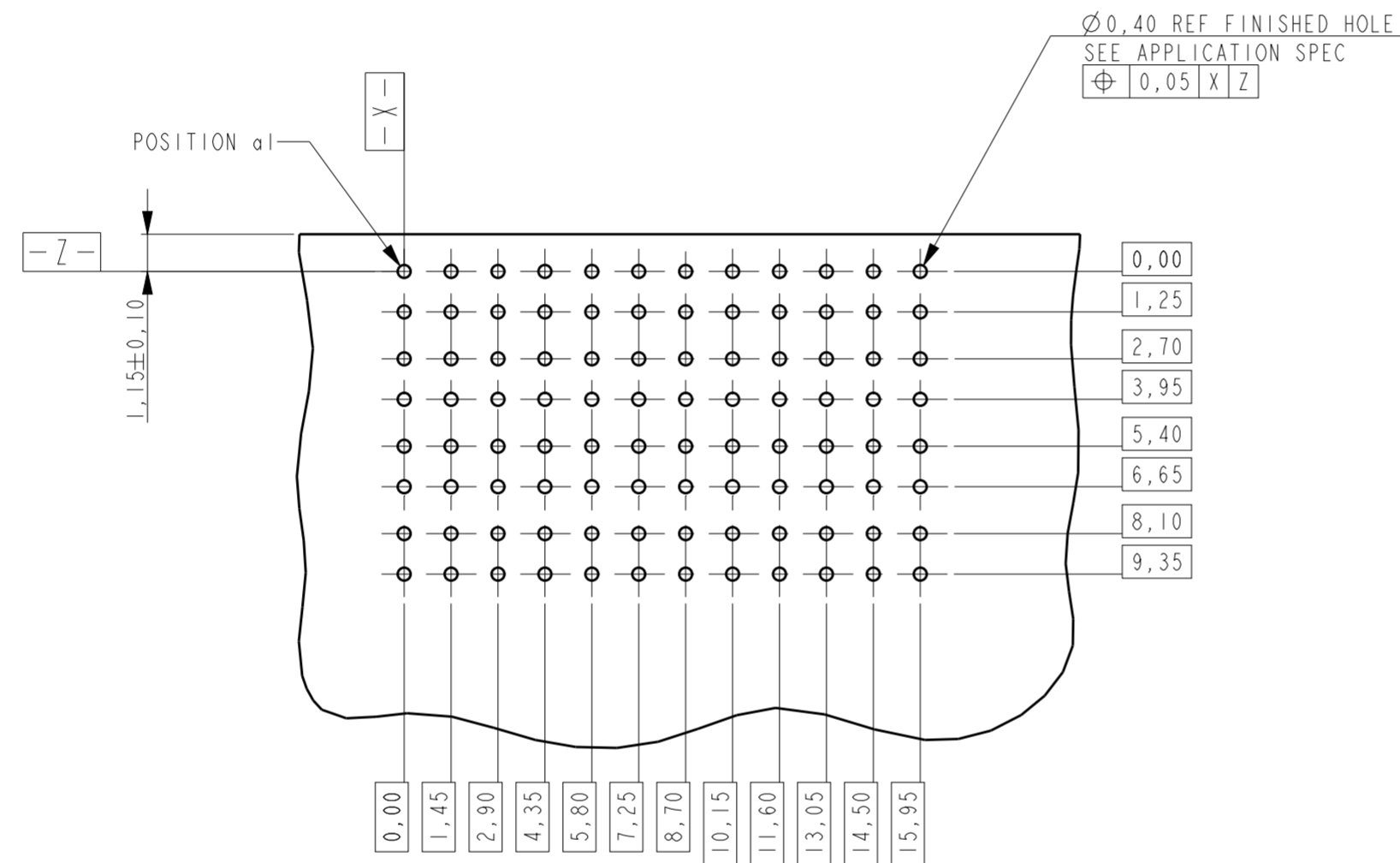
DIMENSIONS:		TOLERANCES UNLESS OTHERWISE SPECIFIED:	
mm		0 PLC	±
		1 PLC	±
		2 PLC	±
		3 PLC	±
		4 PLC	±
		ANGLES	±
		FINISH	±

THIS DRAWING IS A CONTROLLED DOCUMENT.		DWN RA 31-Jan-2008
		CHK RA 31-Jan-2008
		APVD J BROEKSTEEG 31-Jan-2008
		PRODUCT SPEC SEE NOTE 2
		APPLICATION SPEC 114-19106
		WEIGHT -
		Customer Drawing

NAME FEMALE CONNECTOR Z-PACK Slim UHD Common Speed			
SIZE	CAGE CODE	DRAWING NO	RESTRICTED TO
A2	00779	G-1982738	-
SCALE 5:1		SHEET 1 OF 2	REV C

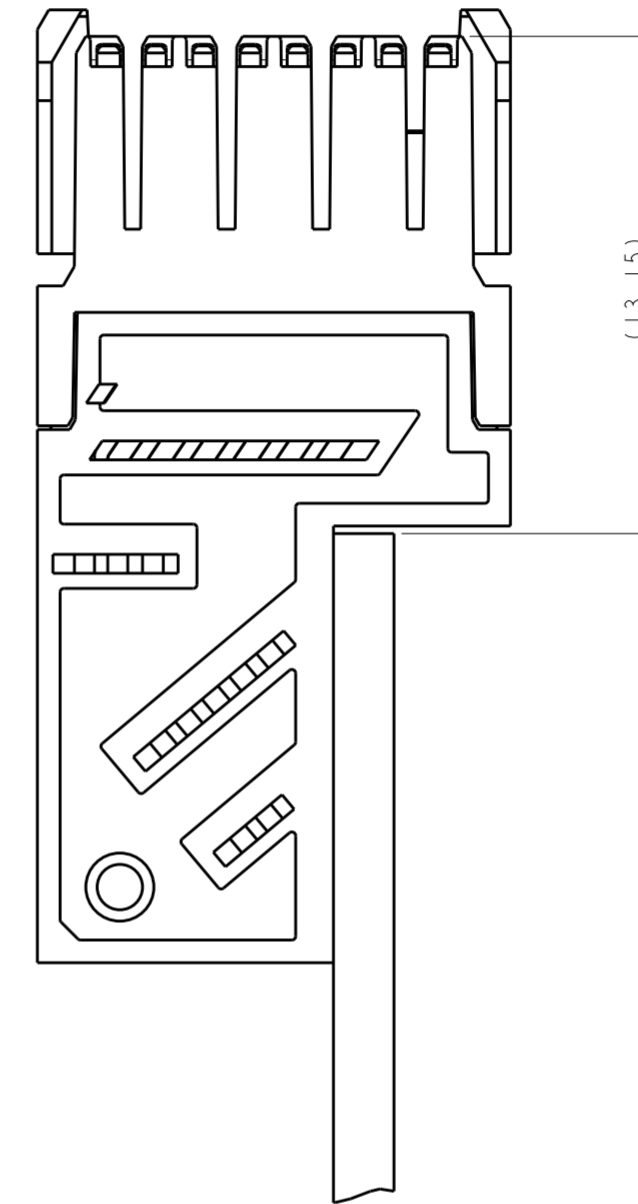
THIS DRAWING IS UNPUBLISHED. RELEASED FOR PUBLICATION
 © COPYRIGHT - BY TYCO ELECTRONICS CORPORATION. ALL RIGHTS RESERVED.

LOC	DIST	REVISIONS			
P	LTR	DESCRIPTION	DATE	DWN	APVD
H	-	SEE SHEET 1	-	-	-



BOARD THICKNESS 1,2 MIN

RECOMMENDED PCB LAYOUT
(COMPONENT SIDE SHOWN)



THIS DRAWING IS A CONTROLLED DOCUMENT.		DWN RA 31-Jan-2008	STE TE Connectivity	
		CHK RA 31-Jan-2008		
DIMENSIONS: mm		APVD J BROEKSTEEG 31-Jan-2008	NAME FEMALE CONNECTOR Z-PACK Slim UHD Common Speed	
TOLERANCES UNLESS OTHERWISE SPECIFIED:		PRODUCT SPEC SEE SHEET 1	RESTRICTED TO -	
0 PLC ±		APPLICATION SPEC SEE SHEET 1	SIZE A2	CAGE CODE 00779
1 PLC ±			DRAWING NO C-1982738	
2 PLC ±				
3 PLC ±				
4 PLC ±				
ANGLES ±				
FINISH		WEIGHT -		
MATERIAL -		Customer Drawing	SCALE 5:1	SHEET 2 OF 2
				REV C