



Chipsmall Limited consists of a professional team with an average of over 10 year of expertise in the distribution of electronic components. Based in Hongkong, we have already established firm and mutual-benefit business relationships with customers from,Europe,America and south Asia,supplying obsolete and hard-to-find components to meet their specific needs.

With the principle of “Quality Parts,Customers Priority,Honest Operation,and Considerate Service”,our business mainly focus on the distribution of electronic components. Line cards we deal with include Microchip,ALPS,ROHM,Xilinx,Pulse,ON,Everlight and Freescale. Main products comprise IC,Modules,Potentiometer,IC Socket,Relay,Connector.Our parts cover such applications as commercial,industrial, and automotives areas.

We are looking forward to setting up business relationship with you and hope to provide you with the best service and solution. Let us make a better world for our industry!



Contact us

Tel: +86-755-8981 8866 Fax: +86-755-8427 6832

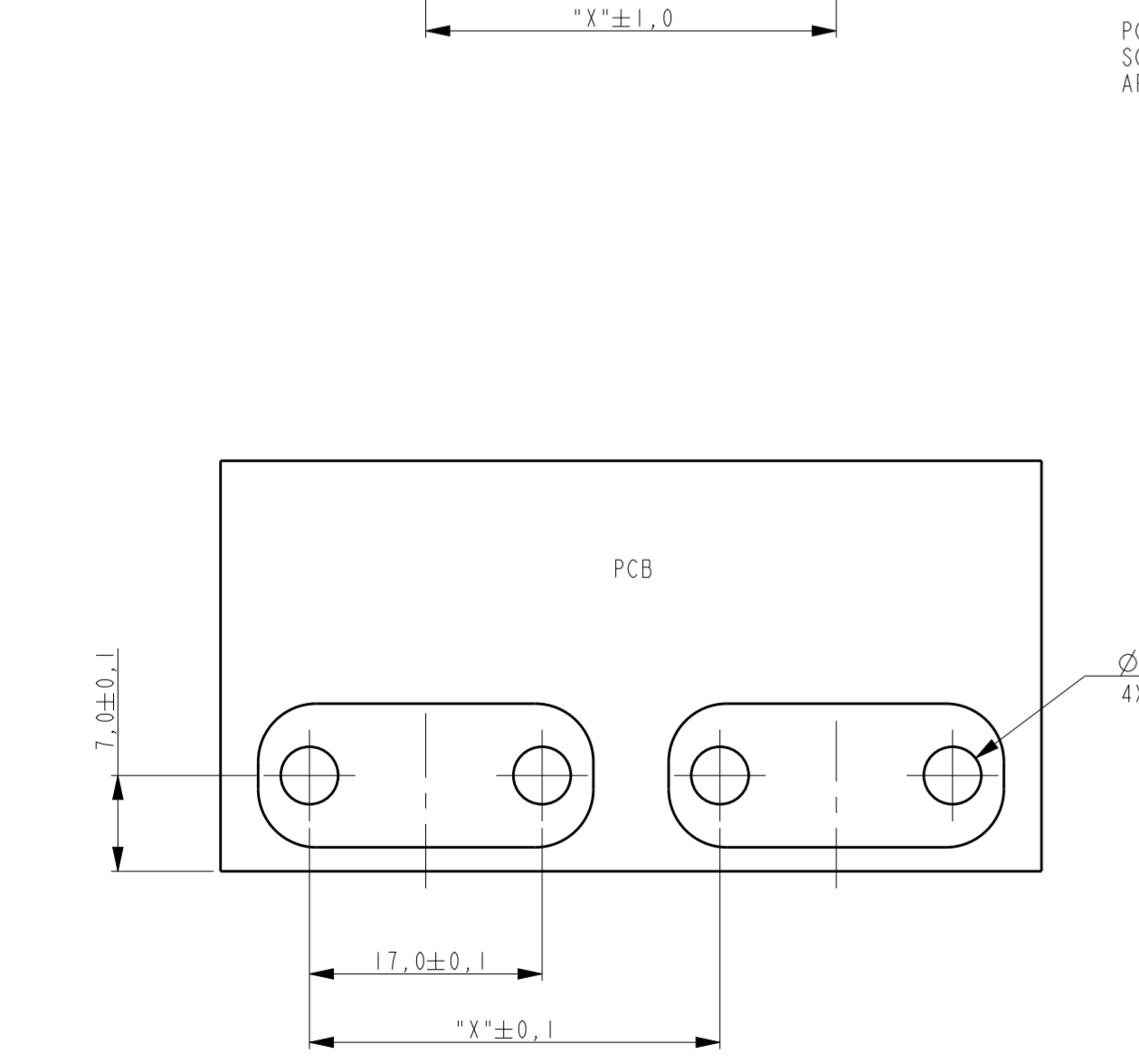
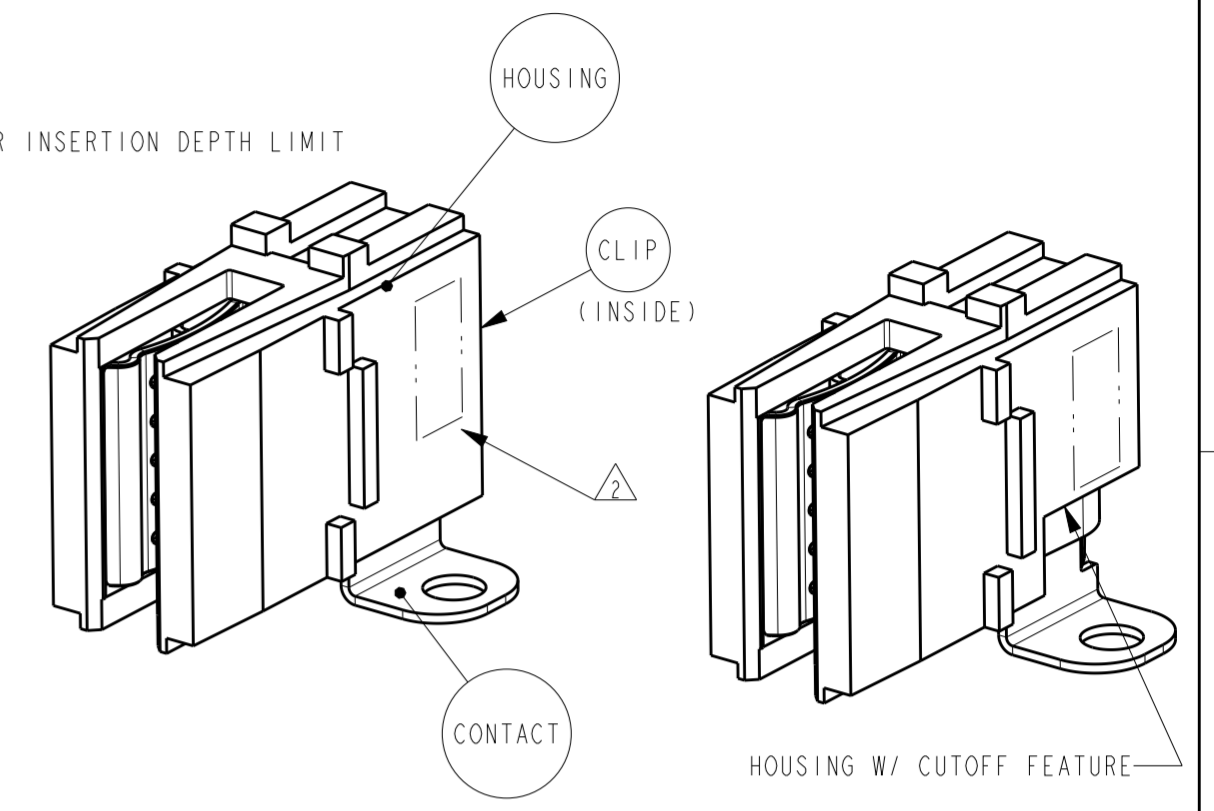
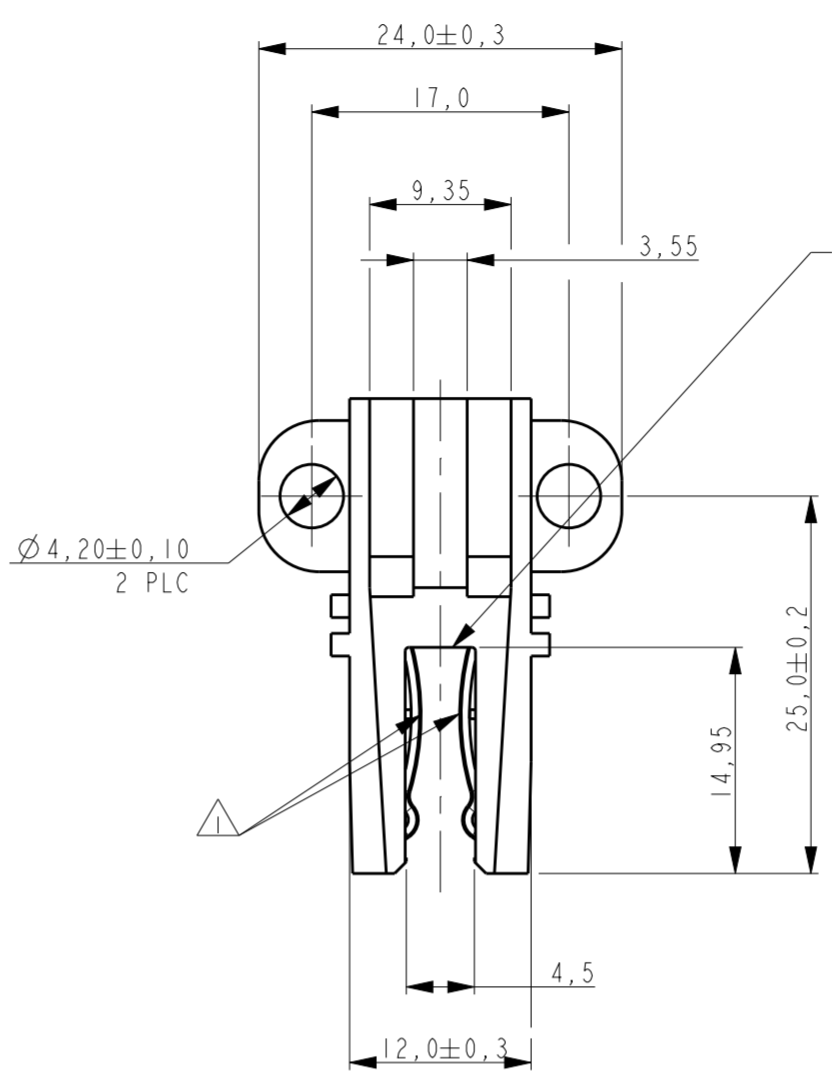
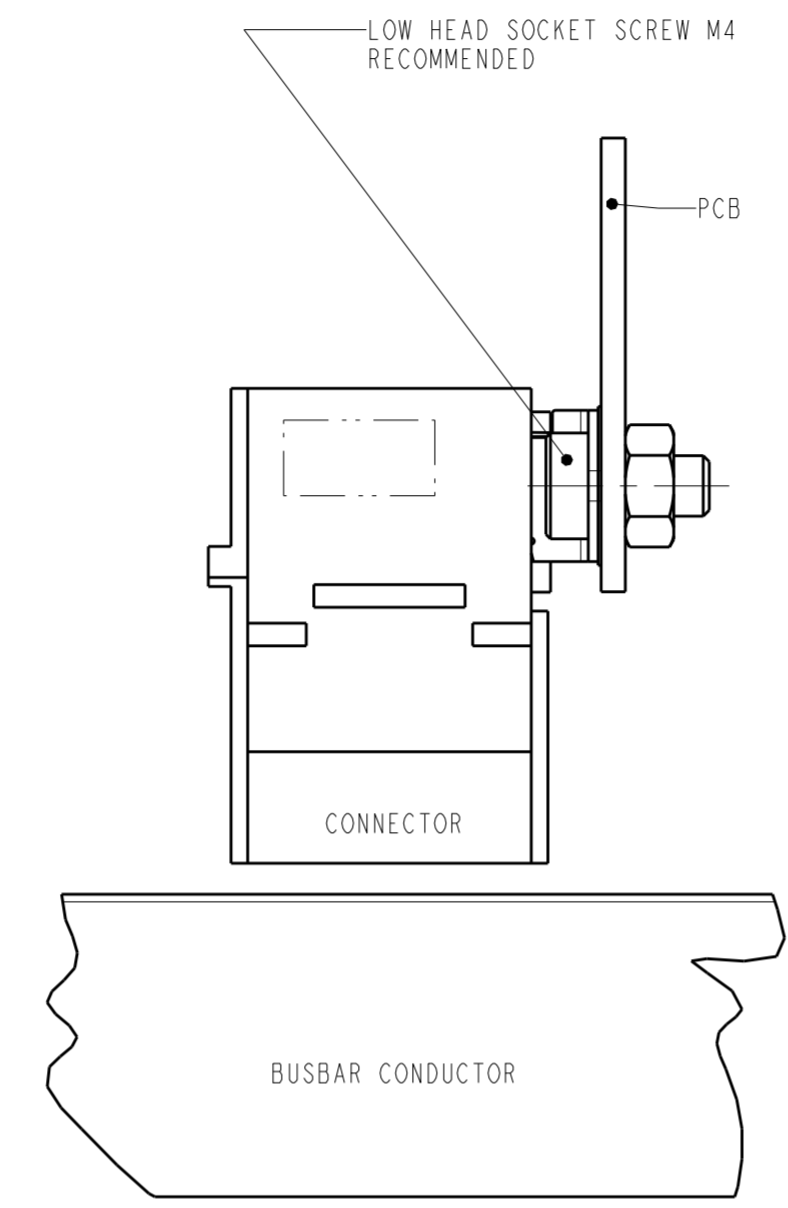
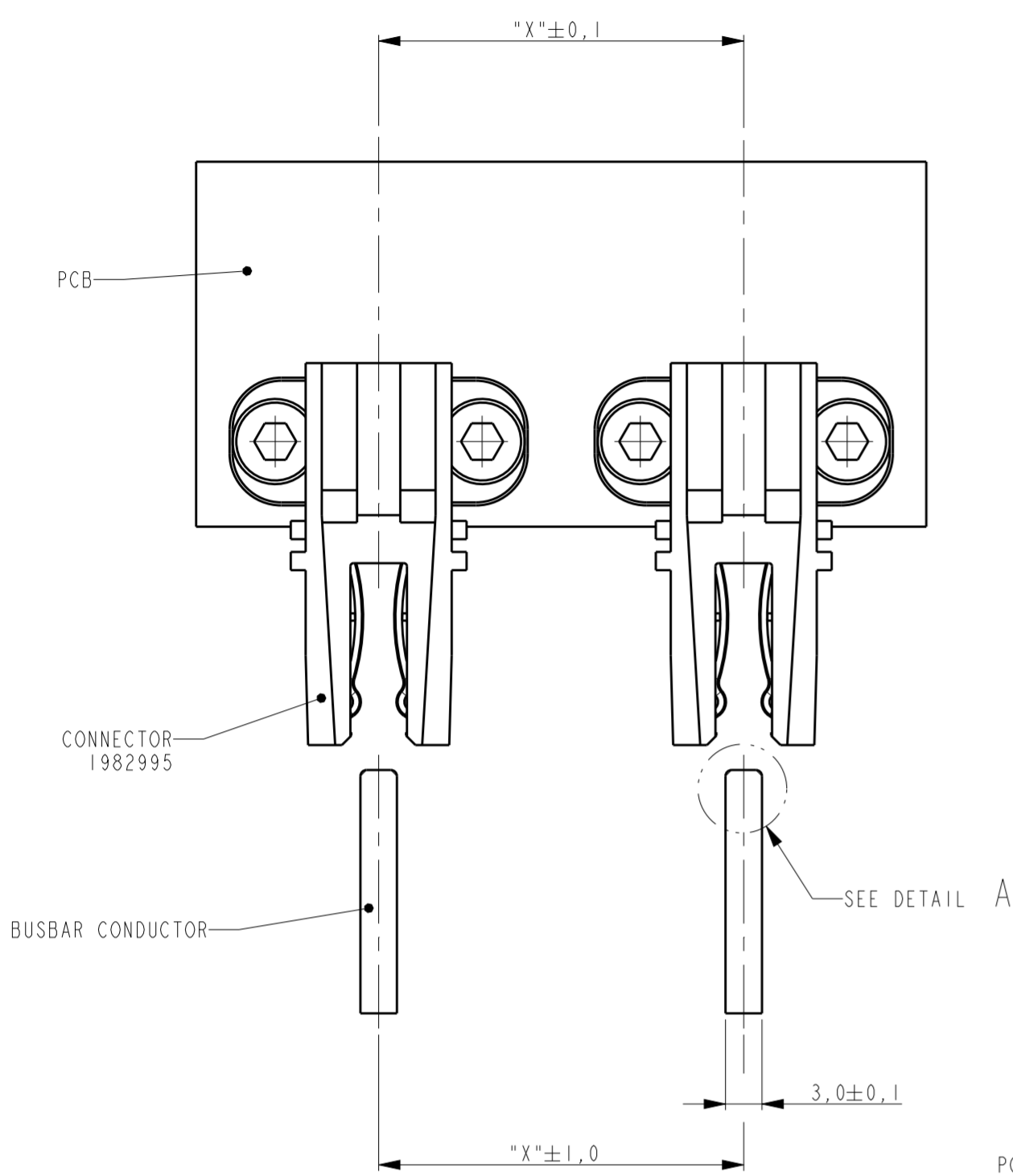
Email & Skype: info@chipsmall.com Web: www.chipsmall.com

Address: A1208, Overseas Decoration Building, #122 Zhenhua RD., Futian, Shenzhen, China

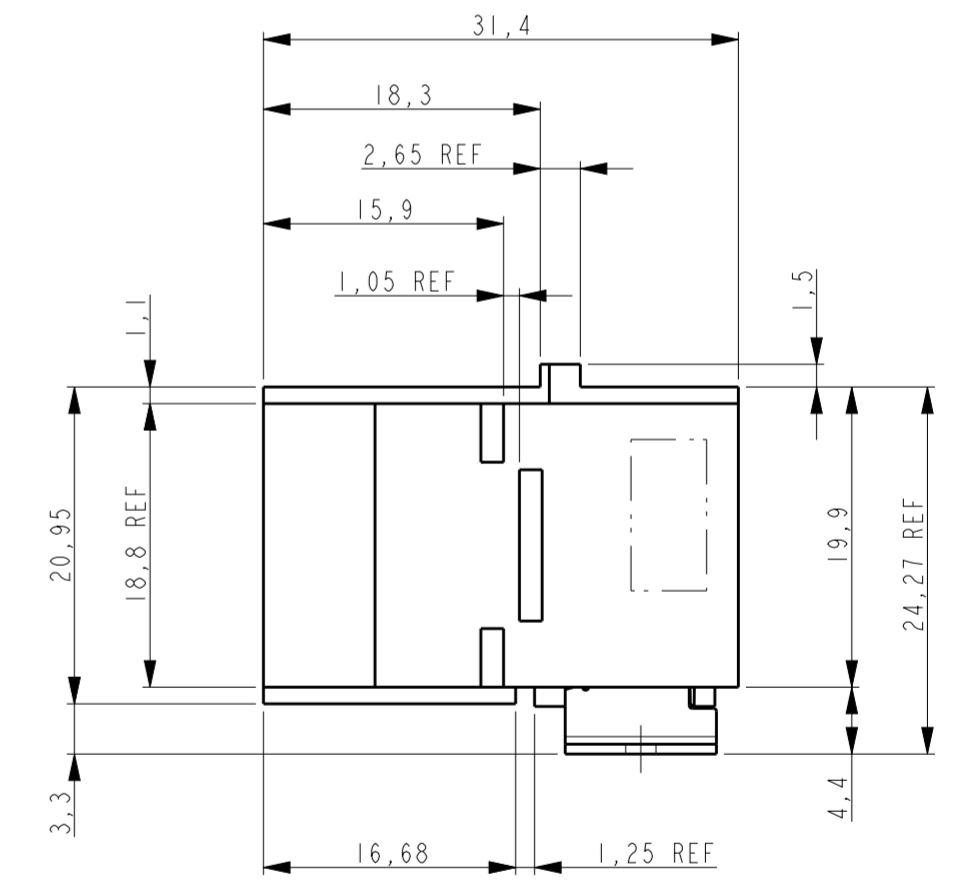
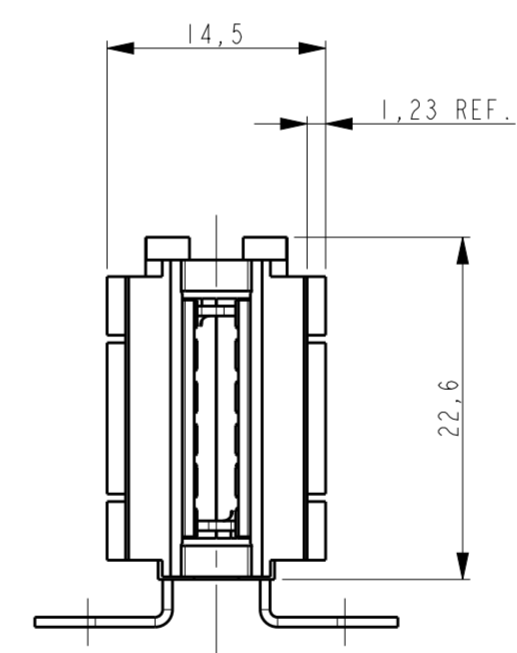
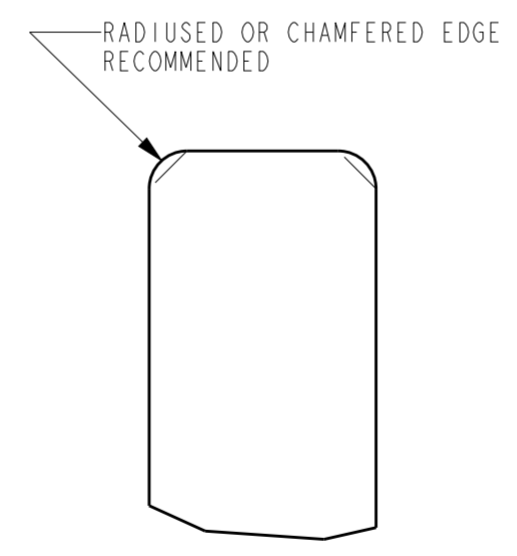


THIS DRAWING IS UNPUBLISHED. RELEASED FOR PUBLICATION
 © COPYRIGHT - BY - ALL RIGHTS RESERVED.

REVISIONS					
P	LTR	DESCRIPTION	DATE	DWN	APVD
A8		REV PER ECR-15-007945	16MAY2015	ML	SZ



PCB, BUSBAR-CONDUCTORS, SCREWS AND NUTS IN THESE VIEWS ARE SHOWN FOR REFERENCE ONLY.



- NOTES:
- 1 PLATING: 1,2µm MIN. NICKEL UNDERLAYER ALLOVER. 3,0µm MIN. TIN IN INDICATED AREA'S.
 - 2 AREA FOR PART NUMBER AND DATE-CODE.
 - 3 PLATING: 1,2µm MIN. NICKEL UNDERLAYER ALLOVER. 3,0µm MIN. SILVER IN INDICATED AREA'S.
 - 4 MATERIAL: POWER CONTACT: COPPER ALLOY; CLIP: STAINLESS STEEL; HOUSING: PBT, BLACK, UL 94V0 FLAMMABILITY RATED.

THIS DRAWING IS A CONTROLLED DOCUMENT.		DWN J.VOS 13-Feb-08	TE Connectivity	
		CHK R.DAAMEN 13-Feb-08		
DIMENSIONS: mm		APVD R.VD.SANDT	NAME PLUGGABLE BUSBAR CONNECTOR SCREW MOUNT VERSION CROWN CLIP JUNIOR	
TOLERANCES UNLESS OTHERWISE SPECIFIED:		PRODUCT SPEC 108-19360-1	SIZE A2	
0 PLC ±		APPLICATION SPEC 114-19128	CAGE CODE -	
1 PLC ±0.3		WEIGHT -	DRAWING NO. C-1982995	
2 PLC ±0.15		RESTRICTED TO -		
3 PLC ±0.005		SCALE 2:1 SHEET 1 OF 1 REV A8		
4 PLC ±				
ANGLES ±2°				
FINISH				

RECOMMENDED PCB LAY-OUT THICKNESS: 1,5 mm Min.