



Chipsmall Limited consists of a professional team with an average of over 10 year of expertise in the distribution of electronic components. Based in Hongkong, we have already established firm and mutual-benefit business relationships with customers from,Europe,America and south Asia,supplying obsolete and hard-to-find components to meet their specific needs.

With the principle of “Quality Parts,Customers Priority,Honest Operation,and Considerate Service”,our business mainly focus on the distribution of electronic components. Line cards we deal with include Microchip,ALPS,ROHM,Xilinx,Pulse,ON,Everlight and Freescale. Main products comprise IC,Modules,Potentiometer,IC Socket,Relay,Connector.Our parts cover such applications as commercial,industrial, and automotives areas.

We are looking forward to setting up business relationship with you and hope to provide you with the best service and solution. Let us make a better world for our industry!



Contact us

Tel: +86-755-8981 8866 Fax: +86-755-8427 6832

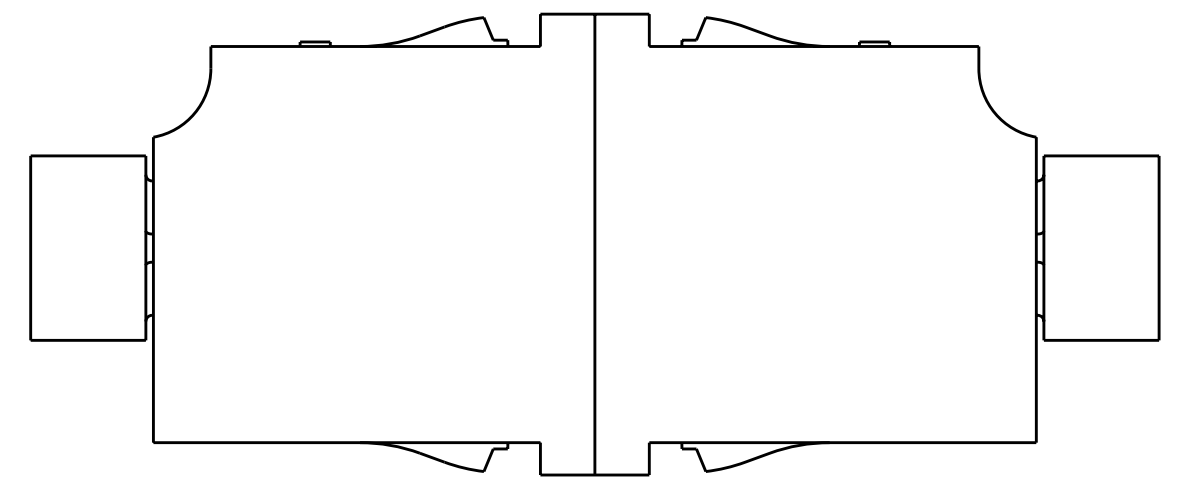
Email & Skype: info@chipsmall.com Web: www.chipsmall.com

Address: A1208, Overseas Decoration Building, #122 Zhenhua RD., Futian, Shenzhen, China

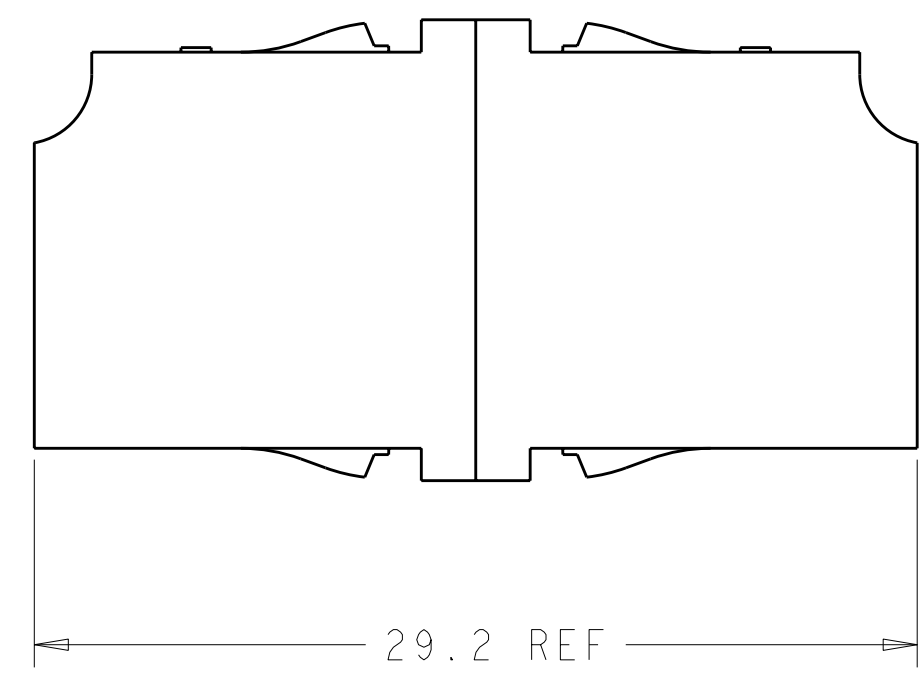
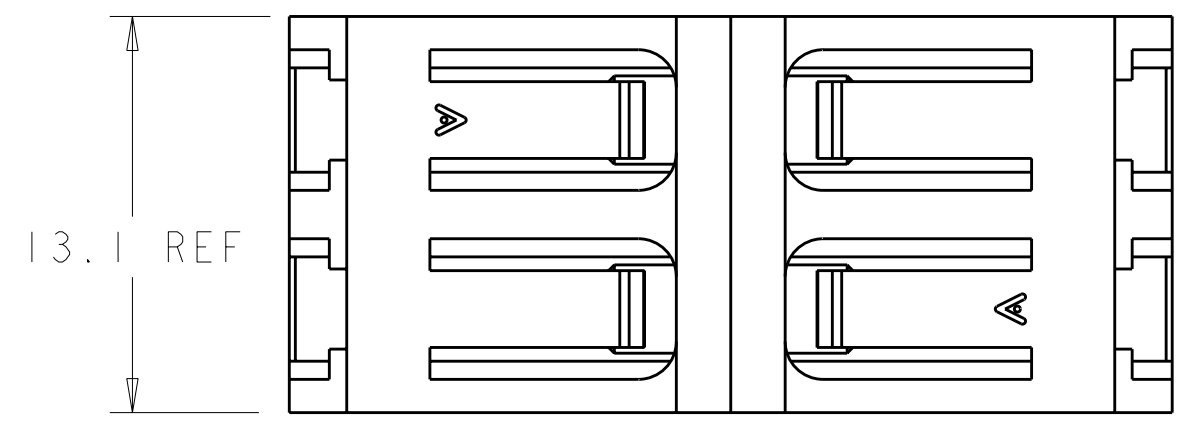


LOC	DIST	REVISIONS					
		P	LTB	DESCRIPTION	DATE	DWN	APVD
HG	-	A		ECR-08-032503	22DEC2008	EJH	DB
		A1		REV PER ECR-10-016231	10AUG2010	IL	CT

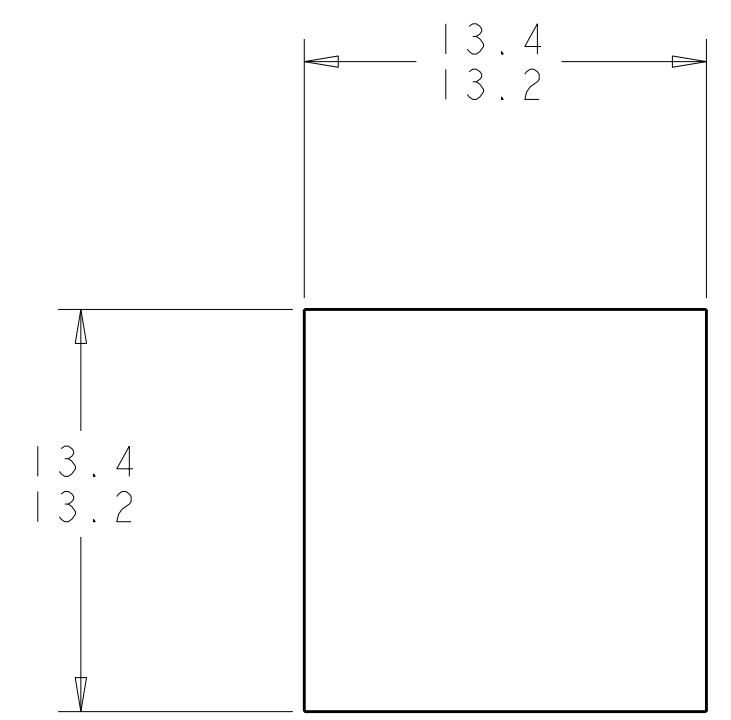
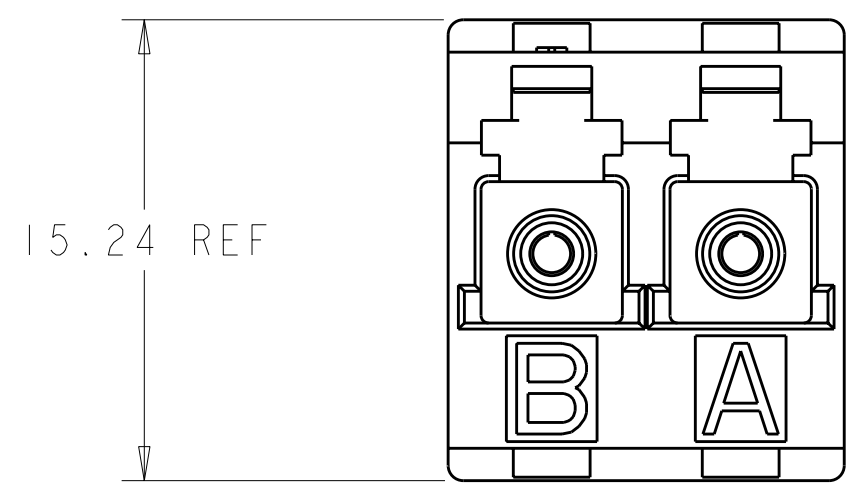
⚠ MATERIAL:
 HOUSINGS: THERMOPLASTIC, PPE-PS*
 ALIGNMENT SLEEVES: CERAMIC OR PHOS. BRONZE
 PROTECTIVE COVERS: THERMOPLASTIC ELASTOMER*
 * UL 94 V-0 RATED AT QUALIFYING THICKNESS



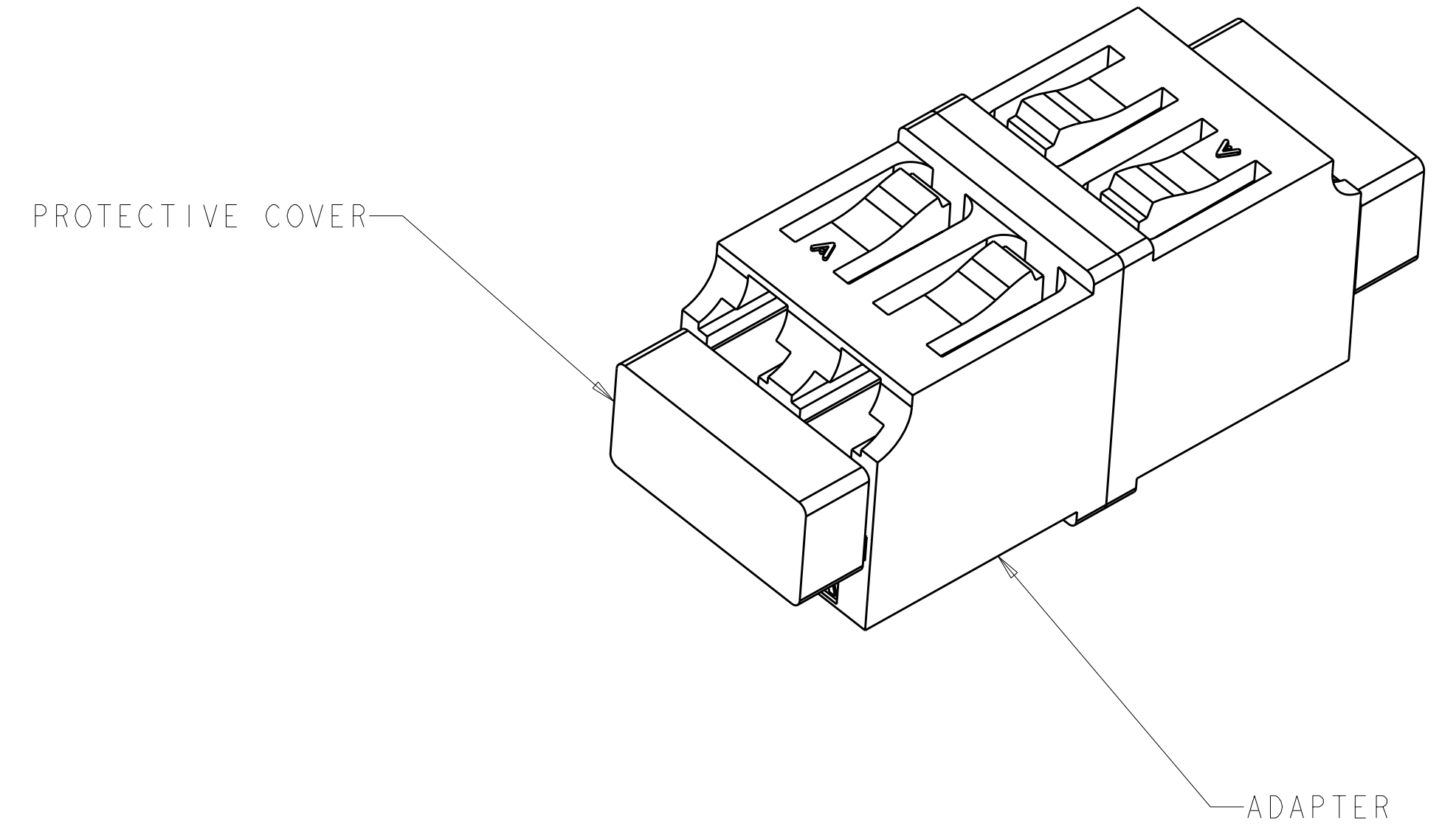
SIDE VIEW WITH PROTECTIVE COVERS SHOWN



PROTECTIVE COVERS NOT SHOWN



RECOMMENDED PANEL CUTOUT
 MAX PANEL THK. 1.7



BEIGE	PHOS. BRONZE	1985149-4
BLUE	PHOS. BRONZE	1985149-3
BEIGE	CERAMIC	1985149-2
BLUE	CERAMIC	1985149-1
ADAPTER COLOR ALIGNMENT SLEEVE		PART NO.

<small>THIS DRAWING IS UNPUBLISHED. RELEASED FOR PUBLICATION. ALL RIGHTS RESERVED. THIS DRAWING IS UNPUBLISHED. RELEASED FOR PUBLICATION. ALL RIGHTS RESERVED. THIS DRAWING IS UNPUBLISHED. RELEASED FOR PUBLICATION. ALL RIGHTS RESERVED.</small>		DWN: R. GLATFELTER 07 JUN 2007 CHK: E. HOPKINS 11 JUN 2007 APVD: D. BAECHTLE 11 JUN 2007	Tyco Electronics Corporation Shanghai, China
DIMENSIONS: mm TOLERANCES UNLESS OTHERWISE SPECIFIED: 0 PLC ± 1 PLC ± 2 PLC ± 3 PLC ± 4 PLC ± ANGLES ± FINISH ±		NAME: LC ADAPTER ASSEMBLY, SR-SR PRODUCT SPEC: - APPLICATION SPEC: - WEIGHT: - CUSTOMER DRAWING	SIZE: A1 CAGE CODE: - DRAWING NO: C-1985149 SCALE: 4:1 SHEET: 1 OF 1 REV: A1