



Chipsmall Limited consists of a professional team with an average of over 10 year of expertise in the distribution of electronic components. Based in Hongkong, we have already established firm and mutual-benefit business relationships with customers from,Europe,America and south Asia,supplying obsolete and hard-to-find components to meet their specific needs.

With the principle of “Quality Parts,Customers Priority,Honest Operation,and Considerate Service”,our business mainly focus on the distribution of electronic components. Line cards we deal with include Microchip,ALPS,ROHM,Xilinx,Pulse,ON,Everlight and Freescale. Main products comprise IC,Modules,Potentiometer,IC Socket,Relay,Connector.Our parts cover such applications as commercial,industrial, and automotives areas.

We are looking forward to setting up business relationship with you and hope to provide you with the best service and solution. Let us make a better world for our industry!



Contact us

Tel: +86-755-8981 8866 Fax: +86-755-8427 6832

Email & Skype: info@chipsmall.com Web: www.chipsmall.com

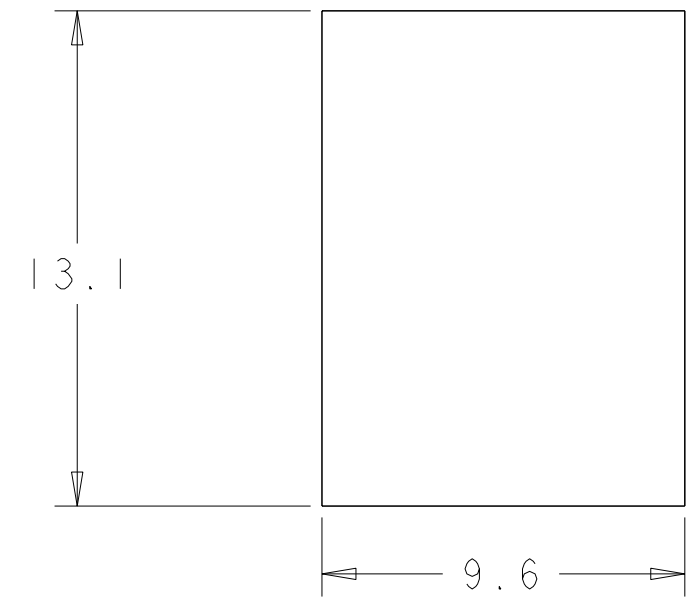
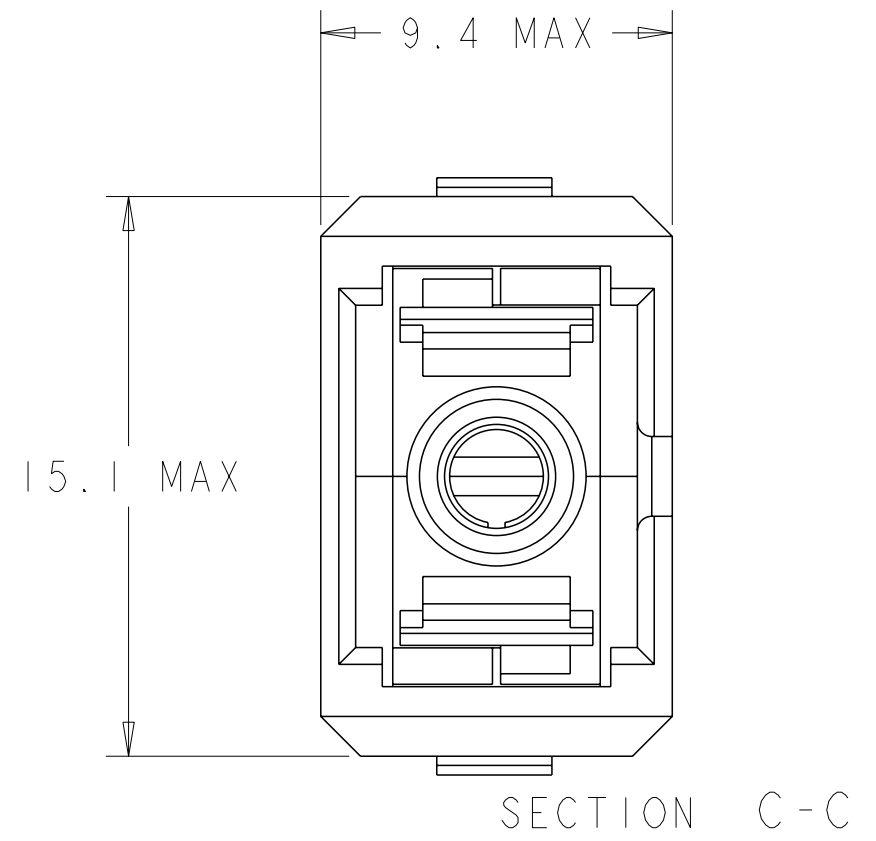
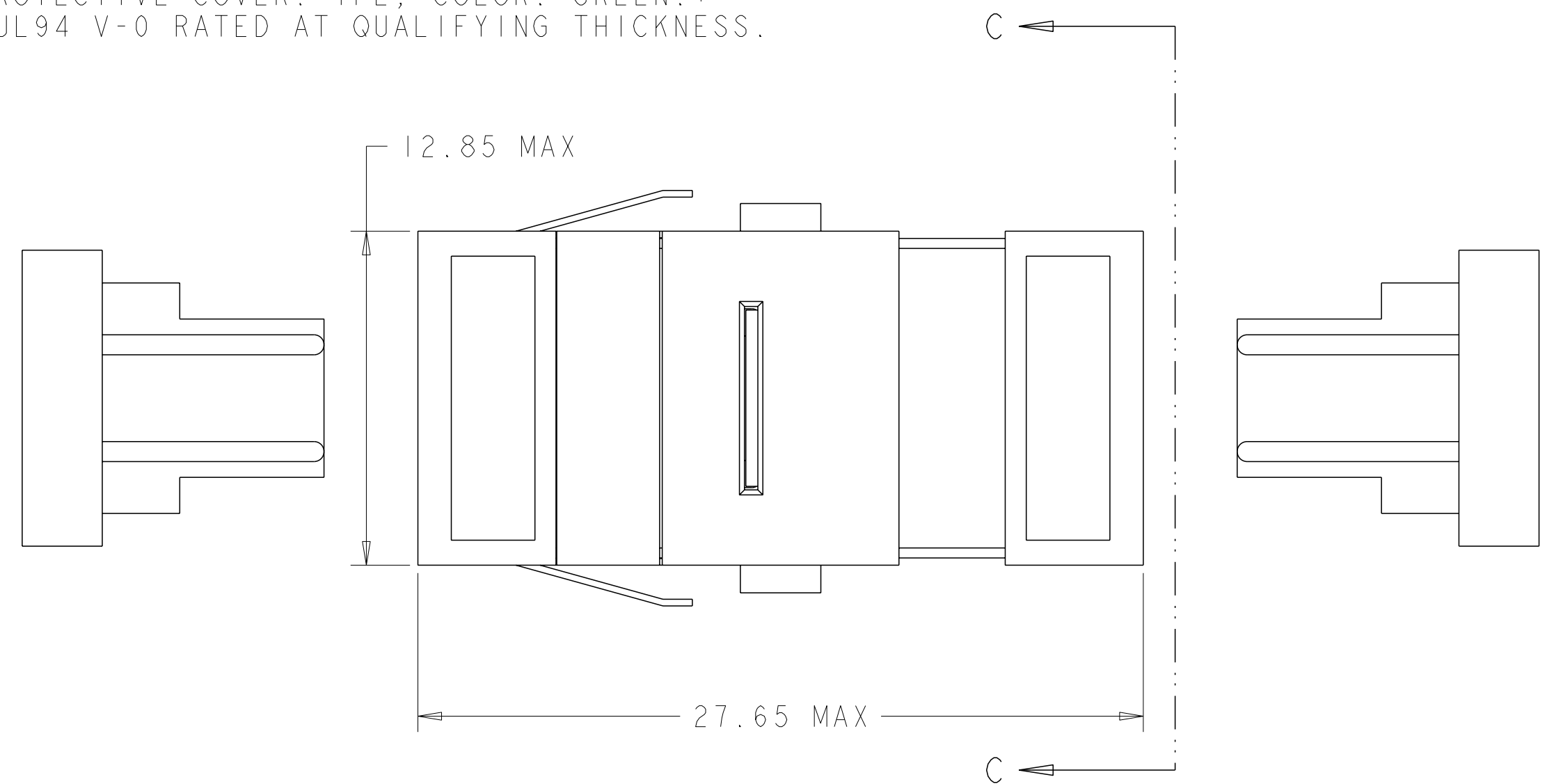
Address: A1208, Overseas Decoration Building, #122 Zhenhua RD., Futian, Shenzhen, China



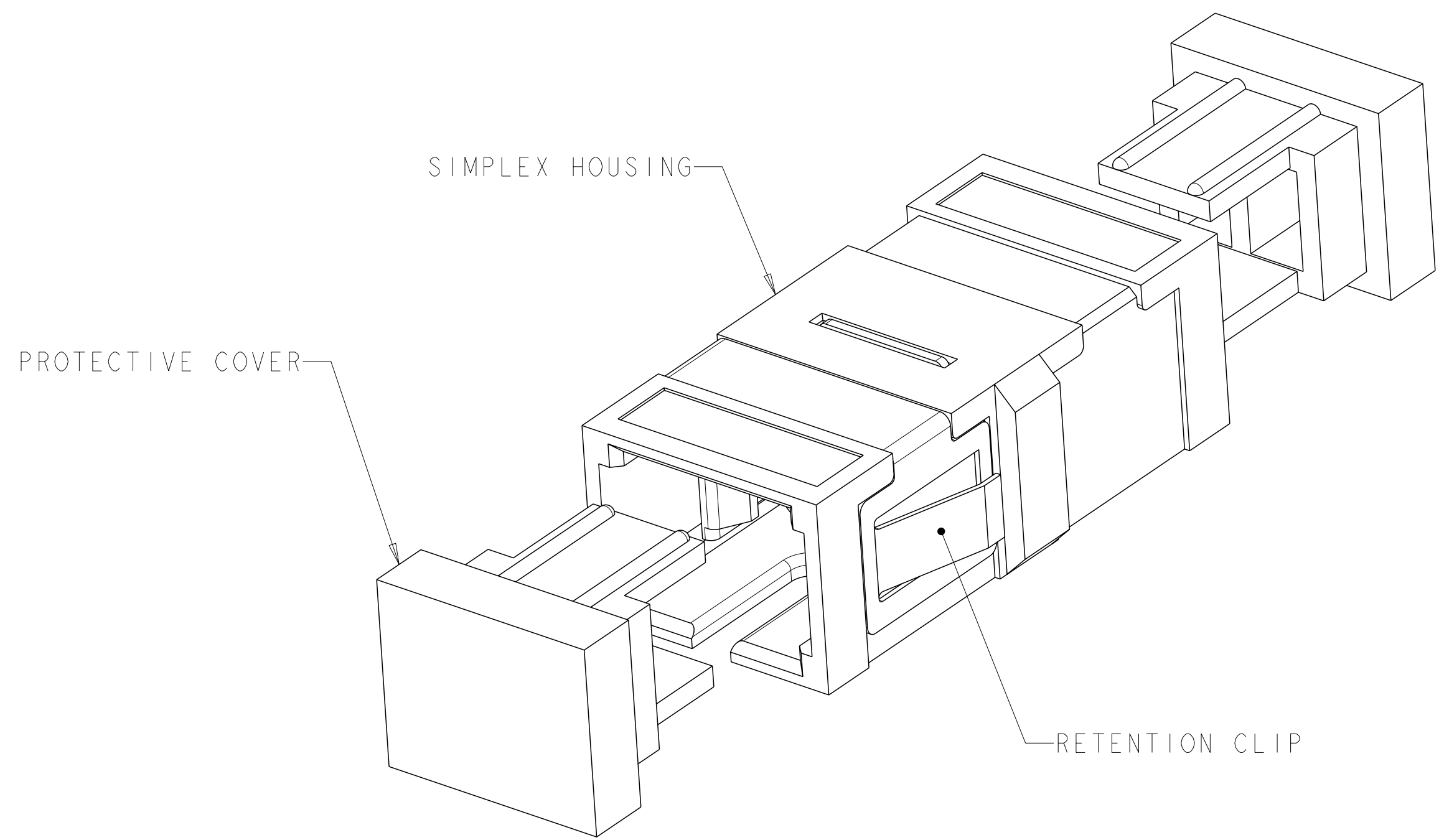
THIS DRAWING IS UNPUBLISHED. RELEASED FOR PUBLICATION
 © COPYRIGHT - ALL RIGHTS RESERVED.

LOC		DIST		REVISIONS			
P	LTR	DESCRIPTION	DATE	DWN	APVD		
	B	ECR-14-014954	09OCT2014	HZ	RZ		

MATERIAL:
 HOUSING: PBT-GF30, COLOR: GREEN.*
 RETAINER: PEI-GF30, COLOR: BLACK.*
 RETENTION CLIP: STAINLESS STEEL.
 ALIGNMENT SLEEVE: CERAMIC
 PROTECTIVE COVER: TPE, COLOR: GREEN.*
 *UL94 V-0 RATED AT QUALIFYING THICKNESS.



SUGGESTED PANEL CUTOUT
 MAX PANEL THICKNESS 1.7



1985756-1
 PART NUMBER

THIS DRAWING IS A CONTROLLED DOCUMENT.		DWN B. BRIGGS 03JAN2008	STE TE Connectivity	
		CHK S. MILLER 03JAN2008		
DIMENSIONS: mm		APVD S. BUCHTER 03JAN2008	NAME ADAPTER, SC, SIMPLEX, APC	
TOLERANCES UNLESS OTHERWISE SPECIFIED:		PRODUCT SPEC	SIZE CAGE CODE DRAWING NO	
0 PLC ±		APPLICATION SPEC	RESTRICTED TO	
1 PLC ±0.1		WEIGHT	A200779C-1985756	
2 PLC ±0.05		CUSTOMER DRAWING	SCALE 5:1	SHEET 1 OF 1
3 PLC ±				REV B
4 PLC ±				
ANGLES ±				
FINISH				