



Chipsmall Limited consists of a professional team with an average of over 10 year of expertise in the distribution of electronic components. Based in Hongkong, we have already established firm and mutual-benefit business relationships with customers from,Europe,America and south Asia,supplying obsolete and hard-to-find components to meet their specific needs.

With the principle of “Quality Parts,Customers Priority,Honest Operation,and Considerate Service”,our business mainly focus on the distribution of electronic components. Line cards we deal with include Microchip,ALPS,ROHM,Xilinx,Pulse,ON,Everlight and Freescale. Main products comprise IC,Modules,Potentiometer,IC Socket,Relay,Connector.Our parts cover such applications as commercial,industrial, and automotives areas.

We are looking forward to setting up business relationship with you and hope to provide you with the best service and solution. Let us make a better world for our industry!



Contact us

Tel: +86-755-8981 8866 Fax: +86-755-8427 6832

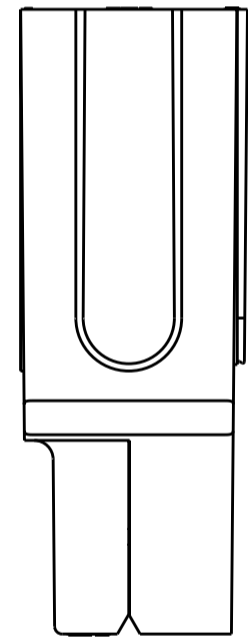
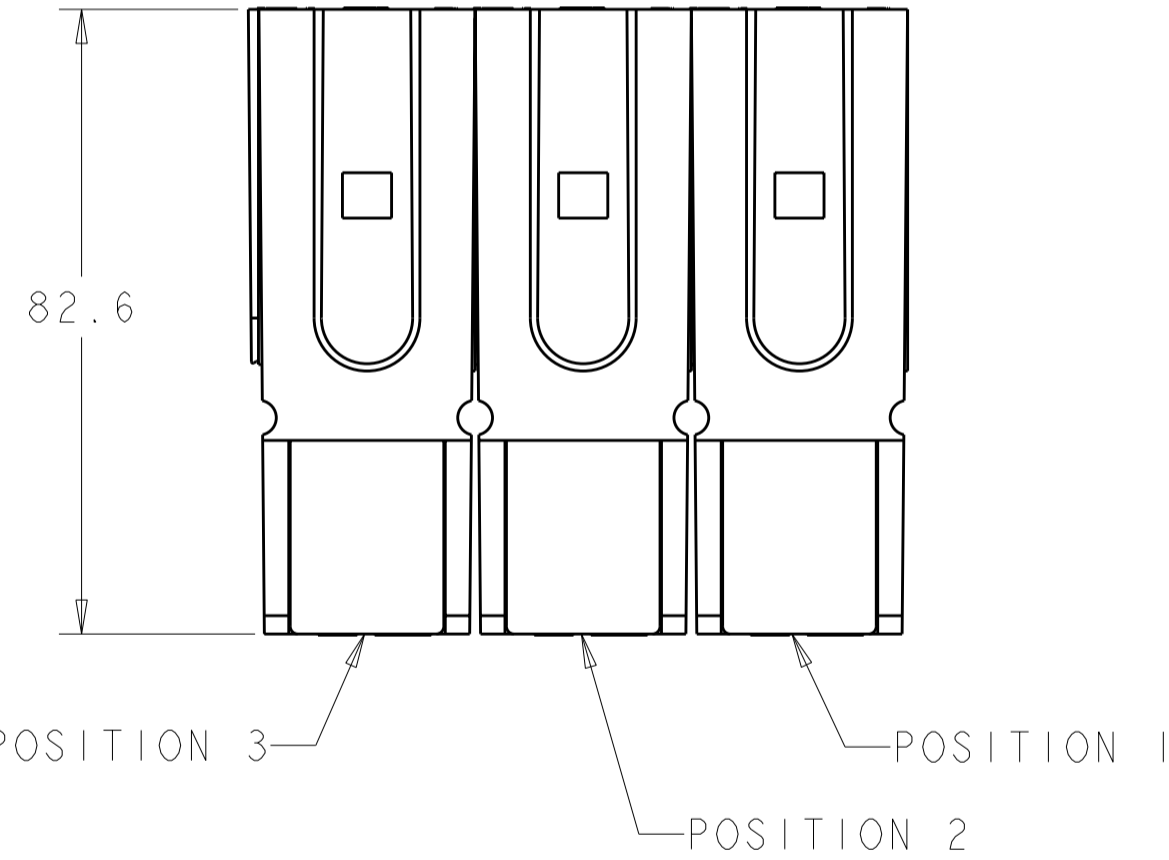
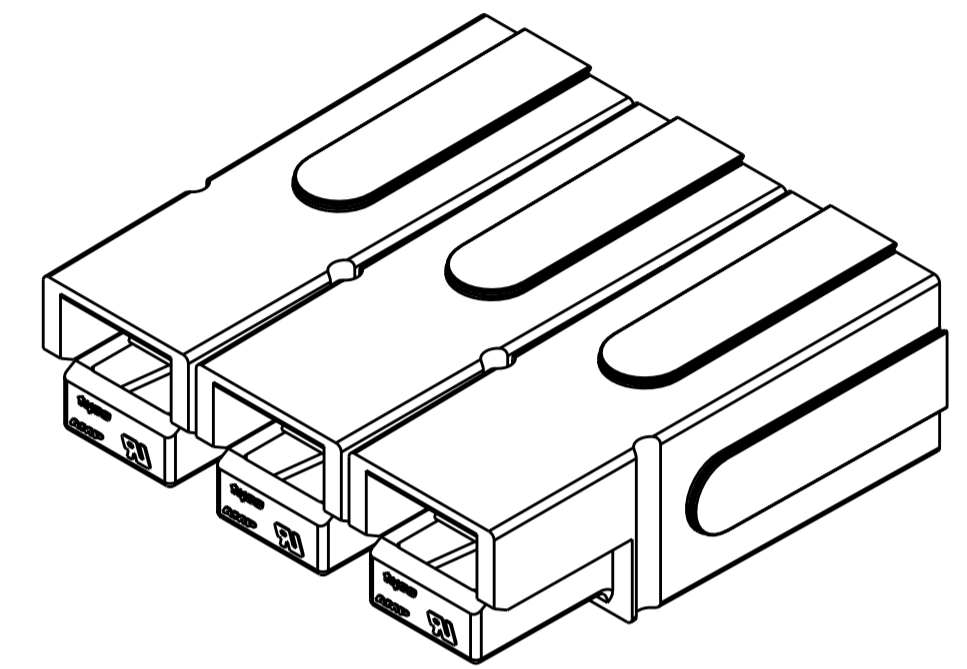
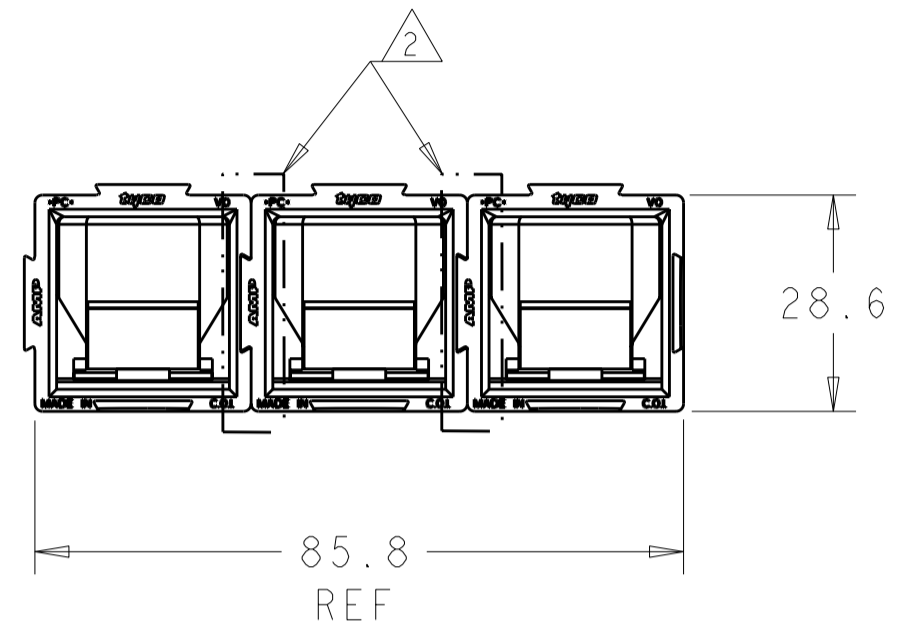
Email & Skype: info@chipsmall.com Web: www.chipsmall.com

Address: A1208, Overseas Decoration Building, #122 Zhenhua RD., Futian, Shenzhen, China



THIS DRAWING IS UNPUBLISHED. RELEASED FOR PUBLICATION 20
 © COPYRIGHT 20 BY TYCO ELECTRONICS CORPORATION. ALL RIGHTS RESERVED.

LOC		DIST		REVISIONS			
P	LTR	DESCRIPTION	DATE	DWN	APVD		
FT	0						
	A	PRELIMINARY	17JAN2007	SW	SH		
	B	REVISED ECO-07-001975	25JAN2007	SW	SH		
	C	REVISED PER ECO-07-005280	07MAR2007	SS	SH		
	D	REVISED ECO-07-022170	01OCT2007	SW	FD		



- 1 MATERIAL AND FINISH:
HOUSING - POLYCARBONATE, COLOR: SEE TABLE
SPRING - STAINLESS STEEL
- 2 ULTRASONICALLY WELDED IN AREA INDICATED.

2, 3	2	POSN 1	1	1986002-2
POSN 1	1	2, 3	2	1986002-1
POSN	QTY	POSN	QTY	PART NUMBER
RED		BLUE		
HOUSING SUBASSEMBLY				

THIS DRAWING IS A CONTROLLED DOCUMENT FOR TYCO ELECTRONICS CORPORATION. IT IS SUBJECT TO CHANGE AND THE CONTROLLING ENGINEERING ORGANIZATION SHOULD BE CONTACTED FOR THE LATEST REVISION.		DWN	S. WELDON	17JAN2007	Tyco Electronics Harrisburg, PA 17105-3608
DIMENSIONS:		CHK	S. HEADER	17JAN2007	
mm		APVD	S. HEADER	17JAN2007	
TOLERANCES UNLESS OTHERWISE SPECIFIED:		PRODUCT SPEC			
0 PLC ±0		APPLICATION SPEC			
1 PLC ±0		WEIGHT			
2 PLC ±0		SCALE			
3 PLC ±0		SHEET			
4 PLC ±0		OF			
ANGLES ±		REV			
FINISH		CUSTOMER DRAWING			