



Chipsmall Limited consists of a professional team with an average of over 10 year of expertise in the distribution of electronic components. Based in Hongkong, we have already established firm and mutual-benefit business relationships with customers from,Europe,America and south Asia,supplying obsolete and hard-to-find components to meet their specific needs.

With the principle of “Quality Parts,Customers Priority,Honest Operation,and Considerate Service”,our business mainly focus on the distribution of electronic components. Line cards we deal with include Microchip,ALPS,ROHM,Xilinx,Pulse,ON,Everlight and Freescale. Main products comprise IC,Modules,Potentiometer,IC Socket,Relay,Connector.Our parts cover such applications as commercial,industrial, and automotives areas.

We are looking forward to setting up business relationship with you and hope to provide you with the best service and solution. Let us make a better world for our industry!



Contact us

Tel: +86-755-8981 8866 Fax: +86-755-8427 6832

Email & Skype: info@chipsmall.com Web: www.chipsmall.com

Address: A1208, Overseas Decoration Building, #122 Zhenhua RD., Futian, Shenzhen, China



THIS DRAWING IS UNPUBLISHED.

RELEASED FOR PUBLICATION

20

© COPYRIGHT 20

BY -

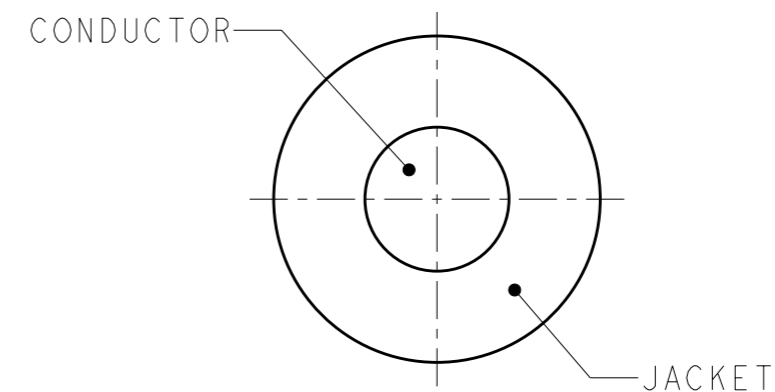
ALL RIGHTS RESERVED.

LOC FT DIST 0

REVISIONS

P	LTR	DESCRIPTION	DATE	DWN	APVD
	C3	REVISED PER ECO-11-005027	17MAR2011	RK	HMR

1. CONDUCTOR
NOMINAL STRANDING: 41/0100
NOMINAL DIAMETER: .075
2. JACKET CONSTRUCTION
OUTSIDE DIAMETER: .170±.005
COLOR: BLACK
3. MARKING
TE CONNECTIVITY 14 AWG (2.08mm²) XHHW-2 OR XHH OR RHW-2 OR RHH SR USE-2 SUNLIGHT RESISTANT (UL) 600V VWI UL LISTED,
4. PART COMES IN 30" DRUM.
5. ALL MATERIALS AND FINISHES SHALL COMPLY WITH EU DIRECTIVE 2002/95/EC OF 27JAN2003 (ROHS).



2500 FT REEL	1986166-3
500 FT REEL	1986166-2
7500 FT REEL	1986166-1
CABLE LENGTH	PART NUMBER

THIS DRAWING IS A CONTROLLED DOCUMENT.		DWN S. WELDON 03APR2007	STE TE Connectivity													
DIMENSIONS: INCHES		CHK M. STRECKEWALD 03APR2007														
TOLERANCES UNLESS OTHERWISE SPECIFIED:		APVD M. STRECKEWALD 03APR2007	NAME SOLAR CABLE, UL-LISTED, 14 AWG													
<table border="1"> <tr><td>0 PLC</td><td>±-</td></tr> <tr><td>1 PLC</td><td>±.1</td></tr> <tr><td>2 PLC</td><td>±.02</td></tr> <tr><td>3 PLC</td><td>±.005</td></tr> <tr><td>4 PLC</td><td>±.0005</td></tr> <tr><td>ANGLES</td><td>±-</td></tr> </table>		0 PLC	±-	1 PLC	±.1	2 PLC	±.02	3 PLC	±.005	4 PLC	±.0005	ANGLES	±-	PRODUCT SPEC	RESTRICTED TO	
0 PLC	±-															
1 PLC	±.1															
2 PLC	±.02															
3 PLC	±.005															
4 PLC	±.0005															
ANGLES	±-															
MATERIAL -		APPLICATION SPEC	SIZE A3	CAGE CODE 00779	DRAWING NO C-1986166											
FINISH -		WEIGHT -	SCALE 10:1		SHEET 1 OF 1											
		CUSTOMER DRAWING	REV C3													