



Chipsmall Limited consists of a professional team with an average of over 10 year of expertise in the distribution of electronic components. Based in Hongkong, we have already established firm and mutual-benefit business relationships with customers from,Europe,America and south Asia,supplying obsolete and hard-to-find components to meet their specific needs.

With the principle of “Quality Parts,Customers Priority,Honest Operation,and Considerate Service”,our business mainly focus on the distribution of electronic components. Line cards we deal with include Microchip,ALPS,ROHM,Xilinx,Pulse,ON,Everlight and Freescale. Main products comprise IC,Modules,Potentiometer,IC Socket,Relay,Connector.Our parts cover such applications as commercial,industrial, and automotives areas.

We are looking forward to setting up business relationship with you and hope to provide you with the best service and solution. Let us make a better world for our industry!



Contact us

Tel: +86-755-8981 8866 Fax: +86-755-8427 6832

Email & Skype: info@chipsmall.com Web: www.chipsmall.com

Address: A1208, Overseas Decoration Building, #122 Zhenhua RD., Futian, Shenzhen, China



4

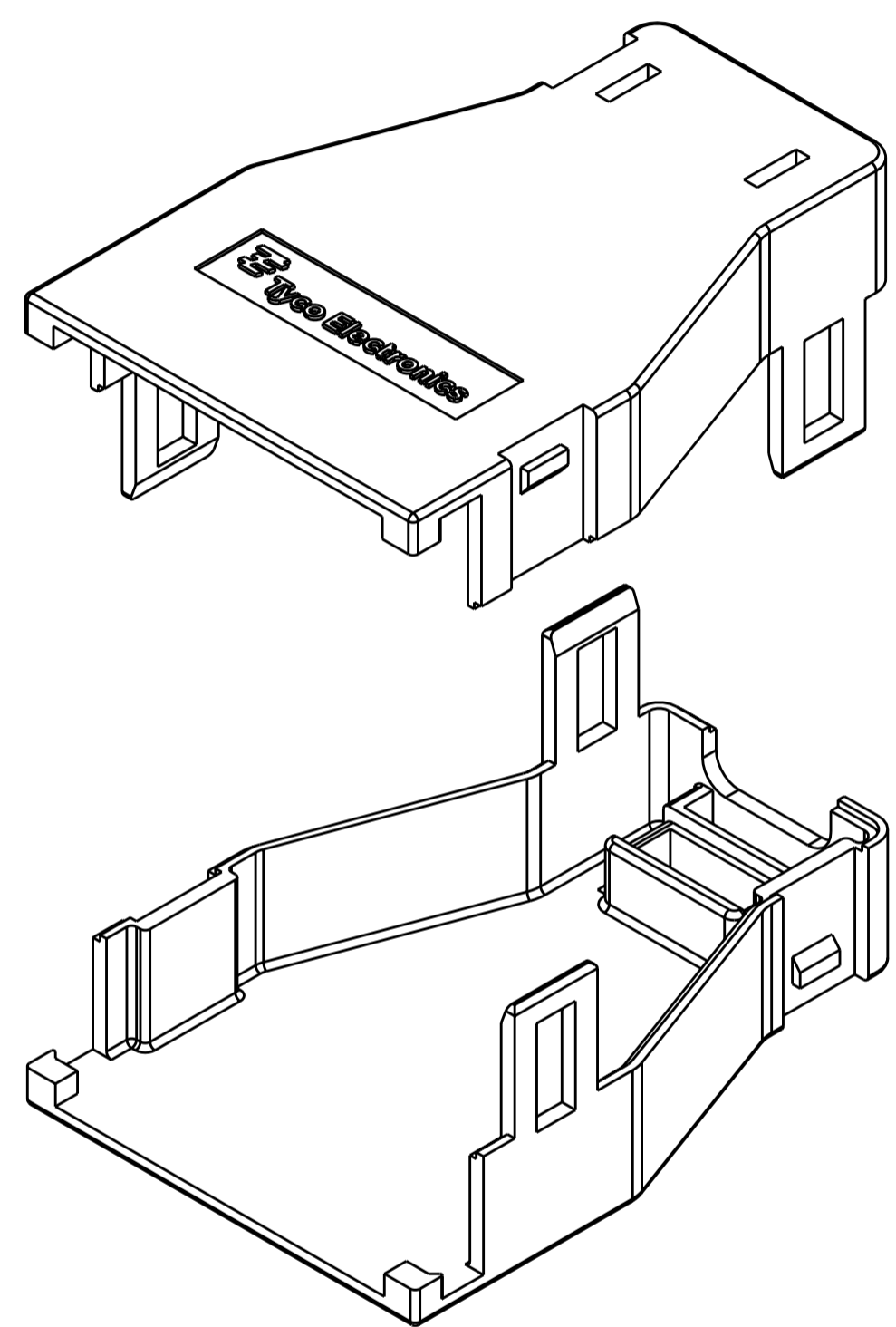
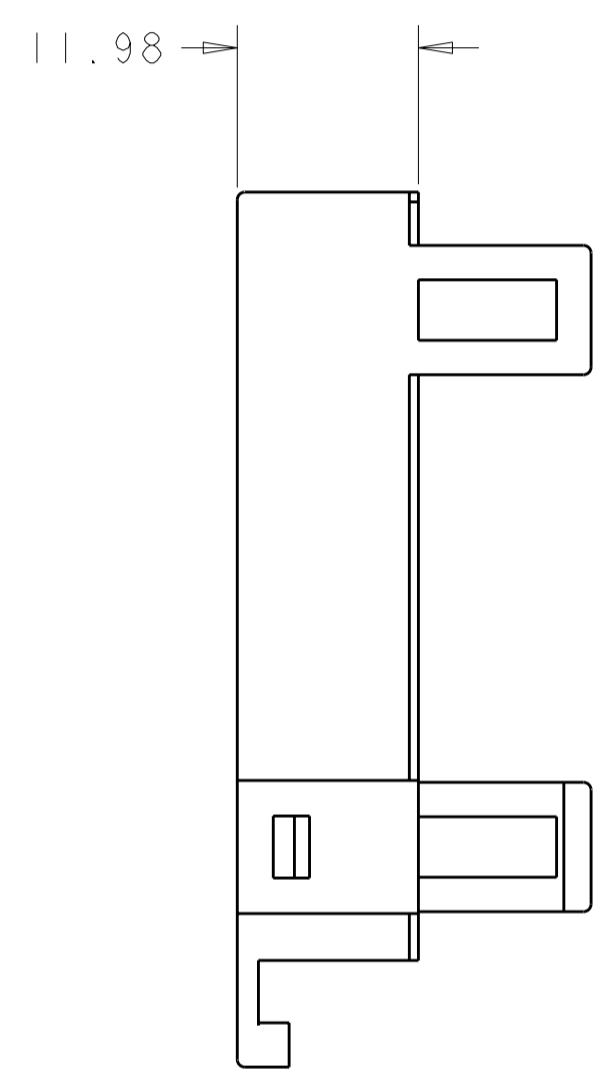
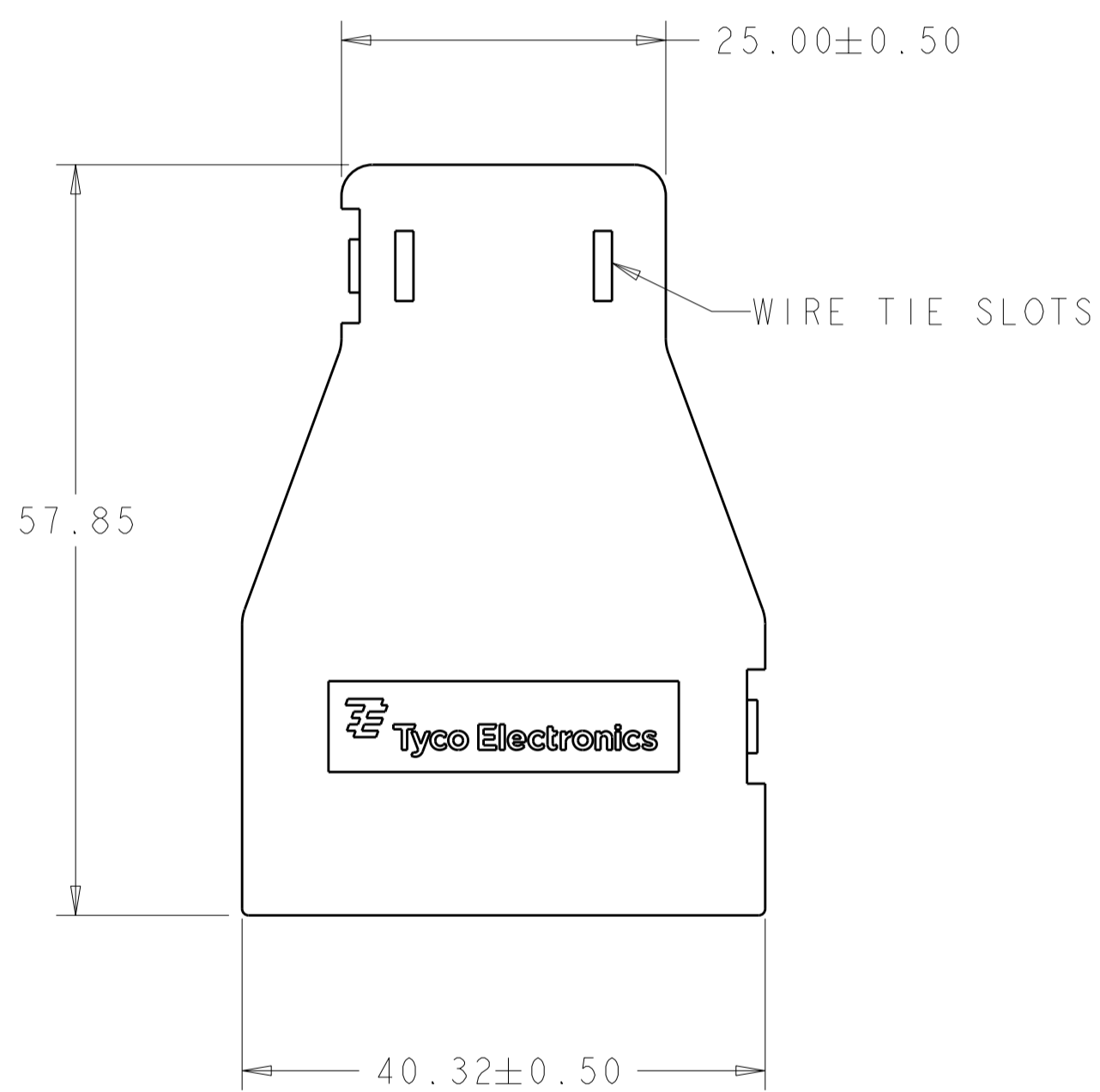
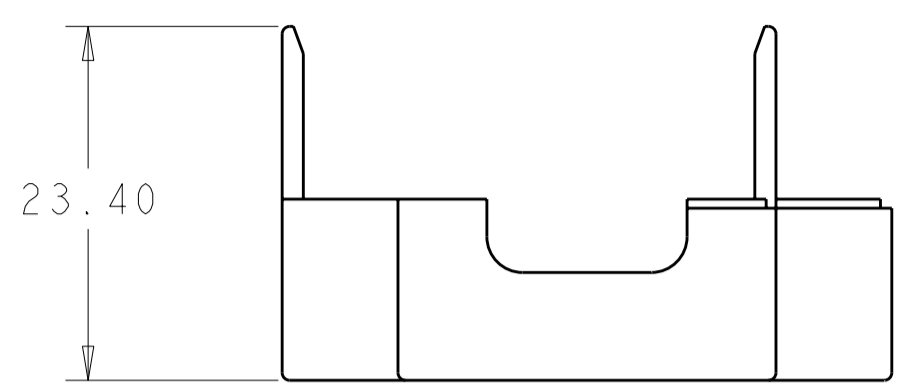
3

2

1

THIS DRAWING IS UNPUBLISHED. RELEASED FOR PUBLICATION 20
 © COPYRIGHT 20 BY TYCO ELECTRONICS CORPORATION. ALL RIGHTS RESERVED.

LOC		DIST		REVISIONS			
P	LTR	DESCRIPTION	DATE	DWN	APVD		
FT	0	A	RELEASED	21SEP2007	SW	GS	



1. POLYESTER, UL 94V-0 RATED, COLOR: BLACK.
2. PART CONSISTS OF TWO (2) UNASSEMBLED STRAIN RELIEF HALVES.
3. PARTS ARE BULK PACKED.
4. ACCOMODATES 10-16 AWG WIRE.
5. USED ON D5200 DYNAMIC RECEPTACLE HOUSING.

1986185-1
 PART NUMBER

THIS DRAWING IS A CONTROLLED DOCUMENT FOR TYCO ELECTRONICS CORPORATION. IT IS SUBJECT TO CHANGE AND THE CONTROLLING ENGINEERING ORGANIZATION SHOULD BE CONTACTED FOR THE LATEST REVISION.		DWN S. WELDON 24MAY2006	Tyco Electronics Harrisburg, PA 17105-3608	
DIMENSIONS: mm		CHK G. STEINHAEUER 24MAY2006	NAME STRAIN RELIEF, 6 POSITION, D5200 DYNAMIC	
TOLERANCES UNLESS OTHERWISE SPECIFIED: 0 PLC ±- 1 PLC ±0.5 2 PLC ±0.13 3 PLC ±0.013 4 PLC ±0.0001 ANGLES ±- FINISH		APVD G. STEINHAEUER 24MAY2006	RESTRICTED TO	
MATERIAL		PRODUCT SPEC	SIZE	CAGE CODE
		APPLICATION SPEC	A200779	C=1986185
		WEIGHT	SCALE 2:1 SHEET 1 OF 1 REV A	
		CUSTOMER DRAWING		