



Chipsmall Limited consists of a professional team with an average of over 10 year of expertise in the distribution of electronic components. Based in Hongkong, we have already established firm and mutual-benefit business relationships with customers from,Europe,America and south Asia,supplying obsolete and hard-to-find components to meet their specific needs.

With the principle of “Quality Parts,Customers Priority,Honest Operation,and Considerate Service”,our business mainly focus on the distribution of electronic components. Line cards we deal with include Microchip,ALPS,ROHM,Xilinx,Pulse,ON,Everlight and Freescale. Main products comprise IC,Modules,Potentiometer,IC Socket,Relay,Connector.Our parts cover such applications as commercial,industrial, and automotives areas.

We are looking forward to setting up business relationship with you and hope to provide you with the best service and solution. Let us make a better world for our industry!



Contact us

Tel: +86-755-8981 8866 Fax: +86-755-8427 6832

Email & Skype: info@chipsmall.com Web: www.chipsmall.com

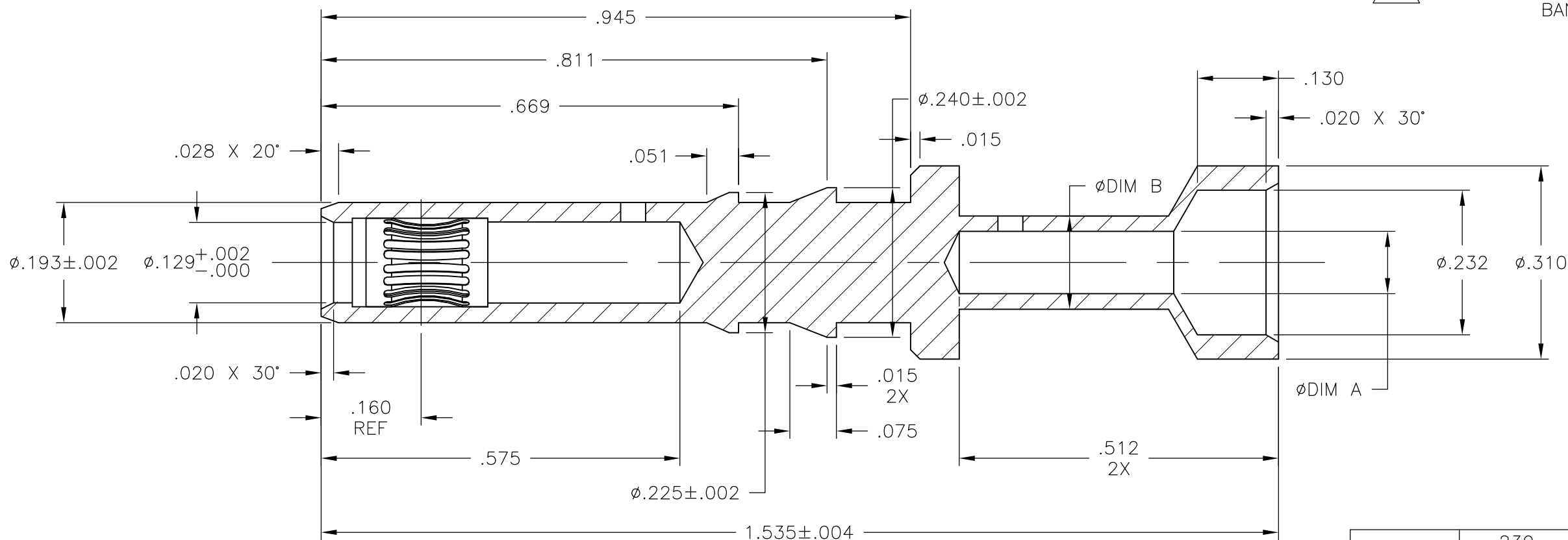
Address: A1208, Overseas Decoration Building, #122 Zhenhua RD., Futian, Shenzhen, China



THIS DRAWING IS UNPUBLISHED. RELEASED FOR PUBLICATION
 © COPYRIGHT BY TYCO ELECTRONICS CORPORATION. ALL INTERNATIONAL RIGHTS RESERVED.

LOC	DIST	REVISIONS			
P	LTR	DESCRIPTION	DATE	DWN	APVD
	B1	REVISED PER ECO-08-029660	27NOV08	HMR	GS

- 1 MATERIAL:
BODY: TELLURIUM Cu
BAND: Be Cu
- 2 FINISH:
BODY: Au PLATE .000008 MIN THK ALL OVER NI
UNDERPLATE .000050 MIN THK.
BAND: Au PLATE .000030 MIN THK ALL OVER NI
UNDERPLATE .000050 MIN THK.
- 3 MATES WITH 1986388. (.121±.001 PIN DIA)
- 4 MATERIAL: BRASS, 1/2 HARD
BAND: Be Cu



4	.230	.181	8	1986390-6
	.186	.135	10	1986390-5
	.150	.100	14-12	1986390-4
1	.230	.181	8	1986390-3
	.186	.135	10	1986390-2
	.150	.100	14-12	1986390-1
MATERIAL	DIM B	DIM A	WIRE SIZE	PART NUMBER

THIS DRAWING IS A CONTROLLED DOCUMENT.		DWN S SCHLEGEL 11MAR2008	Tyco Electronics Corporation Harrisburg, PA 17105-3608	
DIMENSIONS: INCHES	TOLERANCES UNLESS OTHERWISE SPECIFIED:	CHK G STEINHAUER 3/11/08	NAME	
	0 PLC ± -	APVD G STEINHAUER 3/11/08	D POWER SOCKET ASSY, HIGH CURRENT	
	1 PLC ± -	PRODUCT SPEC	-	
	2 PLC ± -	APPLICATION SPEC	-	
	3 PLC ± .005	WEIGHT	-	
	4 PLC ± -	CUSTOMER DRAWING	SCALE 5:1	SHEET 1 OF 1
	ANGLES ± 2°		RESTRICTED TO	REV B1
MATERIAL SEE TABLE	FINISH 2		SIZE A3	CAGE CODE 00779
			DRAWING NO	G-1986390