



Chipsmall Limited consists of a professional team with an average of over 10 year of expertise in the distribution of electronic components. Based in Hongkong, we have already established firm and mutual-benefit business relationships with customers from,Europe,America and south Asia,supplying obsolete and hard-to-find components to meet their specific needs.

With the principle of "Quality Parts,Customers Priority,Honest Operation,and Considerate Service",our business mainly focus on the distribution of electronic components. Line cards we deal with include Microchip,ALPS,ROHM,Xilinx,Pulse,ON,Everlight and Freescale. Main products comprise IC,Modules,Potentiometer,IC Socket,Relay,Connector.Our parts cover such applications as commercial,industrial, and automotives areas.

We are looking forward to setting up business relationship with you and hope to provide you with the best service and solution. Let us make a better world for our industry!



## Contact us

Tel: +86-755-8981 8866 Fax: +86-755-8427 6832

Email & Skype: info@chipsmall.com Web: www.chipsmall.com

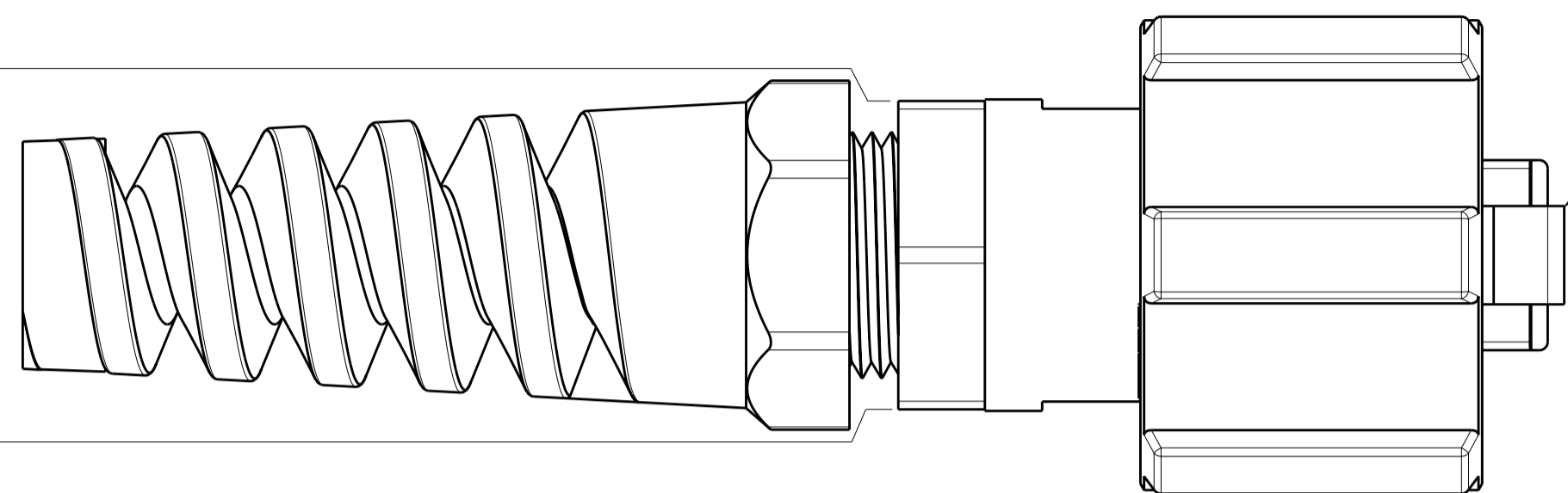
Address: A1208, Overseas Decoration Building, #122 Zhenhua RD., Futian, Shenzhen, China



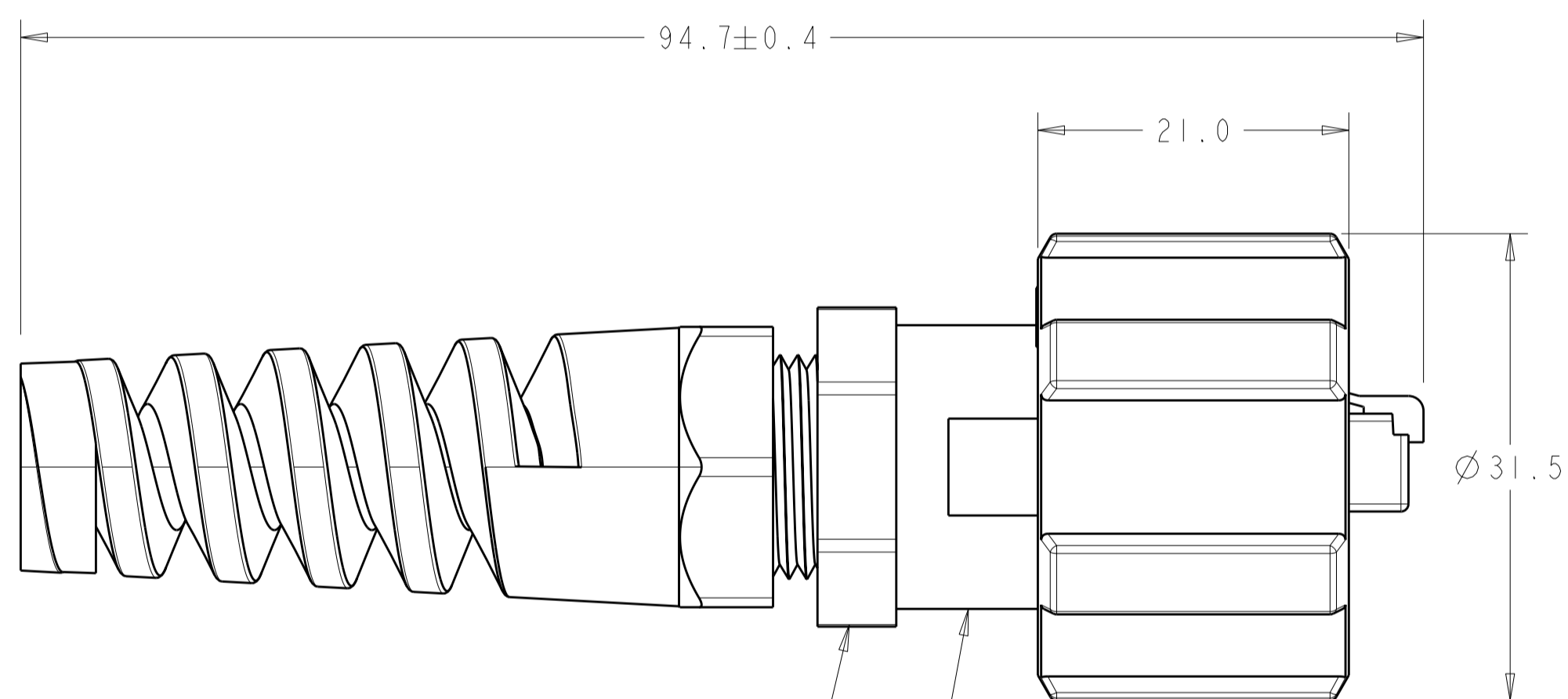
THIS DRAWING IS UNPUBLISHED. RELEASED FOR PUBLICATION 20  
 © COPYRIGHT 20 BY TYCO ELECTRONICS CORPORATION. ALL RIGHTS RESERVED.

LOC	DIST	REVISIONS			
P	LTR	DESCRIPTION	DATE	DWN	APVD
FT	0		25JUL2008	SS	MS

19.0 REF  
HEX FLATS



MODULAR PLUG ASSEMBLY  
 RJ-45, 8 POSITION-SEE TABULATION BELOW  
 HOUSING - CLEAR POLYCARBONATE  
 CONTACTS - PHOSPHOR BRONZE, GOLD OVER NICKEL  
 SHIELD - COPPER ALLOY W/ SEMI-BRIGHT NICKEL PLATE (-3 & -4 ONLY)

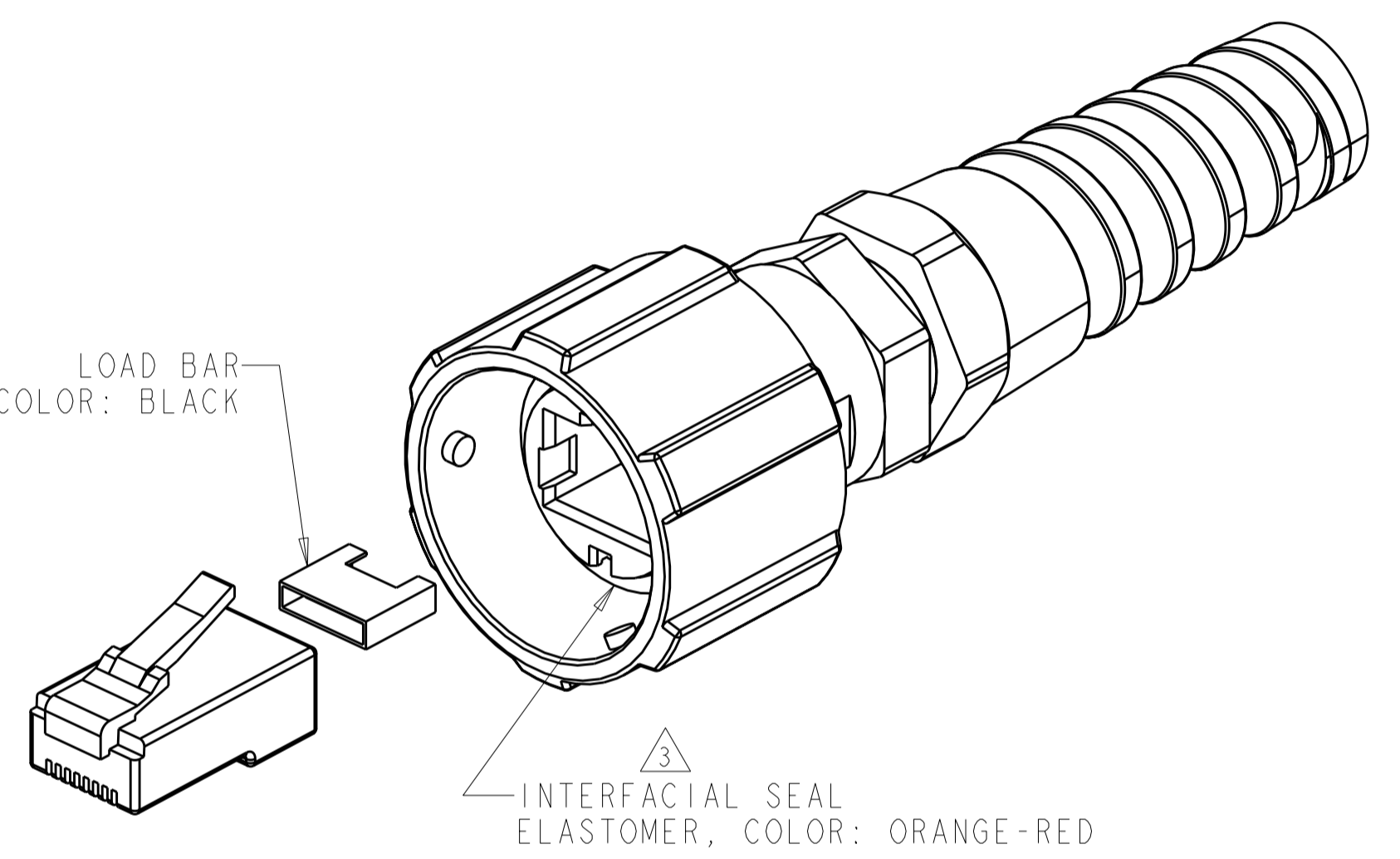


1 FLEX NUT  
POLYAMIDE AND ELASTOMER  
COLOR: BLACK

PLUG HOUSING  
POLYESTER, COLOR: BLACK

COUPLING RING  
POLYESTER, COLOR: BLACK

LOAD BAR  
POLYESTER, COLOR: BLACK



3 INTERFACIAL SEAL  
ELASTOMER, COLOR: ORANGE-RED

SCALE 2:1

- 1 CABLE DIAMETER RANGE, 4.9 mm TO 7.9 mm, CABLE FITTING ONLY, SEE APPLICATION SPECIFICATION FOR PLUG TERMINATION INFORMATION
- 2. PARTS PACKAGED UNASSEMBLED IN POLYBAG.
- 3 ELASTOMER SEAL IS SECURED TO HOUSING WITH ADHESIVE.

THIS PRINT IS  
**PRELIMINARY**  
 UNQUALIFIED PRODUCT  
 CONTACT PRODUCT ENGINEERING  
 BEFORE USING THIS PRINT

UNSHIELDED	24 AWG STRANDED	1986456-2
	24 AWG SOLID	1986456-1
DESCRIPTION	CONDUCTOR TYPE	PART NUMBER

THIS DRAWING IS A CONTROLLED DOCUMENT FOR TYCO ELECTRONICS CORPORATION. IT IS SUBJECT TO CHANGE AND THE CONTROLLING ENGINEERING ORGANIZATION SHOULD BE CONTACTED FOR THE LATEST REVISION.		DWN S. SCHLEGEL 25JUL2008	Tyco Electronics Harrisburg, PA 17105-3608	
DIMENSIONS: mm		CHK M. STRECKEWALD 25JUL2008	NAME PLUG ASSEMBLY, FLEX NUT INDUSTRIAL CIRCULAR ETHERNET CONNECTOR	
TOLERANCES UNLESS OTHERWISE SPECIFIED: 0 PLC ±0.3 1 PLC ±0.2 2 PLC ±0.10 3 PLC ± 4 PLC ± ANGLES ±1° FINISH		APVD M. STRECKEWALD 25JUL2008	PRODUCT SPEC 108-2198	
MATERIAL		APPLICATION SPEC 114-13136	SIZE A2	CAGE CODE 00779
		WEIGHT -	DRAWING NO 1986456	RESTRICTED TO -
		CUSTOMER DRAWING	SCALE 5:2	SHEET OF REV