



Chipsmall Limited consists of a professional team with an average of over 10 year of expertise in the distribution of electronic components. Based in Hongkong, we have already established firm and mutual-benefit business relationships with customers from,Europe,America and south Asia,supplying obsolete and hard-to-find components to meet their specific needs.

With the principle of “Quality Parts,Customers Priority,Honest Operation,and Considerate Service”,our business mainly focus on the distribution of electronic components. Line cards we deal with include Microchip,ALPS,ROHM,Xilinx,Pulse,ON,Everlight and Freescale. Main products comprise IC,Modules,Potentiometer,IC Socket,Relay,Connector.Our parts cover such applications as commercial,industrial, and automotives areas.

We are looking forward to setting up business relationship with you and hope to provide you with the best service and solution. Let us make a better world for our industry!



Contact us

Tel: +86-755-8981 8866 Fax: +86-755-8427 6832

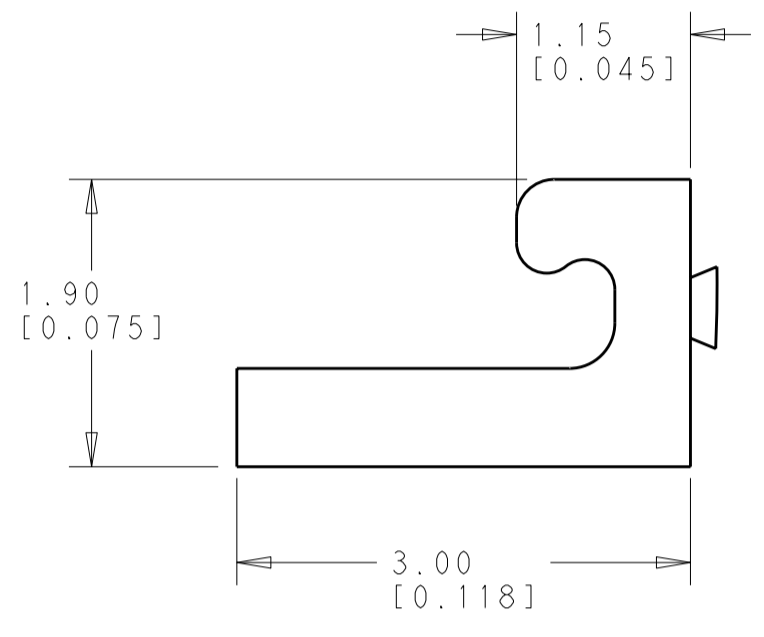
Email & Skype: info@chipsmall.com Web: www.chipsmall.com

Address: A1208, Overseas Decoration Building, #122 Zhenhua RD., Futian, Shenzhen, China

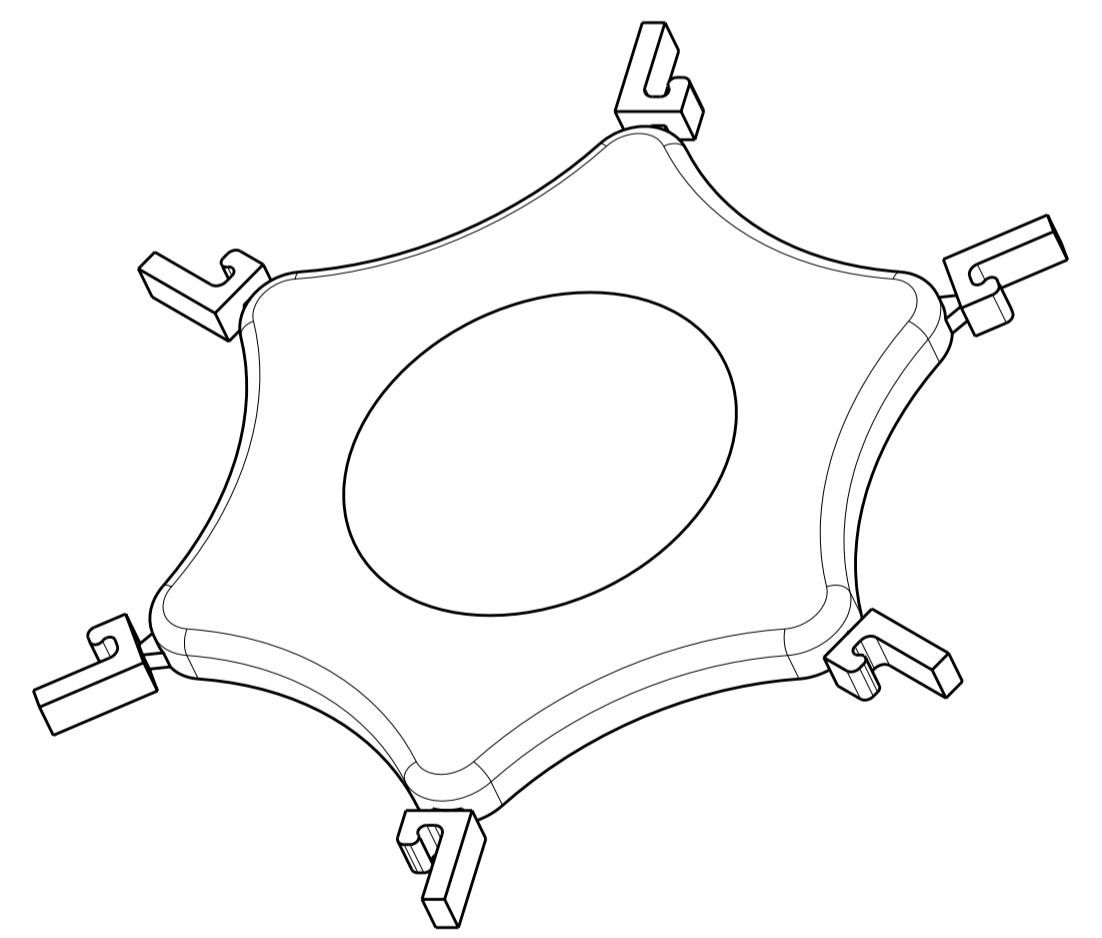
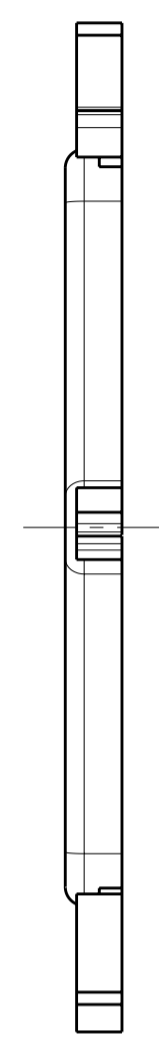
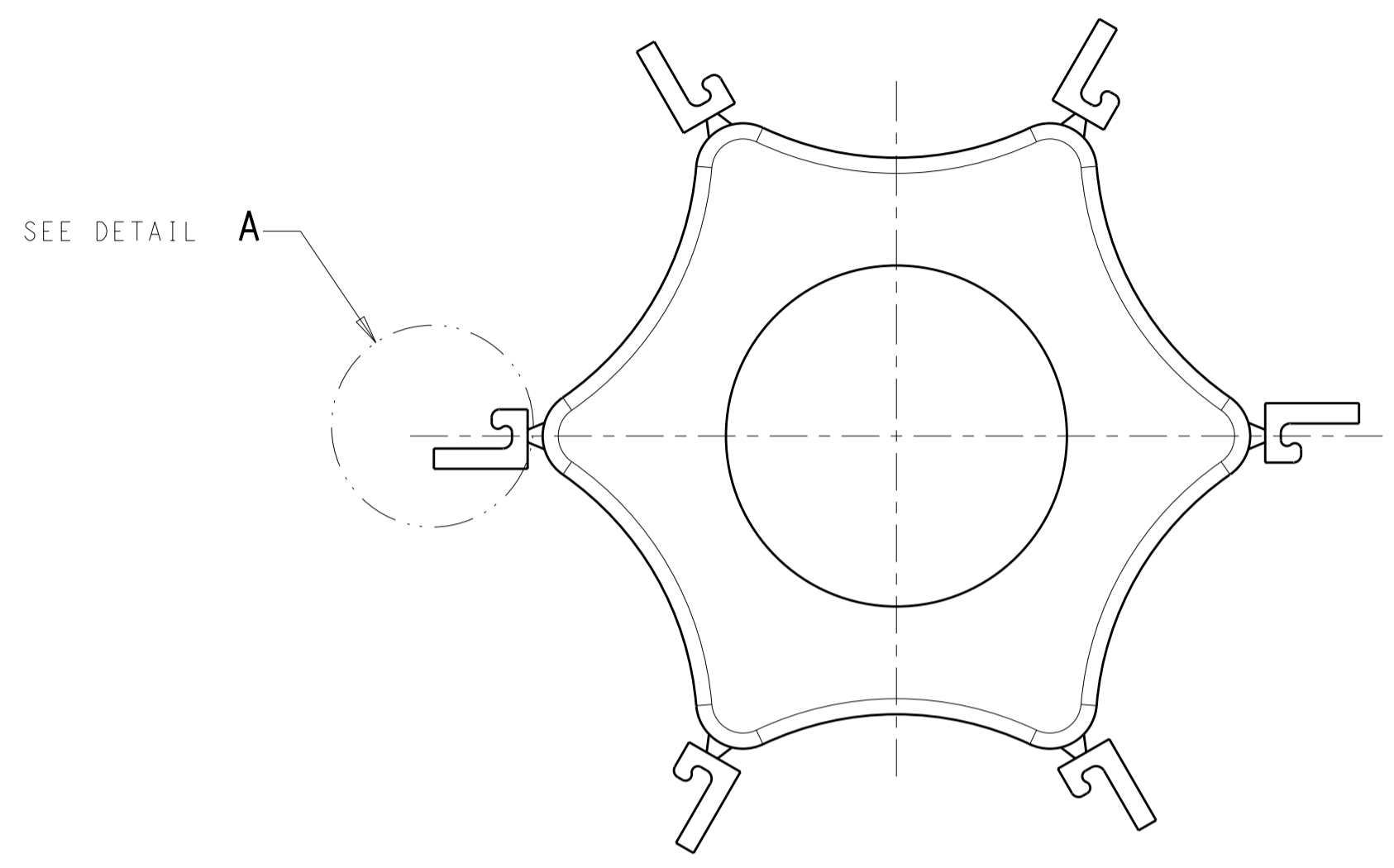


THIS DRAWING IS UNPUBLISHED. RELEASED FOR PUBLICATION 2009
 © COPYRIGHT 2009 ALL RIGHTS RESERVED.

LOC	DIST	REVISIONS			
P	LTR	DESCRIPTION	DATE	DWN	APVD
A		REVISED PER ECO-11-022623	18NOV11	KH	MS



DETAIL A
SCALE 20:1



1986671-1
PART NUMBER

THIS DRAWING IS A CONTROLLED DOCUMENT.		DWN 26FEB2011 RAGHAVENDRA	STE TE Connectivity	
DIMENSIONS: MM [INCHES]		CHK 26FEB2011 RICHARD CATHY		
TOLERANCES UNLESS OTHERWISE SPECIFIED:		APVD 26FEB2011 RICHARD CATHY	NAME PLZN KEY, TERMI-BLOK PLUG	
0 PLC ±-		PRODUCT SPEC	SIZE CAGE CODE DRAWING NO	
1 PLC ±-		APPLICATION SPEC	RESTRICTED TO	
2 PLC ±0.13		WEIGHT	A200779C-1986671	
3 PLC ±-		MATERIAL	SCALE 5:1 SHEET 1 OF 1 REV A	
4 PLC ±-		FINISH	CUSTOMER DRAWING	
ANGLES ±-				