



Chipsmall Limited consists of a professional team with an average of over 10 year of expertise in the distribution of electronic components. Based in Hongkong, we have already established firm and mutual-benefit business relationships with customers from,Europe,America and south Asia,supplying obsolete and hard-to-find components to meet their specific needs.

With the principle of "Quality Parts,Customers Priority,Honest Operation,and Considerate Service",our business mainly focus on the distribution of electronic components. Line cards we deal with include Microchip,ALPS,ROHM,Xilinx,Pulse,ON,Everlight and Freescale. Main products comprise IC,Modules,Potentiometer,IC Socket,Relay,Connector.Our parts cover such applications as commercial,industrial, and automotives areas.

We are looking forward to setting up business relationship with you and hope to provide you with the best service and solution. Let us make a better world for our industry!



## Contact us

Tel: +86-755-8981 8866 Fax: +86-755-8427 6832

Email & Skype: info@chipsmall.com Web: www.chipsmall.com

Address: A1208, Overseas Decoration Building, #122 Zhenhua RD., Futian, Shenzhen, China



THIS DRAWING IS UNPUBLISHED.

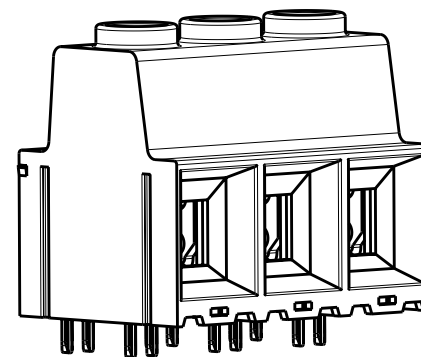
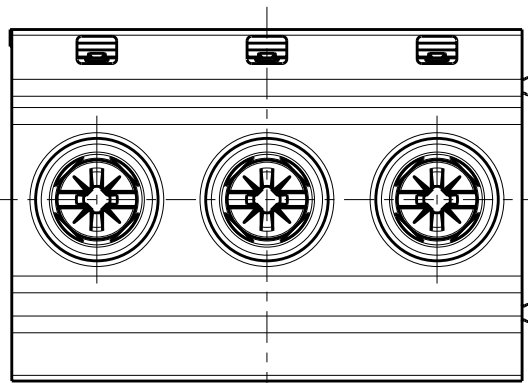
RELEASED FOR PUBLICATION

2011

© COPYRIGHT 2011

ALL RIGHTS RESERVED.

LOC	DIST	REVISIONS			
P	LTR	DESCRIPTION	DATE	DWN	APVD
AI	-	B	REVISED PER ECO-12-005569	22MAR2012	HRY MS

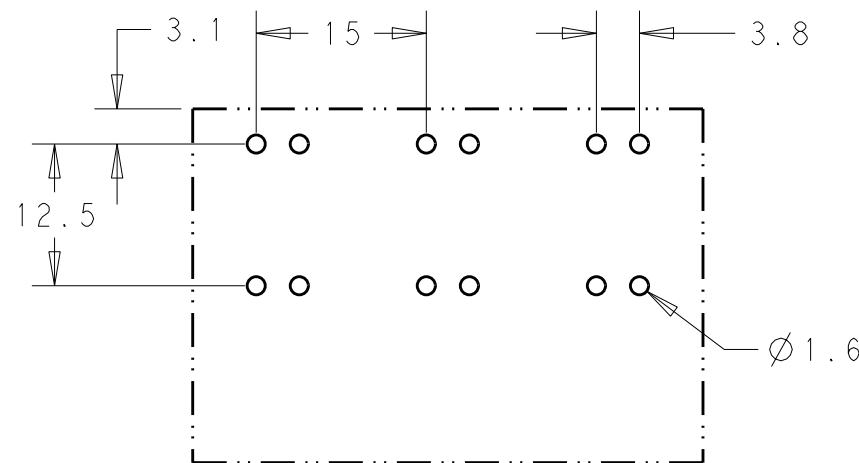
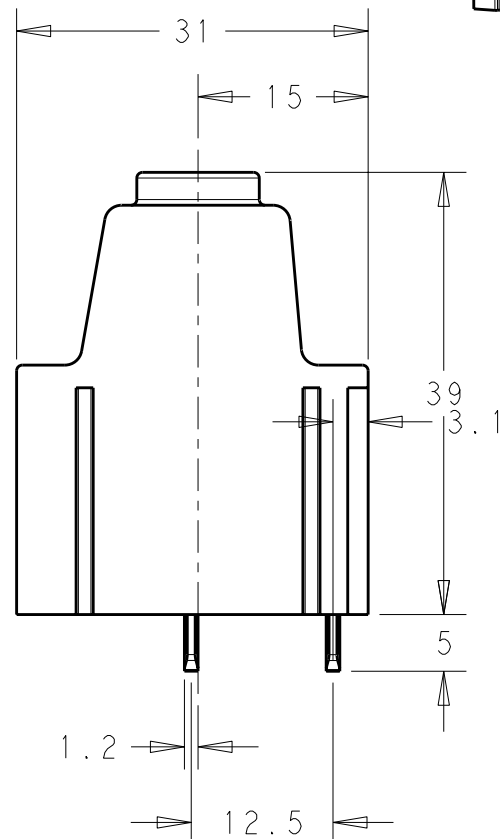
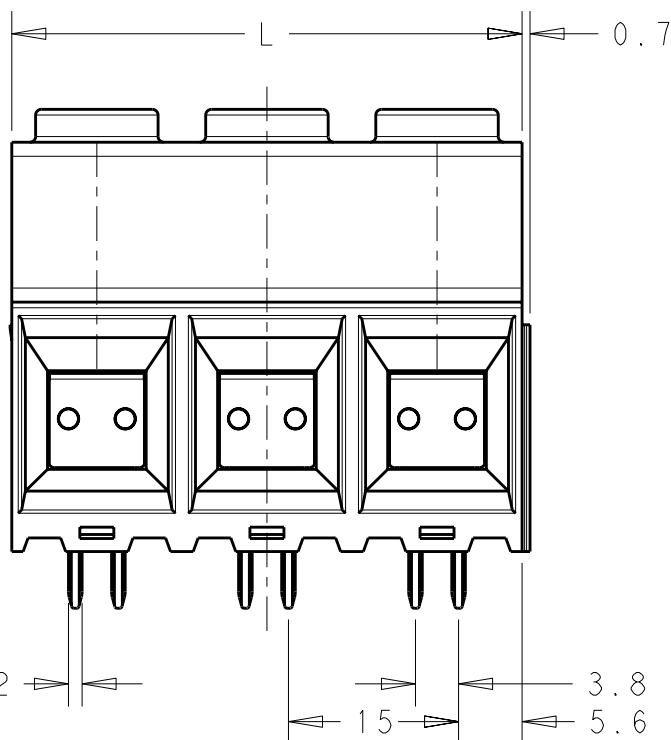


SCALE 1:1  
-3 AS SHOWN

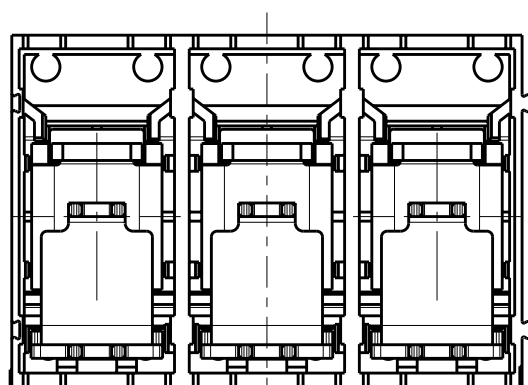
MATERIALS:  
 HOUSING-POLYAMIDE, COLOR-GREEN  
 SCREW- M5,NICKEL PLATED STEEL.  
 CLAMP- TIN PLATED STEEL.  
 PIN-TIN OVER NICKEL PLATED COPPER ALLOY.


MECHANICAL:  
 PCB THICKNESS-2.40 MAX  
 PCB HOLE DIAMETER-1.60 MIN  
 STRIP LENGTH-18 MM  
 OPERATING TEMPERATURE--40°C TO +110°C  
 TORQUE-2.1~2.5 Nm

ELECTRICAL:  
 WIRE RANGE- 20 TO 1 AWG  
 VOLTAGE RATING- 600 VOLTS  
 CURRENT RATING-130 AMP FIELD WIRING; 135 AMP FACTORY WIRING  
 CONTACT RESISTANCE-15 MILLOHM MAX  
 INSULATION RESISTANCE-10<sup>9</sup> OHMS MIN (500V DC)



180.00	12	1-1986713-2
165.00	11	1-1986713-1
150.00	10	1-1986713-0
135.00	9	1986713-9
120.00	8	1986713-8
105.00	7	1986713-7
90.00	6	1986713-6
75.00	5	1986713-5
60.00	4	1986713-4
45.00	3	1986713-3
30.00	2	1986713-2
DIM L	POLE	PART NUMBER



THIS DRAWING IS A CONTROLLED DOCUMENT.		DWN 12SEP2011 RAGHAVENDRA	 TE Connectivity	
DIMENSIONS: mm		CHK 12SEP2011 SARVER MICHAEL		
TOLERANCES UNLESS OTHERWISE SPECIFIED:		APVD 12SEP2011 SARVER MICHAEL	NAME POWER TERMINAL BLOCK, SOLDERABLE UP TO 275DEG C DOUBLE PIN MODULAR 02 - 12 POLES PITCH 15.00mm	
0 PLC ±- 1 PLC ±0.50 2 PLC ±0.25 3 PLC ±- 4 PLC ±- ANGLES ±1°		PRODUCT SPEC	SIZE CAGE CODE DRAWING NO RESTRICTED TO	
MATERIAL - FINISH -		APPLICATION SPEC	A300779 C-1986713	
		WEIGHT -	SCALE 1:1 SHEET 1 OF 1 REV B	
		CUSTOMER DRAWING		