



Chipsmall Limited consists of a professional team with an average of over 10 year of expertise in the distribution of electronic components. Based in Hongkong, we have already established firm and mutual-benefit business relationships with customers from,Europe,America and south Asia,supplying obsolete and hard-to-find components to meet their specific needs.

With the principle of “Quality Parts,Customers Priority,Honest Operation,and Considerate Service”,our business mainly focus on the distribution of electronic components. Line cards we deal with include Microchip,ALPS,ROHM,Xilinx,Pulse,ON,Everlight and Freescale. Main products comprise IC,Modules,Potentiometer,IC Socket,Relay,Connector.Our parts cover such applications as commercial,industrial, and automotives areas.

We are looking forward to setting up business relationship with you and hope to provide you with the best service and solution. Let us make a better world for our industry!



Contact us

Tel: +86-755-8981 8866 Fax: +86-755-8427 6832

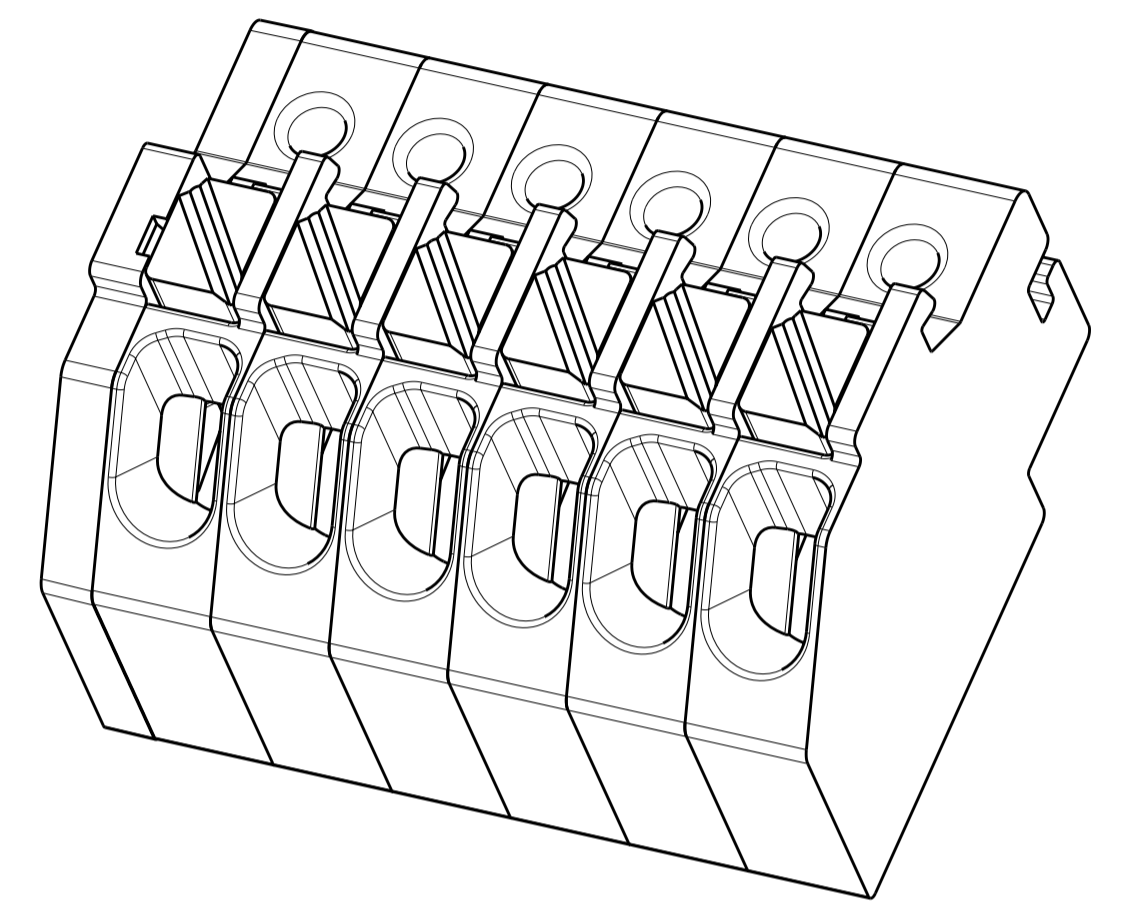
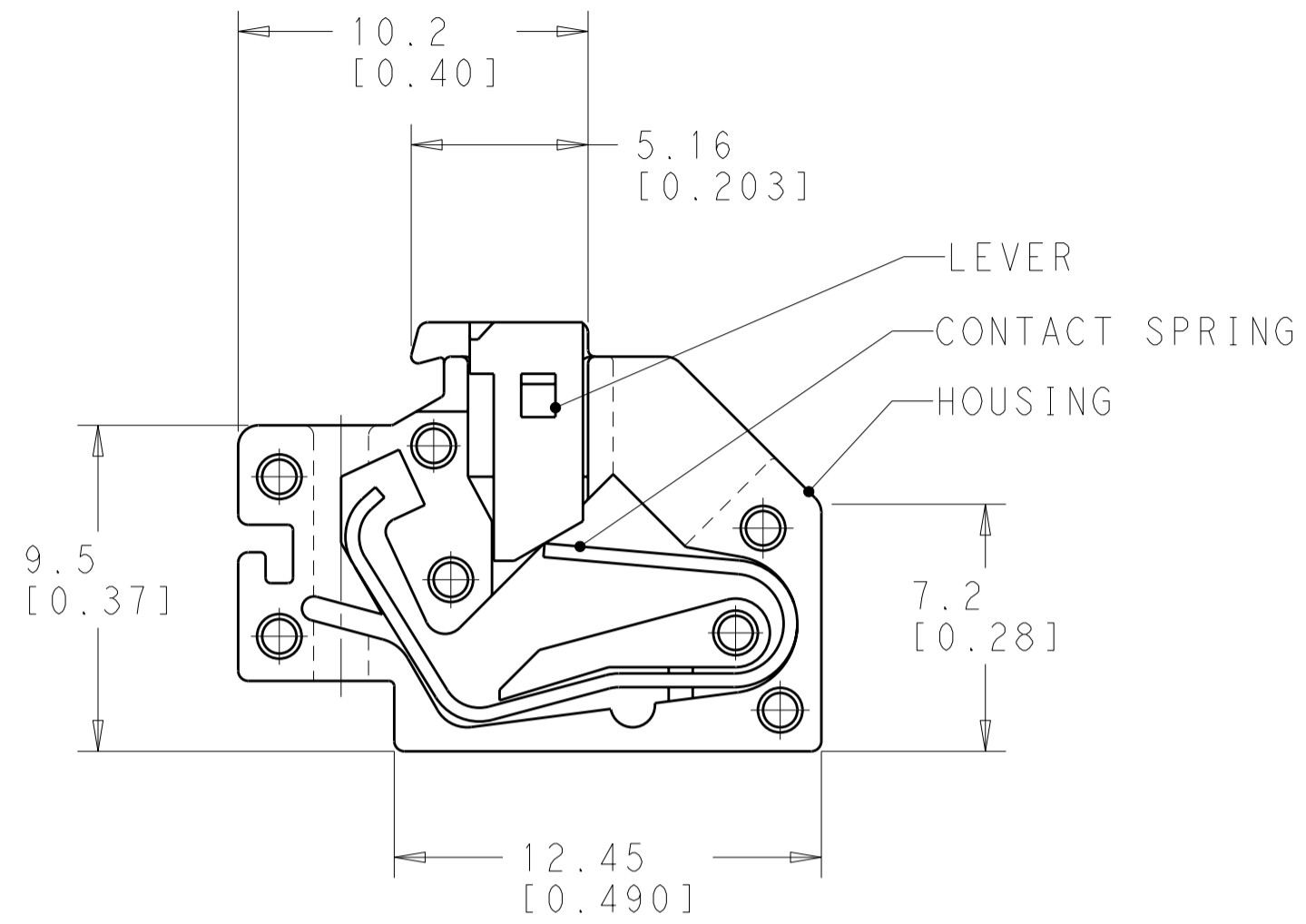
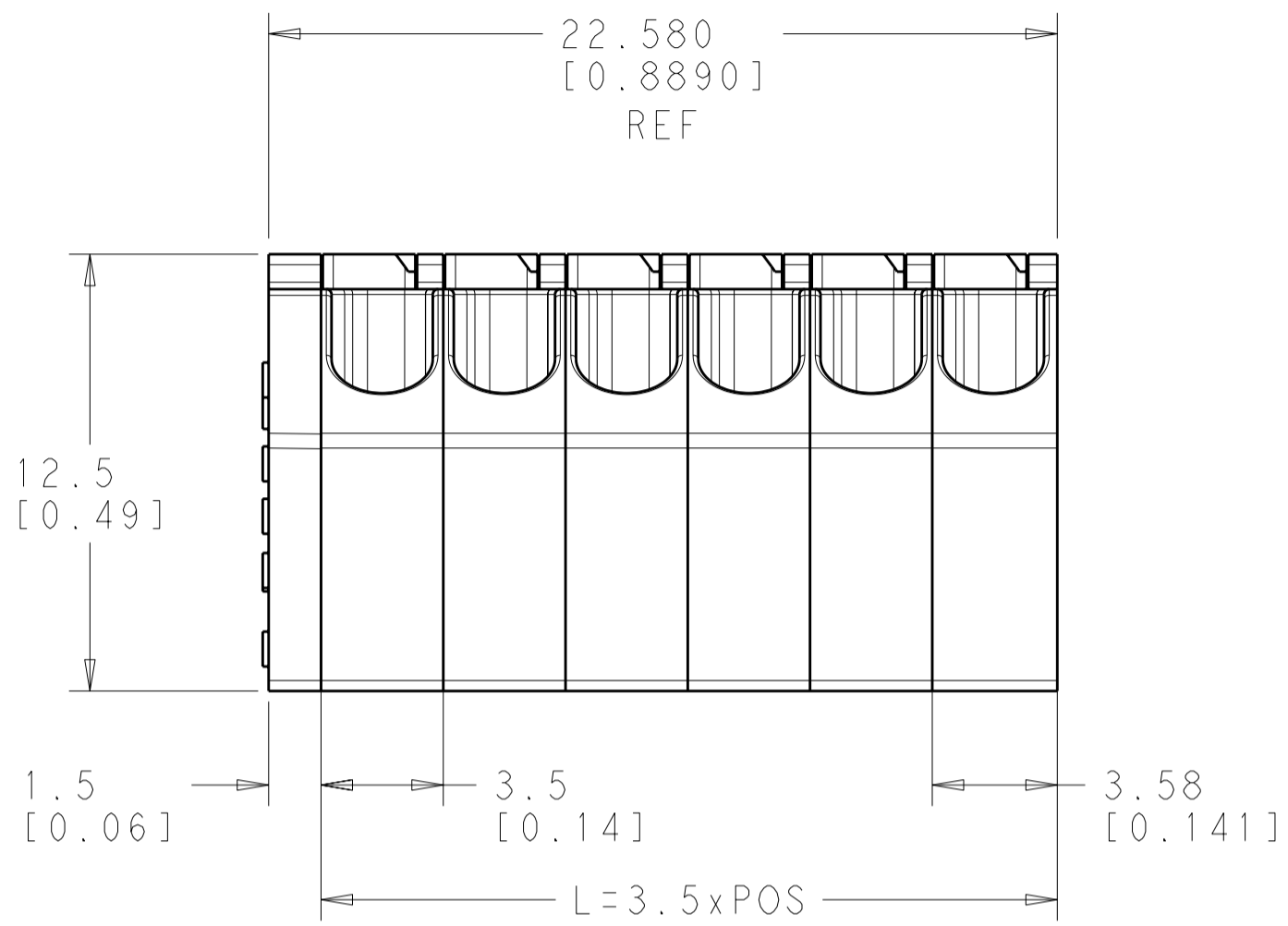
Email & Skype: info@chipsmall.com Web: www.chipsmall.com

Address: A1208, Overseas Decoration Building, #122 Zhenhua RD., Futian, Shenzhen, China



THIS DRAWING IS UNPUBLISHED. RELEASED FOR PUBLICATION 2011
 © COPYRIGHT 2011 ALL RIGHTS RESERVED.

LOC		DIST		REVISIONS			
P	LTR	DESCRIPTION	DATE	DWN	APVD		
	A1	REVISED PER ECO-12-002880	15FEB12	KH	MS		

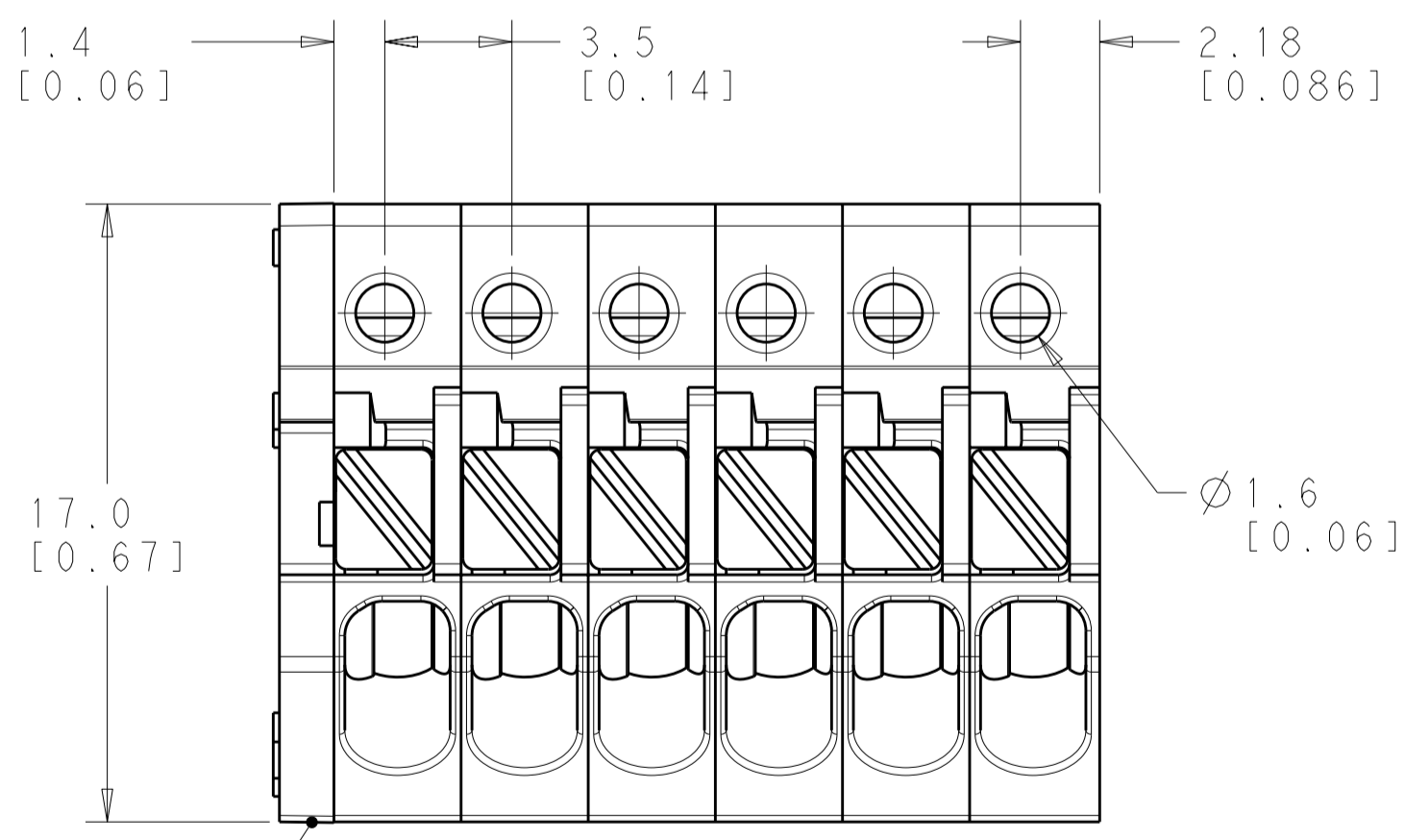


NOTE

MATERIALS:
 HOUSING-POLYAMIDE, COLOR-GREEN
 COVER-POLYAMIDE, COLOR-GREEN
 LEVER-POLYAMIDE, COLOR-ORANGE
 SPRING-STAINLESS STEEL-TIN PLATED

MECHANICAL
 INSERTION FORCE-2.5 N/POLE
 WITHDRAW FORCE-4.5 N/POLE
 STRIP LENGTH-8.5 - 10 MM
 OPERATING TEMPERATURE--40°C TO +110°C

ELECTRICAL
 WIRE RANGE- 20 TO 16 AWG, SOLID OR STRANDED
 VOLTAGE RATING- 150 VOLTS
 CURRENT RATING-2 AMP
 CONTACT RESISTANCE-15 MILLOHM MAX
 INSULATION RESISTANCE-10⁹ OHMS MIN (500V DC)



- 6 AS SHOWN

29.58	8	1986716-8
26.08	7	1986716-7
22.58	6	1986716-6
19.08	5	1986716-5
15.58	4	1986716-4
12.08	3	1986716-3
8.58	2	1986716-2
DIM L	POS	PART NO

COVER

THIS DRAWING IS A CONTROLLED DOCUMENT.		DWN YASHKUMAR 09NOV2011	TE Connectivity	
DIMENSIONS: MM [INCH]		CHK SARVER MICHAEL 09NOV2011		
TOLERANCES UNLESS OTHERWISE SPECIFIED:		APVD SARVER MICHAEL 09NOV2011	NAME	
0 PLC ± 1 PLC ±0.20[.008] 2 PLC ±0.20[.008] 3 PLC ± 4 PLC ± ANGLES ±° FINISH		PRODUCT SPEC	SPRING TYPE FLUSH MT PLUG CONNECTOR 02 -8 POLES, PITCH 3.50mm	
MATERIAL		APPLICATION SPEC	SIZE	RESTRICTED TO
		WEIGHT	A200779C-1986716	
		CUSTOMER DRAWING	SCALE 5:1	SHEET 1 OF 1 REV A1