



Chipsmall Limited consists of a professional team with an average of over 10 year of expertise in the distribution of electronic components. Based in Hongkong, we have already established firm and mutual-benefit business relationships with customers from,Europe,America and south Asia,supplying obsolete and hard-to-find components to meet their specific needs.

With the principle of “Quality Parts,Customers Priority,Honest Operation,and Considerate Service”,our business mainly focus on the distribution of electronic components. Line cards we deal with include Microchip,ALPS,ROHM,Xilinx,Pulse,ON,Everlight and Freescale. Main products comprise IC,Modules,Potentiometer,IC Socket,Relay,Connector.Our parts cover such applications as commercial,industrial, and automotives areas.

We are looking forward to setting up business relationship with you and hope to provide you with the best service and solution. Let us make a better world for our industry!



## Contact us

Tel: +86-755-8981 8866 Fax: +86-755-8427 6832

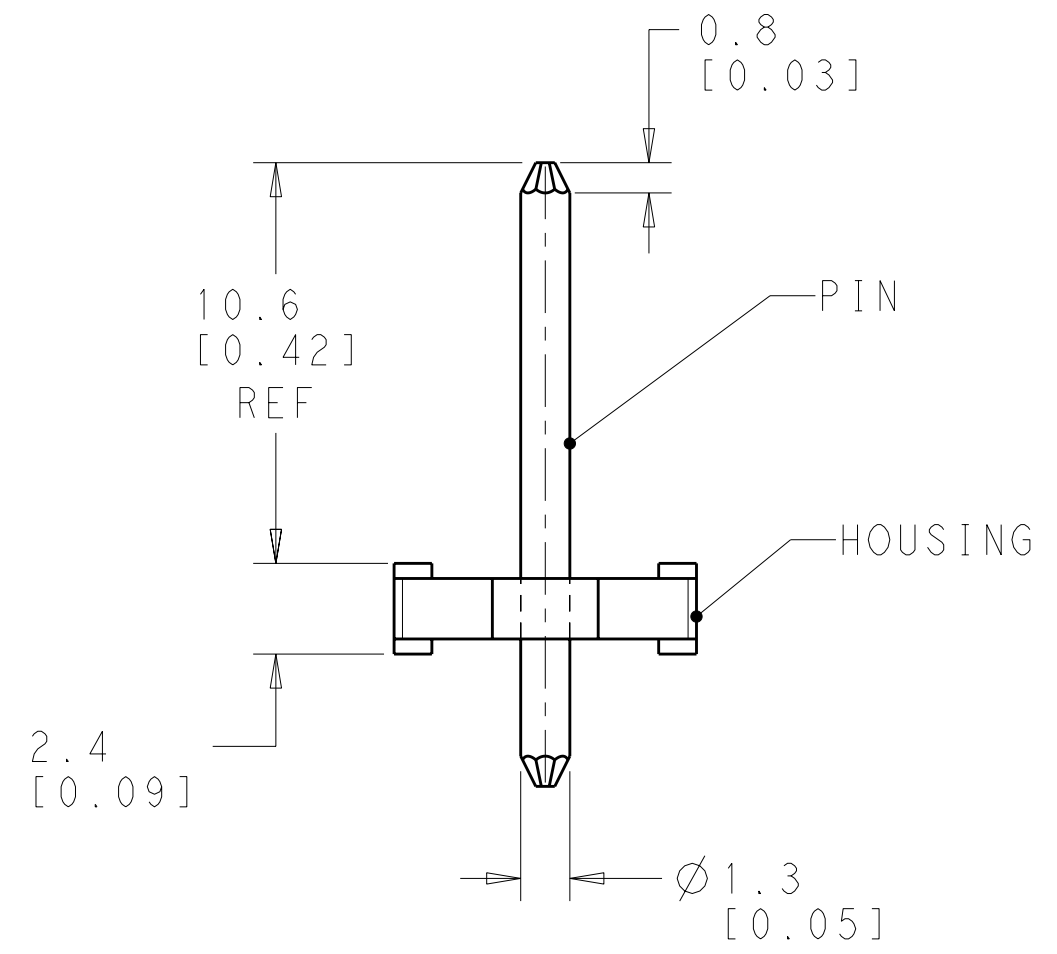
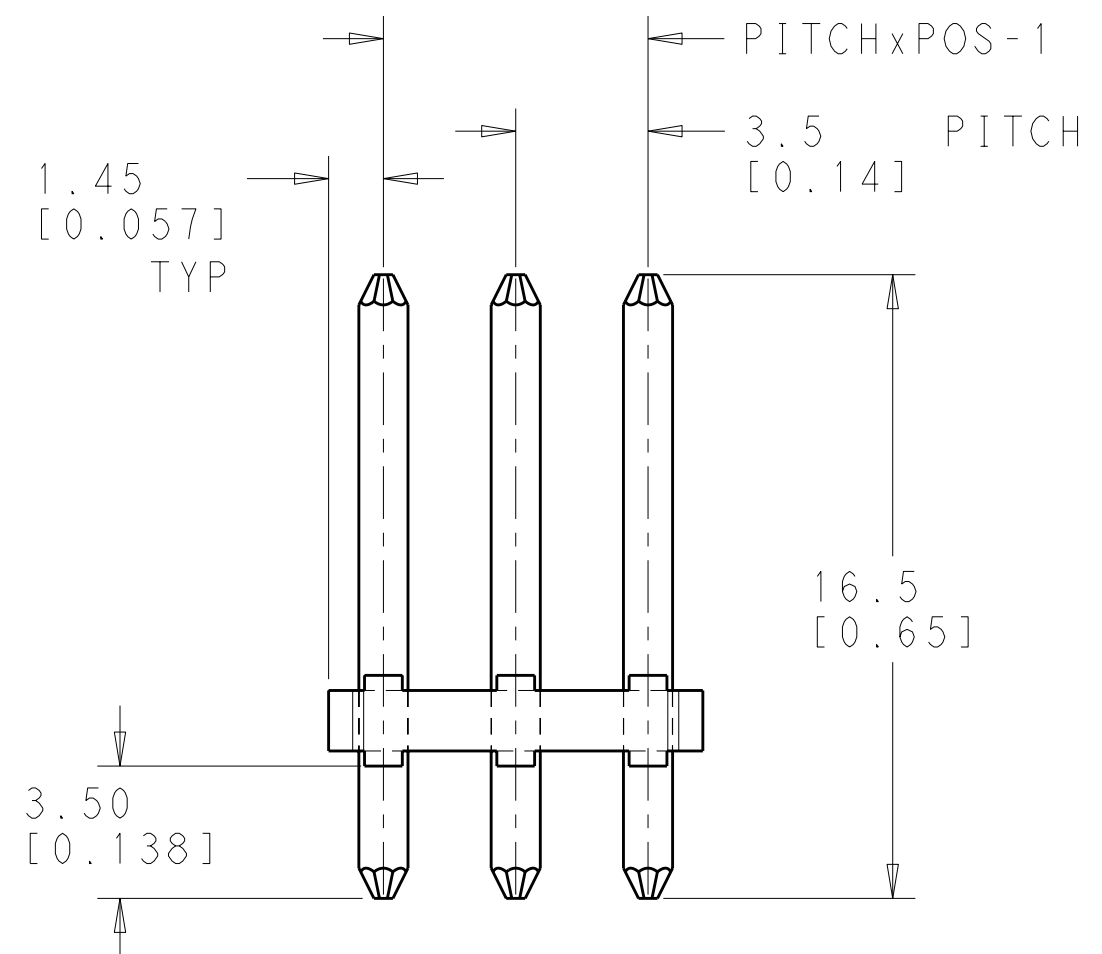
Email & Skype: info@chipsmall.com Web: www.chipsmall.com

Address: A1208, Overseas Decoration Building, #122 Zhenhua RD., Futian, Shenzhen, China



THIS DRAWING IS UNPUBLISHED. RELEASED FOR PUBLICATION 2011  
 © COPYRIGHT 2011 ALL RIGHTS RESERVED.

LOC		DIST		REVISIONS			
P	LTR	DESCRIPTION	DATE	DWN	APVD		
	B2	REVISED PER ECO-12-011409	20JUN2012	KH	MS		

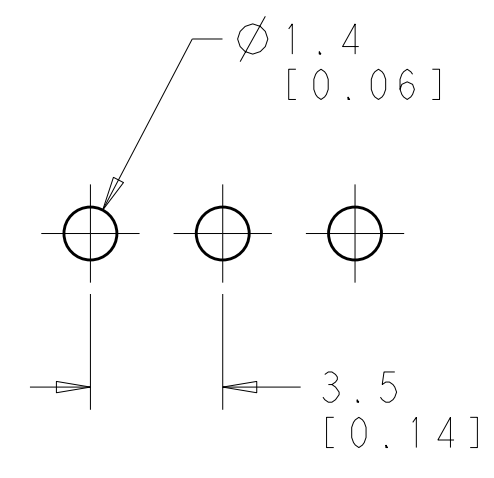
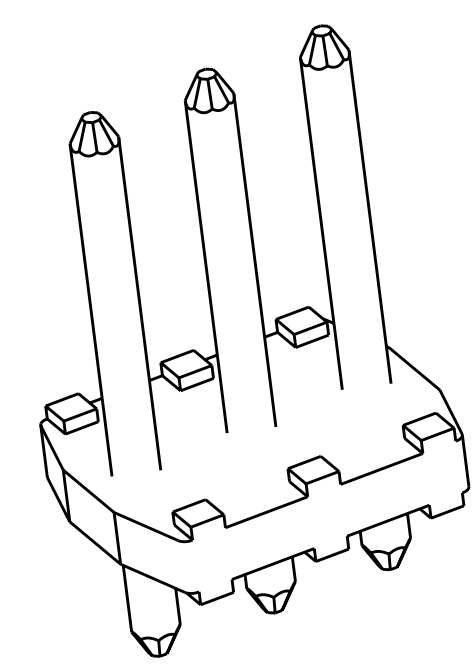
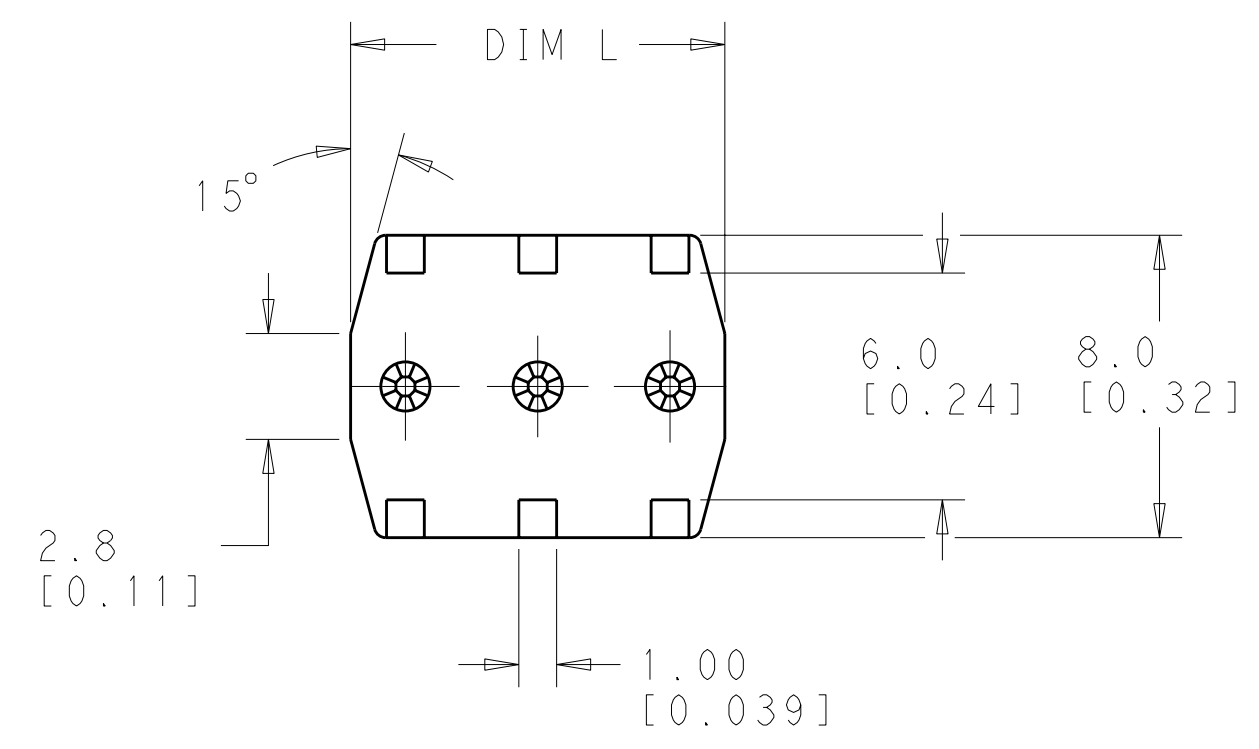


NOTE

MATERIALS:  
 HOUSING-POLYAMIDE, COLOR-GREEN  
 PIN-COPPER ALLOY-TIN PLATE

MECHANICAL  
 RECOMMENDED PCB HOLE-1.4 to 1.5mm  
 PIN DIAMETER-1.30  
 PIN LENGTH (MATING)-10.60 MM  
 PIN LENGTH (PCB)-3.50 MM  
 OPERATING TEMPERATURE--40°C TO +110°C

ELECTRICAL  
 VOLTAGE RATING- 150 VOLTS  
 CURRENT RATING-2 AMP  
 CONTACT RESISTANCE-15 MILLOHM MAX  
 INSULATION RESISTANCE-10<sup>9</sup> OHMS MIN (500V DC)



- 3 AS SHOWN

27.40[1.078]	8	1986718-8
23.90[.941]	7	1986718-7
20.40[.803]	6	1986718-6
16.90[.665]	5	1986718-5
13.4[.527]	4	1986718-4
9.90[.389]	3	1986718-3
6.40[.252]	2	1986718-2
DIM L	POS	PART NO

THIS DRAWING IS A CONTROLLED DOCUMENT.		DWN YASHKUMAR 09NOV2011	<b>STE</b> TE Connectivity	
DIMENSIONS: MM [INCH]		CHK SARVER MICHAEL 09NOV2011		
TOLERANCES UNLESS OTHERWISE SPECIFIED:		APVD SARVER MICHAEL 09NOV2011	NAME MALE CONNECTOR, UNSHROUDED HEADER WITH WITH WIDE	
0 PLC ±	±	PRODUCT SPEC	BASE-SOLDERABLE UP TO 275DEG C STRAIGHT SIDE STACKABLE,	
1 PLC ±0.20[.008]	±	APPLICATION SPEC	PIN 1.3 mm 02 - 8 POLES PITCH 3.50mm	
2 PLC ±0.20[.008]	±	WEIGHT	SIZE A2	CAGE CODE 00779
3 PLC ±	±	CUSTOMER DRAWING	DRAWING NO C-1986718	RESTRICTED TO
4 PLC ±	±		SCALE 5:1	SHEET 1 OF 1
ANGLES ±°	±°			REV B2
FINISH				