



Chipsmall Limited consists of a professional team with an average of over 10 year of expertise in the distribution of electronic components. Based in Hongkong, we have already established firm and mutual-benefit business relationships with customers from,Europe,America and south Asia,supplying obsolete and hard-to-find components to meet their specific needs.

With the principle of “Quality Parts,Customers Priority,Honest Operation,and Considerate Service”,our business mainly focus on the distribution of electronic components. Line cards we deal with include Microchip,ALPS,ROHM,Xilinx,Pulse,ON,Everlight and Freescale. Main products comprise IC,Modules,Potentiometer,IC Socket,Relay,Connector.Our parts cover such applications as commercial,industrial, and automotives areas.

We are looking forward to setting up business relationship with you and hope to provide you with the best service and solution. Let us make a better world for our industry!



Contact us

Tel: +86-755-8981 8866 Fax: +86-755-8427 6832

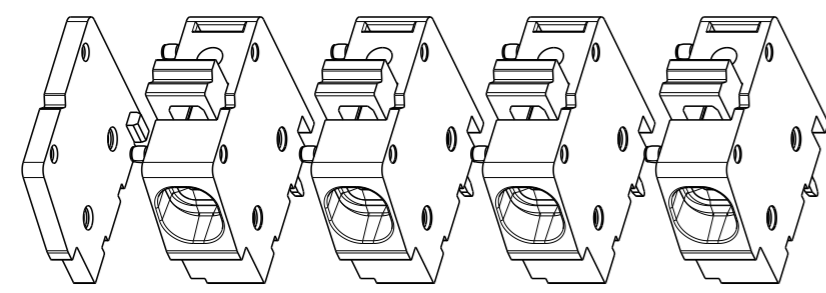
Email & Skype: info@chipsmall.com Web: www.chipsmall.com

Address: A1208, Overseas Decoration Building, #122 Zhenhua RD., Futian, Shenzhen, China

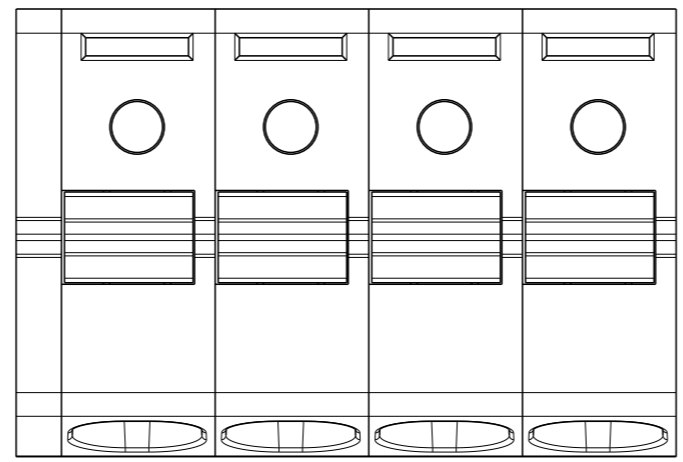


THIS DRAWING IS UNPUBLISHED. RELEASED FOR PUBLICATION 20
 © COPYRIGHT 20 BY - ALL RIGHTS RESERVED.

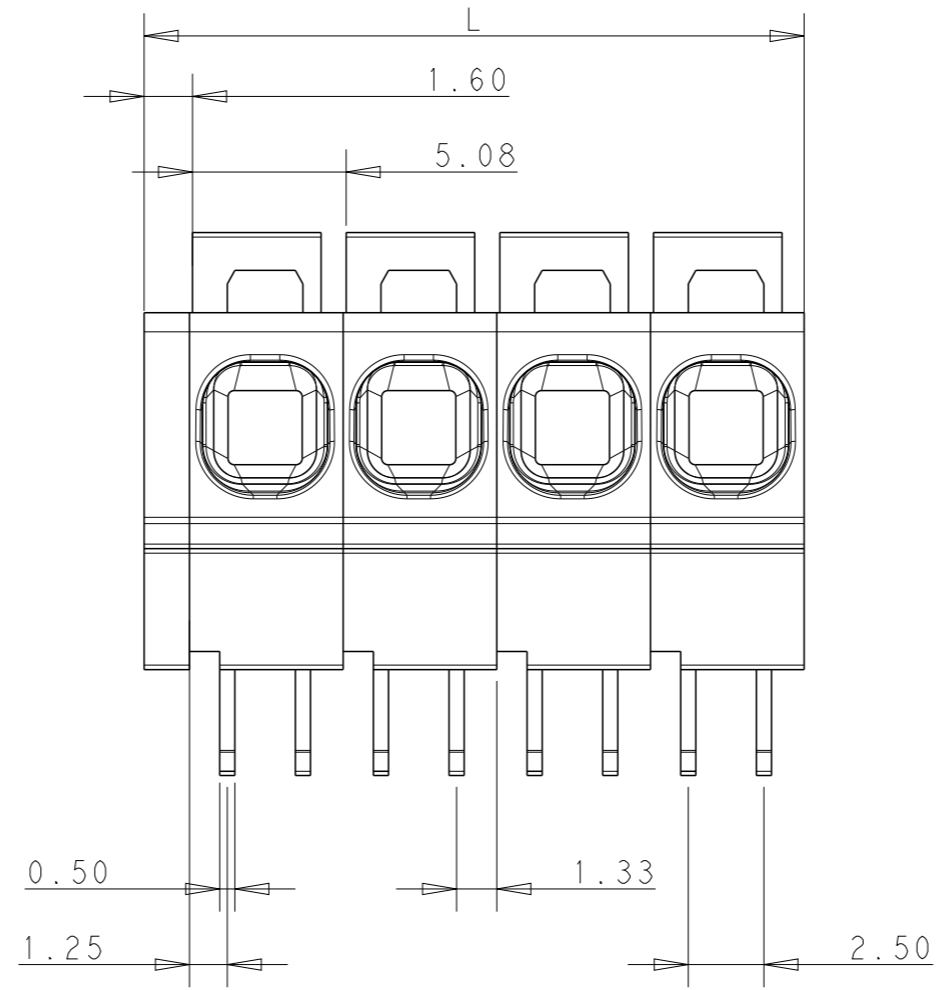
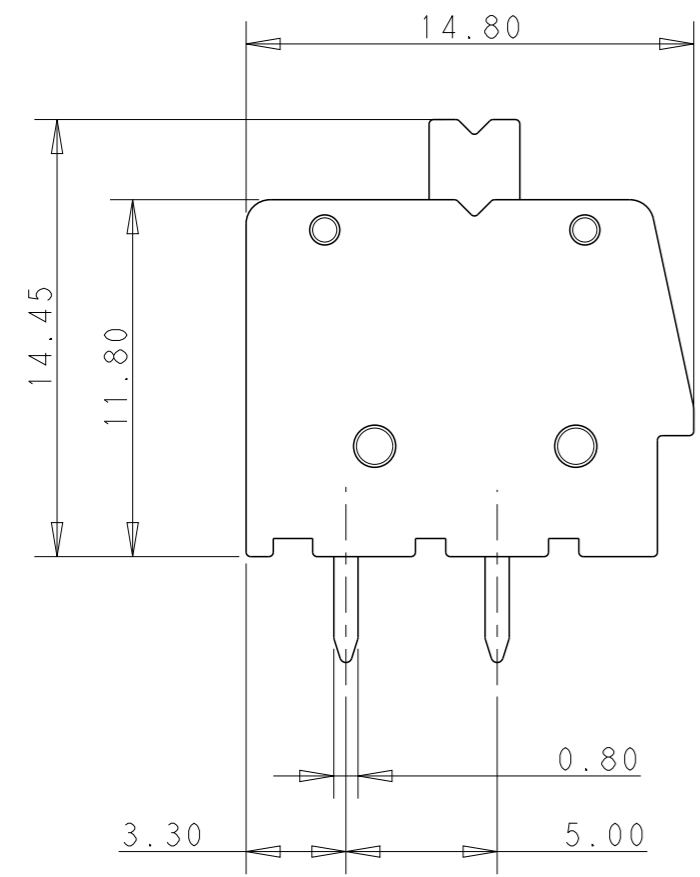
LOC		DIST		REVISIONS			
P	LTR	DESCRIPTION	DATE	DWN	APVD		
-	-	A	REVISED PER ECO-12-020777	29NOV2012	KH	MB	



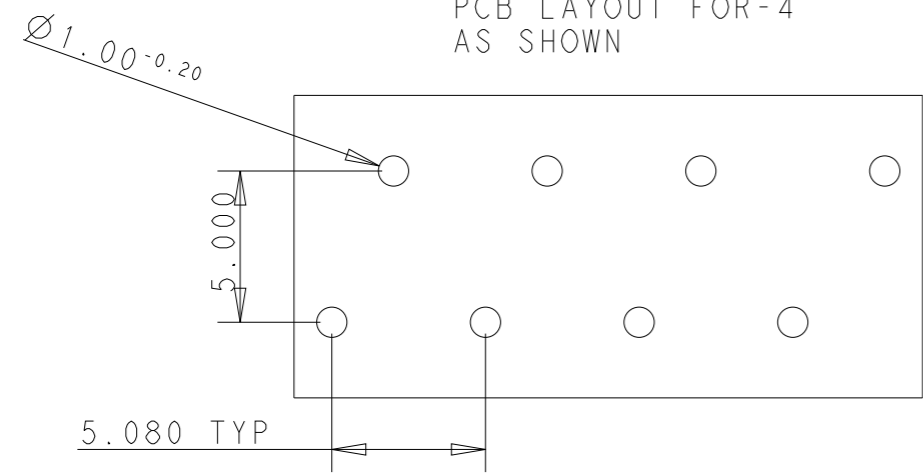
SCALE 2:1
-4 AS SHOWN



- 1 MATERIALS:
 HOUSING - POLYAMIDE, COLOR-GREEN
 CLAMPING SPRING - STEEL
 PIN - COPPER ALLOY - TIN PLATED
- 2 MECHANICAL
 PCB THICKNESS - 2.40 MAX
 PCB HOLE DIAMETER - 1.20 MIN
 STRIP LENGTH - 10-11 MM
 OPERATING TEMPERATURE - -40°C TO +110°C
- 3 ELECTRICAL
 CURRENT RATING- 15 AMP FOR 12 GAGE WIRE.
 VOLTAGE RATING- 300 VOLTS



PCB LAYOUT FOR-4
AS SHOWN



62.46	12	1-1986775-2
57.38	11	1-1986775-1
52.30	10	1-1986775-0
47.22	9	1986775-9
42.14	8	1986775-8
37.06	7	1986775-7
31.98	6	1986775-6
26.90	5	1986775-5
21.82	4	1986775-4
16.74	3	1986775-3
11.66	2	1986775-2
DIM "L"	POLE	PART NO

THIS DRAWING IS A CONTROLLED DOCUMENT.		DWN 12OCT2012 KIRAN HOLAL
DIMENSIONS: mm		CHK 12OCT2012 MARK BRUBAKER
TOLERANCES UNLESS OTHERWISE SPECIFIED:		APVD 12OCT2012 MARK BRUBAKER
0 PLC	±0.5	PRODUCT SPEC
1 PLC	±0.25	APPLICATION SPEC
2 PLC	±0.25	WEIGHT
3 PLC	±0.25	Customer Drawing
4 PLC	±0.25	
ANGLES	±1°	
MATERIAL	FINISH	

STE TE Connectivity

NAME: SPRING TYPE, SIDE WIRE ENTRY TERMINAL BLOCK
SIDE STACKABLE 02-25 POLES PITCH 5.08MM

SIZE	CAGE CODE	DRAWING NO	RESTRICTED TO
A3	00779	1986775	-

SCALE 1:4 SHEET 1 OF 1 REV A