



Chipsmall Limited consists of a professional team with an average of over 10 year of expertise in the distribution of electronic components. Based in Hongkong, we have already established firm and mutual-benefit business relationships with customers from,Europe,America and south Asia,supplying obsolete and hard-to-find components to meet their specific needs.

With the principle of “Quality Parts,Customers Priority,Honest Operation,and Considerate Service”,our business mainly focus on the distribution of electronic components. Line cards we deal with include Microchip,ALPS,ROHM,Xilinx,Pulse,ON,Everlight and Freescale. Main products comprise IC,Modules,Potentiometer,IC Socket,Relay,Connector.Our parts cover such applications as commercial,industrial, and automotives areas.

We are looking forward to setting up business relationship with you and hope to provide you with the best service and solution. Let us make a better world for our industry!



Contact us

Tel: +86-755-8981 8866 Fax: +86-755-8427 6832

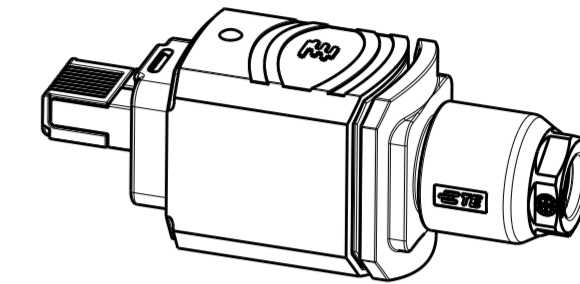
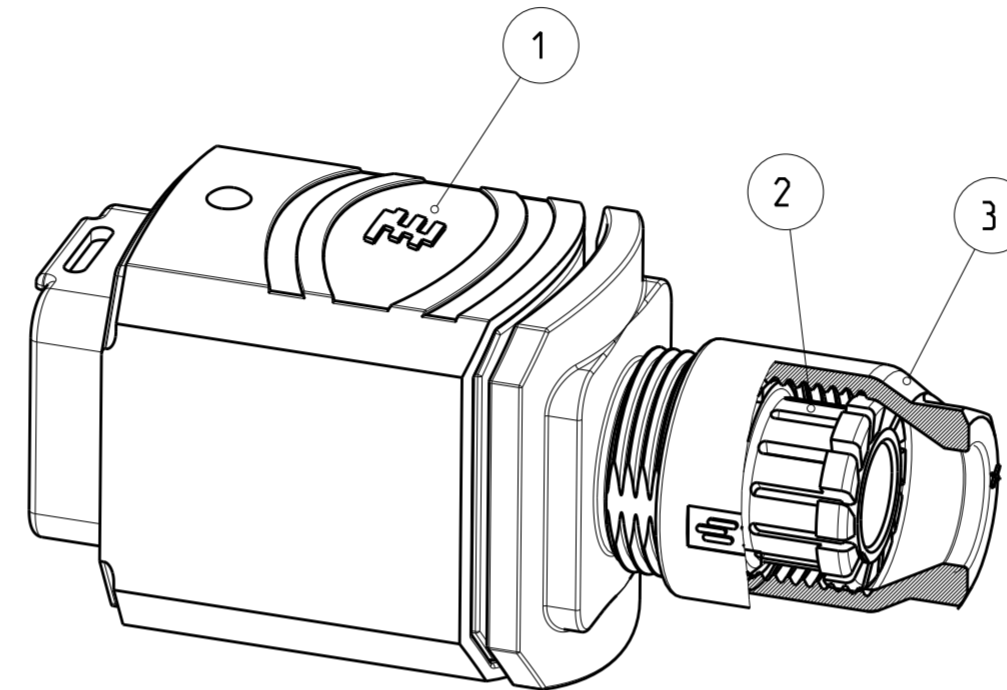
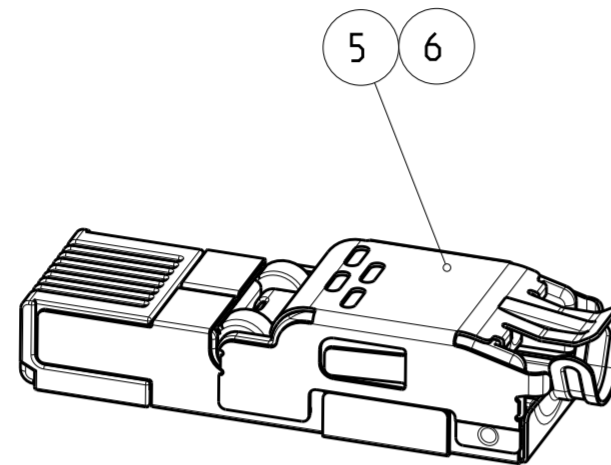
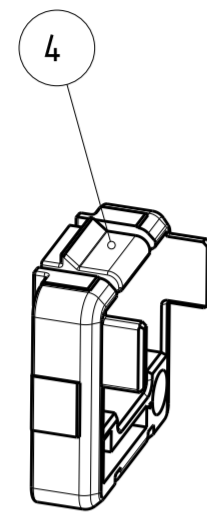
Email & Skype: info@chipsmall.com Web: www.chipsmall.com

Address: A1208, Overseas Decoration Building, #122 Zhenhua RD., Futian, Shenzhen, China



THIS DRAWING IS UNPUBLISHED
 RELEASED FOR PUBLICATION 2007
 © COPYRIGHT 2007 BY - ALL RIGHTS RESERVED.

REVISIONS				
P	LTR	DESCRIPTION	DATE	APVD
C		RETENTION CLIP MODIFICATION THAT IMPLEMENTED IN PREVIOUS REVISION IS CANCELLED	29DEC2014	TJ PS



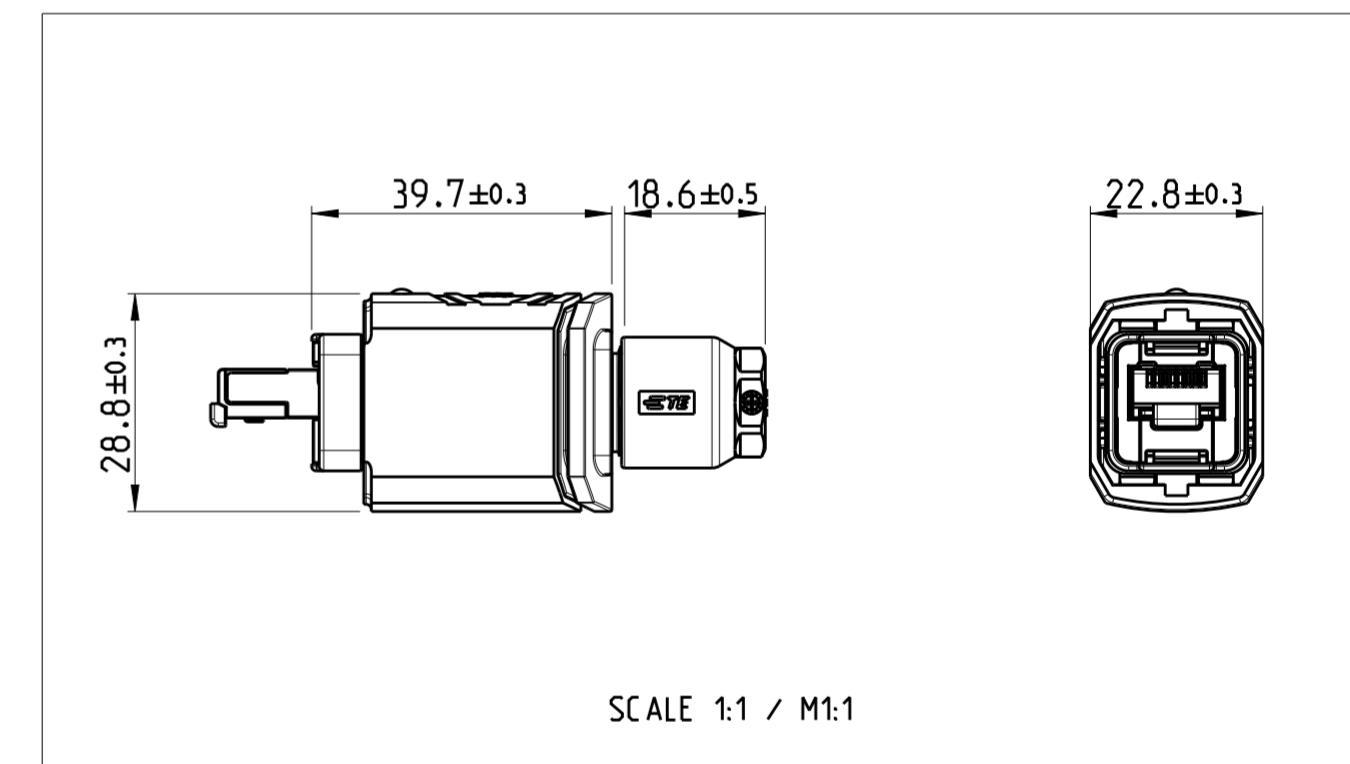
SCALE 1:1 / M 1:1

-1 AS SHOWN

 -1 WIE GEZEICHNET

SINGLE PACKING: PLASTIC BAG (MINI GRIP) WITH MANUAL.
 MULTI PACKING: 50 PIECES ITEM NO. 1, NO.2 AND NO.3 IN CORD TENSIONING BAG+
 50 PIECES ITEM NO. 4 IN PLASTIC BAG (MINI GRIP) +
 50 PIECES ITEM NO. 5 OR NO. 6 IN FOLDING BOX +
 PACKED IN CORRUGATED SHIPPING BOX WITH MANUAL.

EINZELVERPACKUNG: KUNSTSTOFFBEUTEL (MINI GRIP) MIT ANLEITUNG.
 MEHRFACHVERPACKUNG: 50 STUECK POS. 1, POS. 2 UND POS. 3 IN KORDELZUG BEUTEL +
 50 STUECK POS. 4 IN KUNSTSTOFFBEUTEL (MINI GRIP) +
 50 STUECK POS. 5 ODER POS.6 IN FALTSCHACHTEL +
 VERPACKT IN VERSANDKARTON MIT ANLEITUNG.



QTY REQD	PER ASSY	DESCRIPTION	ITEM NO
1	1	1	7
1	1	MANUAL	
50	-	1	6
-	50	-	5
50	50	1	4
50	50	1	3
50	50	1	2
50	50	1	1
-4	-3	-2	-1

THIS DRAWING IS A CONTROLLED DOCUMENT.		DWN 23MAR2007 N. THIRUNAVUKKARASU CHK 23MAR2007 W. BOECK APVD 23MAR2007 R. KRAEMER	TE Connectivity	
DIMENSIONS: mm	TOLERANCES UNLESS OTHERWISE SPECIFIED:	PRODUCT SPEC 108-94207-1/-2	NAME RJ45 PLUG, PUSH-PULL, ASSY RJ45 STECKER, PUSH-PULL, ASSY CAT5, SHIELDED	
MATERIAL	PBT / PC / TPE	APPLICATION SPEC	SIZE A2	CAGE CODE 00779
		WEIGHT	DRAWING NO C-1987004	RESTRICTED TO
		CUSTOMER DRAWING	SCALE 2:1	SHEET 1 OF 1