



Chipsmall Limited consists of a professional team with an average of over 10 year of expertise in the distribution of electronic components. Based in Hongkong, we have already established firm and mutual-benefit business relationships with customers from,Europe,America and south Asia,supplying obsolete and hard-to-find components to meet their specific needs.

With the principle of “Quality Parts,Customers Priority,Honest Operation,and Considerate Service”,our business mainly focus on the distribution of electronic components. Line cards we deal with include Microchip,ALPS,ROHM,Xilinx,Pulse,ON,Everlight and Freescale. Main products comprise IC,Modules,Potentiometer,IC Socket,Relay,Connector.Our parts cover such applications as commercial,industrial, and automotives areas.

We are looking forward to setting up business relationship with you and hope to provide you with the best service and solution. Let us make a better world for our industry!



## Contact us

Tel: +86-755-8981 8866 Fax: +86-755-8427 6832

Email & Skype: info@chipsmall.com Web: www.chipsmall.com

Address: A1208, Overseas Decoration Building, #122 Zhenhua RD., Futian, Shenzhen, China



4

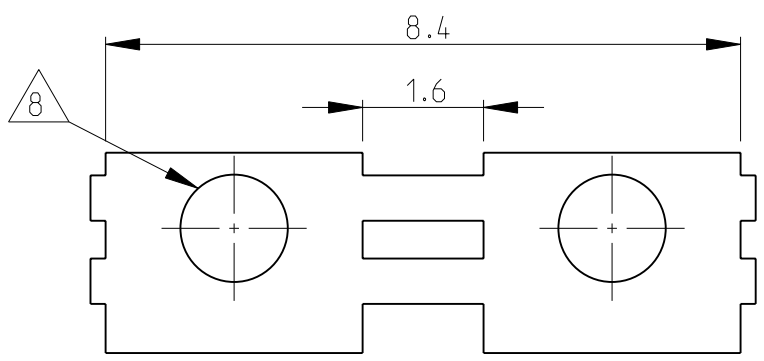
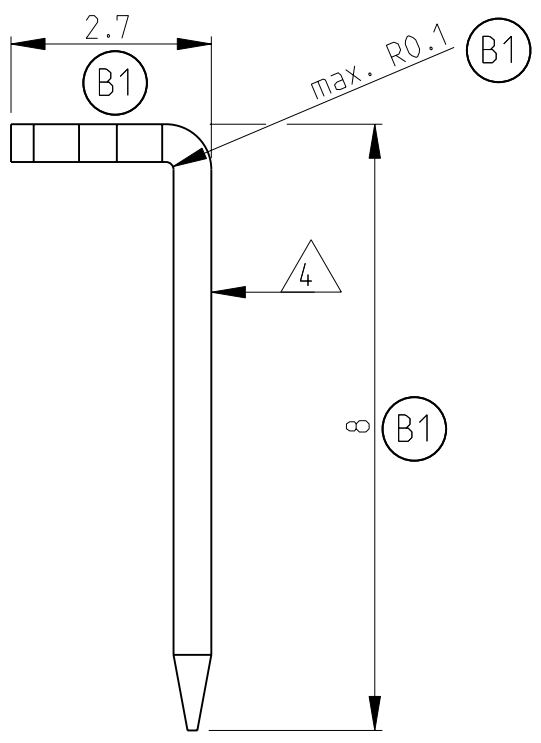
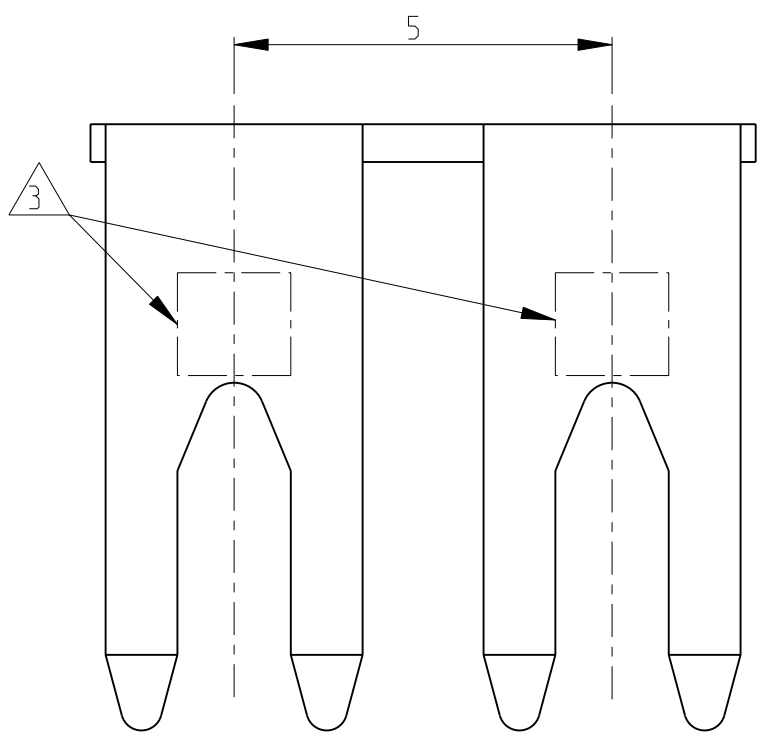
3

2

1

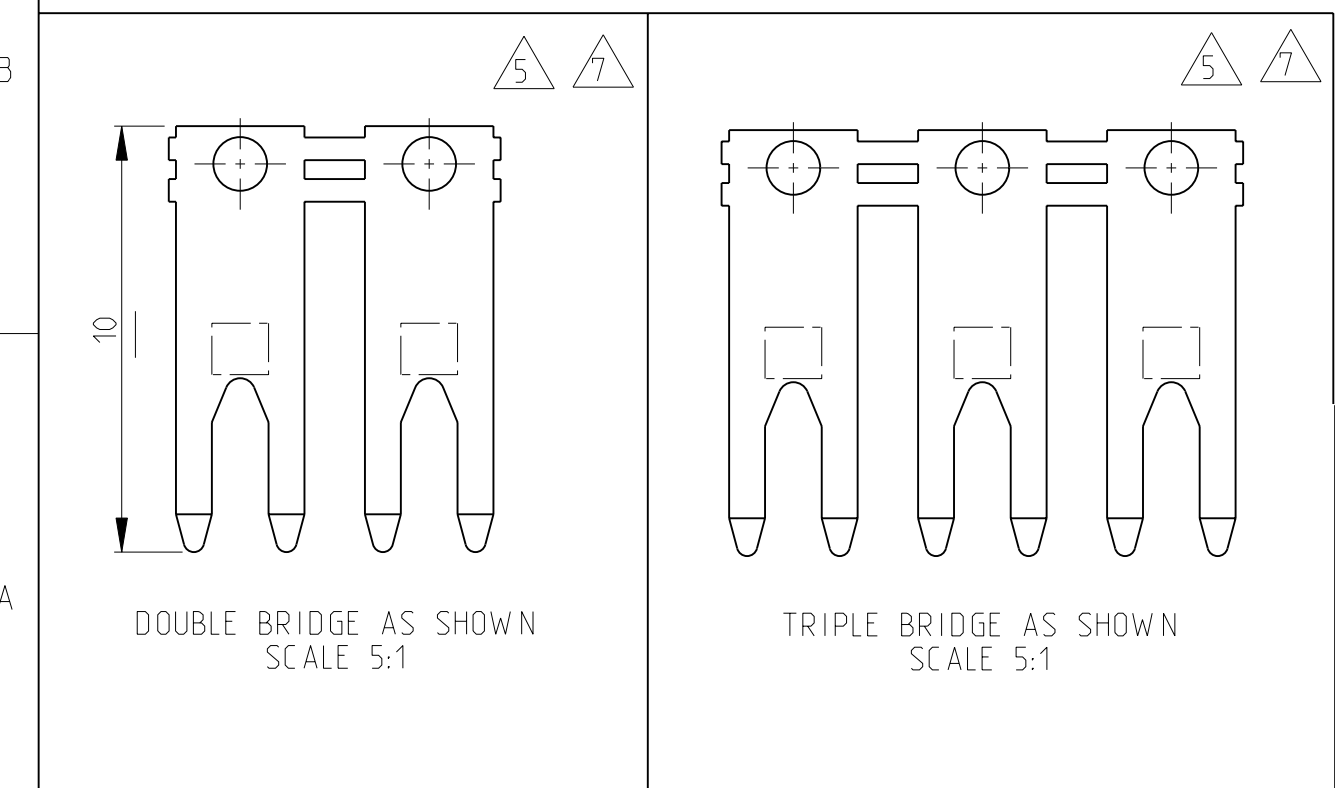
THIS DRAWING IS UNPUBLISHED. RELEASED FOR PUBLICATION 2007  
 © COPYRIGHT 2007 ALL RIGHTS RESERVED.

LOC	DIST	REVISIONS			
P	LTR	DESCRIPTION	DATE	DWN	APVD
A	-	NEW DRAWN	07AUG2007	PK	TG
A1		NOTE 7 AND OPTION HOLE (WITH/WITHOUT) ADDED	02OCT2007	Ba	MB
B1		BENDING RADII CHANGED TO MAX. R0.1	09NOV2009	Ba	RRP
B2		ECR-10-026537	08AUG11	KK	HMR




Bemerkungen:  
NOTES:

1. Material Stärke: 0.5mm  
MATERIAL THICKNESS: 0.5mm
2. Werkzeugvorschub : 5mm  
DIE FEED : 5mm
- 3 TE Markenzeichen  
TE TRADEMARK
- 4 Markenzeichen auf dieser Seite  
TRADE MARK ON THIS FACE
- 5 Kontakte werden beim Kunden gebogen  
CONTACTS WILL BE BENT AT CUSTOMER END
6. Biegebereich ohne Beschädigung oder Rissildung  
NO TOOLING MARKS OR FRACTURES ALONG BEND LINE
- 7 Die Bruecken werden im Applicator gefertigt:  
2 Einzelkontakte erzeugen 1 Doppelbruecke.  
3 Einzelkontakte erzeugen 1 Dreifach Bruecke etc.  
THE BRIDGES SHALL FINALIZED BY APPLICATOR:  
2 SINGLE CONTACTS GENERATE A DOUBLE BRIDGE.  
3 SINGLE CONTACTS GENERATE A TRIPPLE BRIDGE, ETC.



OBSELETE	PRE TINNED	WITHOUT	Brass	<del>4-1987199-1</del>
	PRE TINNED	WITH	Brass	0-1987199-1
	FINISH	APPL. HOLE	MATERIAL	PART NO

THIS DRAWING IS A CONTROLLED DOCUMENT.

DWN	07AUG2007	 TE Connectivity	
CHK	07AUG2007		
APVD	07AUG2007		
PRODUCT SPEC	T.Gerlach		
APPLICATION SPEC	-	NAME	Bridge contact
WEIGHT	-	SIZE	A3
MATERIAL	SEE TABLE	CAGE CODE	00779
FINISH	SEE TABLE	DRAWING NO	1987199
CUSTOMER DRAWING		RESTRICTED TO	-
		SCALE	5:1
		SHEET	1 OF 1
		REV	B2