



Chipsmall Limited consists of a professional team with an average of over 10 year of expertise in the distribution of electronic components. Based in Hongkong, we have already established firm and mutual-benefit business relationships with customers from,Europe,America and south Asia,supplying obsolete and hard-to-find components to meet their specific needs.

With the principle of "Quality Parts,Customers Priority,Honest Operation,and Considerate Service",our business mainly focus on the distribution of electronic components. Line cards we deal with include Microchip,ALPS,ROHM,Xilinx,Pulse,ON,Everlight and Freescale. Main products comprise IC,Modules,Potentiometer,IC Socket,Relay,Connector.Our parts cover such applications as commercial,industrial, and automotives areas.

We are looking forward to setting up business relationship with you and hope to provide you with the best service and solution. Let us make a better world for our industry!



Contact us

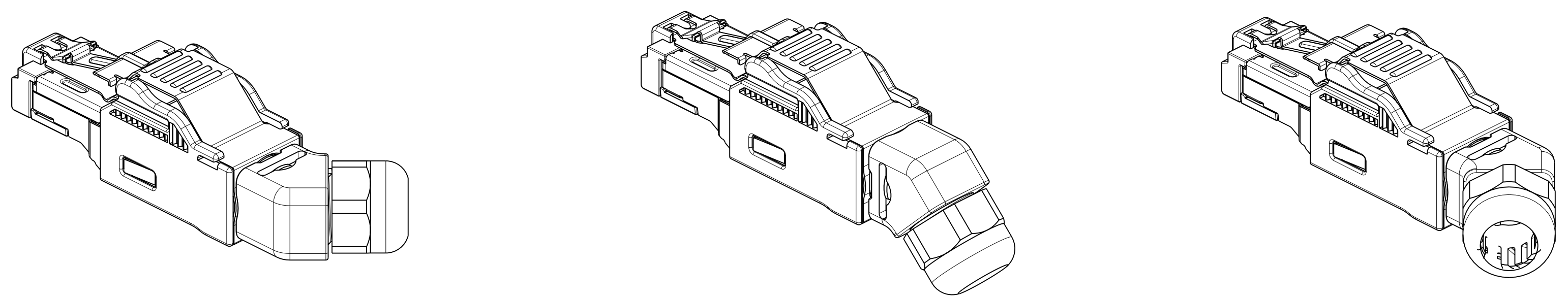
Tel: +86-755-8981 8866 Fax: +86-755-8427 6832

Email & Skype: info@chipsmall.com Web: www.chipsmall.com

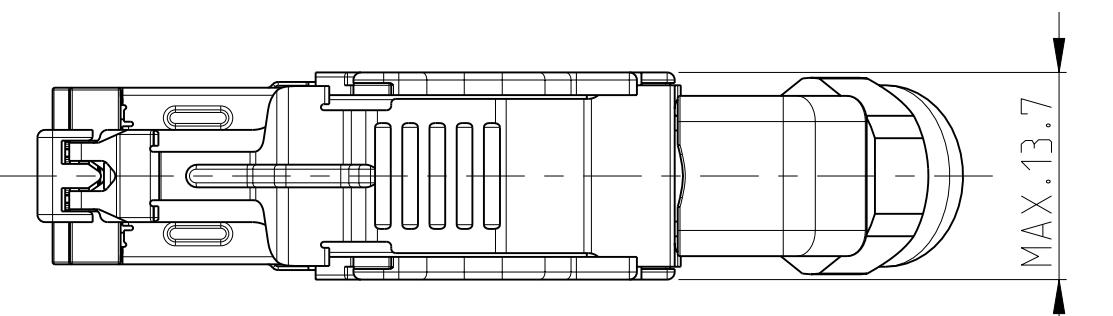
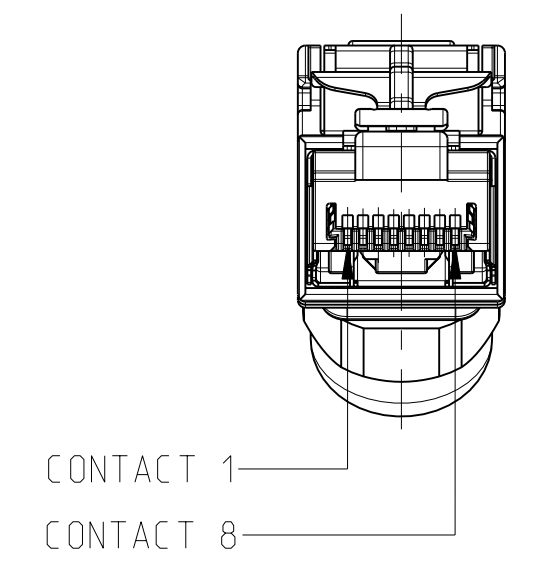
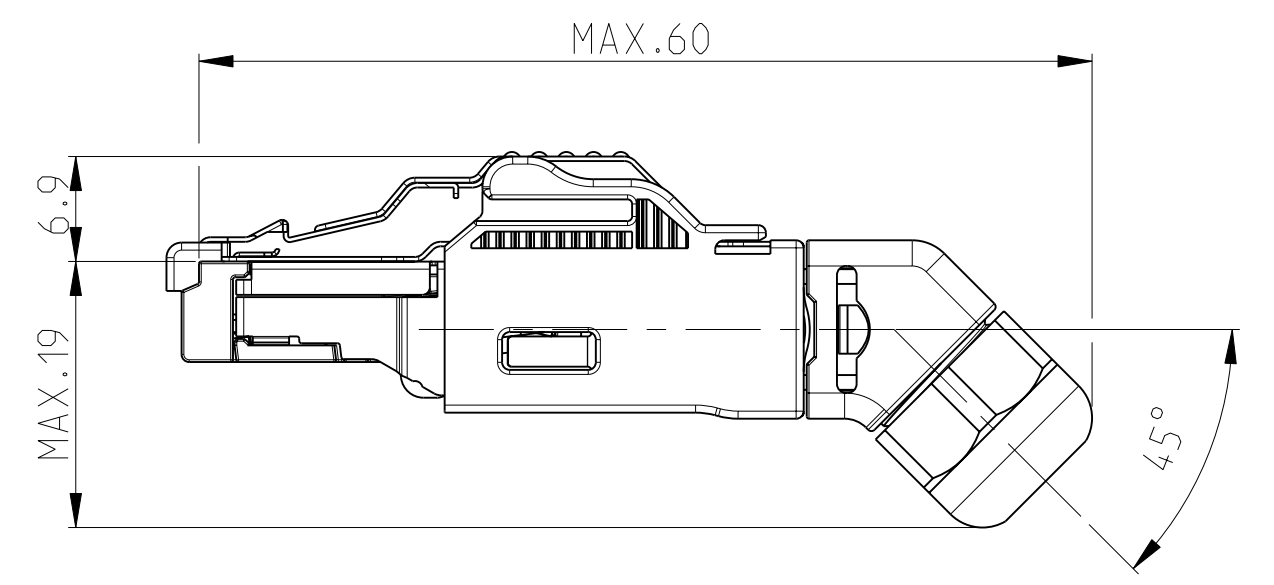
Address: A1208, Overseas Decoration Building, #122 Zhenhua RD., Futian, Shenzhen, China



POTENTIAL OF VERSIONS CABLE OUTLET
 MOEGLICHE VARIANTEN KABELABGANG



MOUNTED STATE - FOR INFORMATION ONLY
 MONTIERTER ZUSTAND - NUR ZUR INFORMATION



COLOR ALLOCATION OF TERMINAL WIRE
 TO RJ45 CONTACT 4 POS. TYPE:

FARBZUORDNUNG DES ANSCHLUSSDRAHTES
 ZUM RJ45-KONTAKT 4 POL. AUSFUEHRUNG:

1987236-1 + 1987236-2
 1987236-5 + 1987236-6

CONTACT NO./NR.	WIRE COLOR DRAHTFARBE
1	YELLOW GELB
2	ORANGE ORANGE
3	WHITE WEISS
6	BLUE BLAU

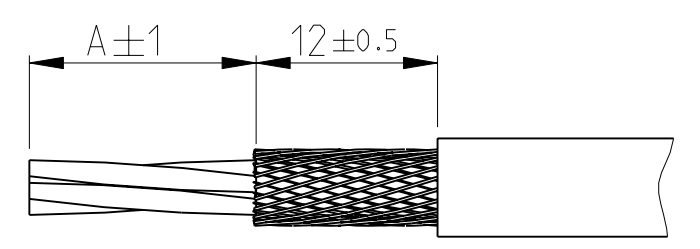
COLOR ALLOCATION OF TERMINAL WIRE
 TO RJ45 CONTACT 8 POS. TYPE:

FARBZUORDNUNG DES ANSCHLUSSDRAHTES
 ZUM RJ45-KONTAKT 8 POL. AUSFUEHRUNG:

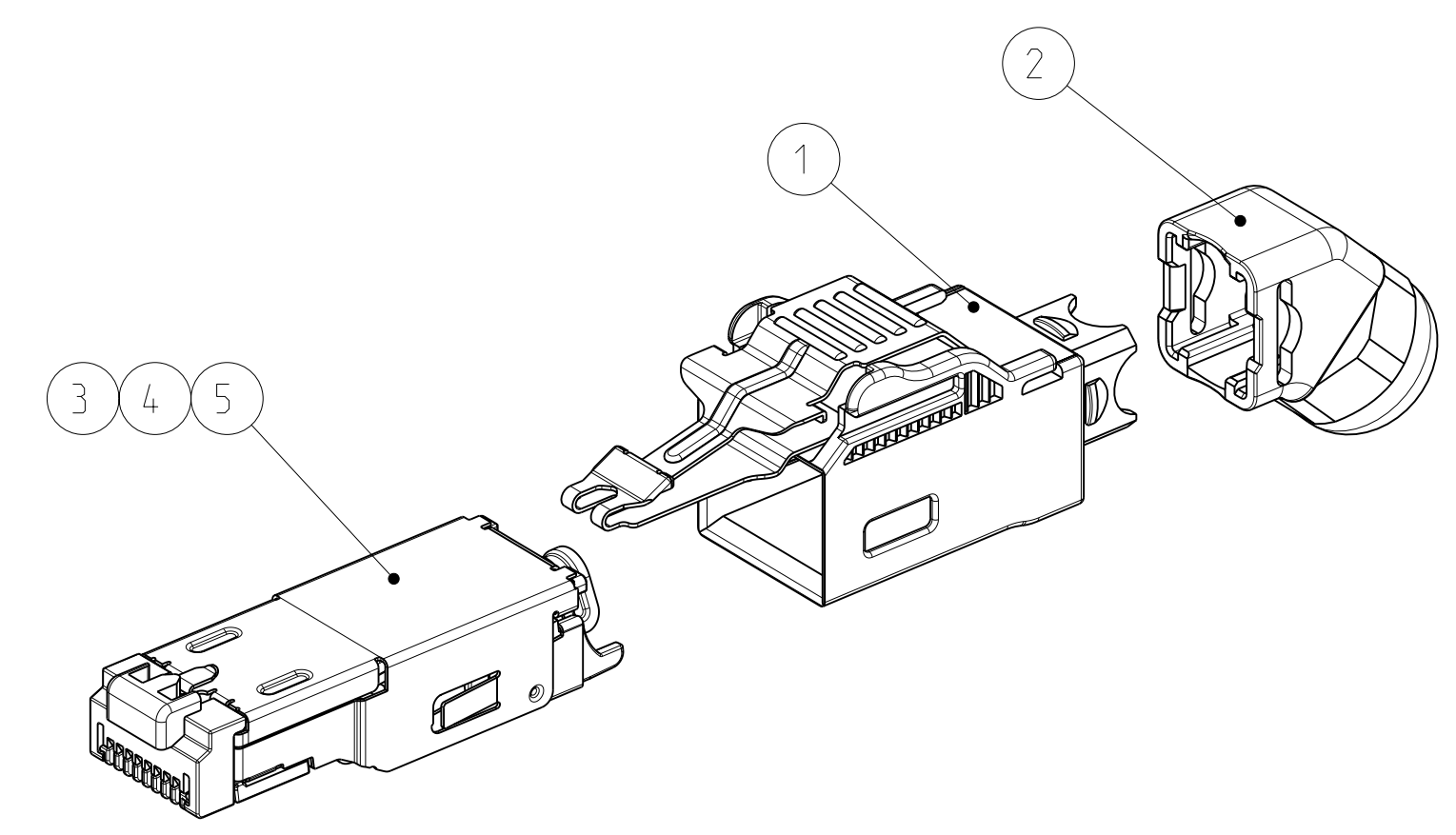
1987236-3 + 1987236-4
 1987236-5 + 1987236-6

CONTACT NO./NR.	WIRE COLOR DRAHTFARBE	
	568A	568B
1	WHITE/GREEN WEISS/GRUEN	WHITE/ORANGE WEISS/ORANGE
2	GREEN GRUEN	ORANGE ORANGE
3	WHITE/ORANGE WEISS/ORANGE	WHITE/GREEN WEISS/GRUEN
4	BLUE BLAU	BLUE BLAU
5	WHITE/BLUE WEISS/BLAU	WHITE/BLUE WEISS/BLAU
6	ORANGE ORANGE	GREEN GRUEN
7	WHITE/BROWN WEISS/BRAUN	WHITE/BROWN WEISS/BRAUN
8	BROWN BRAUN	BROWN BRAUN

RECOMMENDED STRIPPING LENGTH
 EMPFOHLENE ABISOLIERLAENGE



LENGTH LAENGE	1987236-3, -4 CORE 8 P.	1987236-1, -2 CORE 4 P.	1987236-5, -6 COMMON CORE 8 P., GIGABIT GEM. KERN 8 P., GIGABIT
A	15	15	18



- ⚠ SINGLE PACKING: BLISTER PACKAGE WITH INSTRUCTION SHEET.
- ⚠ MULTI PACKING: 50 PIECE ITEM NO. 1 IN FOLDING BOX + 50 PIECE ITEM NO. 2 IN PLASTIC BAG (MINI GRIP) + 50 PIECE ITEM NO. 3 OR 4 OR 5 IN FOLDING BOX PACKED IN CORRUGATED SHIPPING BOX WITH INSTRUCTION SHEET.
- ⚠ EINZELVERPACKUNG: BLISTERVERPACKUNG MIT VERARBEITUNGSANWEISUNG.
- ⚠ MEHRFACHVERPACKUNG: 50 STUECK POS. 1 IN FALTSCHACHTEL + 50 STUECK POS. 2 IN KUNSTSTOFFBEUTEL (MINI GRIP) + 50 STUECK POS. 3 ODER 4 ODER 5 IN FALTSCHACHTEL VERPACKT IN VERSANDKARTON MIT VERARBEITUNGSANWEISUNG.

1987236-6	1987236-5	1987236-4	1987236-3	1987236-2	1987236-1	TYCO ELECTRONICS ORDER NO. BESTELL-NR.	
50	1	-	-	-	5		COMMON CORE 8 P., GIGABIT GEM. KERN 8 P., GIGABIT
-	-	50	1	-	4	CORE 8P ASSY	
-	-	-	50	1	3	CORE 4P ASSY	
50	1	50	1	50	1	2	ANGLE PART WITH NUT IP20 WINKELSTUECK MIT MUTTER IP20
50	1	50	1	50	1	1	CASE IP20 WITH LOCK SPRING GEHAUSE IP20 MIT RASTFEDER
QUANTITY STUECK						ITEM-NO. POS.	DESCRIPTION BENENNUNG

THIS DRAWING IS A CONTROLLED DOCUMENT FOR TYCO ELECTRONICS CORPORATION. IT IS SUBJECT TO CONTROLLED DOCUMENT AND ELECTRICAL DRAWING STANDARDS AND CONTROLLED FOR THE LATEST REVISION.	
DIESER ZEICHNUNGSDRUCK IST EIN KONTROLLIERTES DOKUMENT. ANWENDUNG: FÜR DIE FÜR TYCO ELECTRONICS KORPORATION GELTENDE STANDARDS FÜR KONTROLLIERTE DOKUMENTE UND ELEKTRIKALIEBUNGSDOKUMENTE.	
DIMENSIONS: MASSENMESSEN (mm)	TOLERANCES, UNLESS OTHERWISE SPECIFIED: ALLGEMEINTOLERANZEN
0 PLC ±0.3	1 PLC ±0.3
2 PLC ±0.3	3 PLC ±0.3
4 PLC ±0.3	5 PLC ±0.3
6 PLC ±0.3	7 PLC ±0.3
8 PLC ±0.3	9 PLC ±0.3
MATERIAL: -	FINISH/SCHICHEL/FARBE: -

DWN: E. REISS	25OCT2007	Tyco Electronics AMP GmbH 64625 Bensheim (Germany)
CHK: W. BOECK	25OCT2007	
APVD: P. KRAEMER	25OCT2007	NAME: RJ45 CONNECTOR IP20 45 DEG. INDUSTRIAL ETHERNET RJ45 STECKER IP20 45 GRAD
PRODUCT SPEC: 108-78381	APPLICATION SPEC: -	SIZE: A11
VERARBEITUNGSPEZ: 411-18405	ANGLE/SCHICHEL/FARBE: -	CAGE CODE: 00779
WEIGHT: -	GEWICHT: -	DRAWING NO.: 1987236
CUSTOMER DRAWING	/KUNDENZEICHNUNG	SCALE: 2:1
		SHEET 1 OF 1
		REV: A3