



Chipsmall Limited consists of a professional team with an average of over 10 year of expertise in the distribution of electronic components. Based in Hongkong, we have already established firm and mutual-benefit business relationships with customers from,Europe,America and south Asia,supplying obsolete and hard-to-find components to meet their specific needs.

With the principle of “Quality Parts,Customers Priority,Honest Operation,and Considerate Service”,our business mainly focus on the distribution of electronic components. Line cards we deal with include Microchip,ALPS,ROHM,Xilinx,Pulse,ON,Everlight and Freescale. Main products comprise IC,Modules,Potentiometer,IC Socket,Relay,Connector.Our parts cover such applications as commercial,industrial, and automotives areas.

We are looking forward to setting up business relationship with you and hope to provide you with the best service and solution. Let us make a better world for our industry!



Contact us

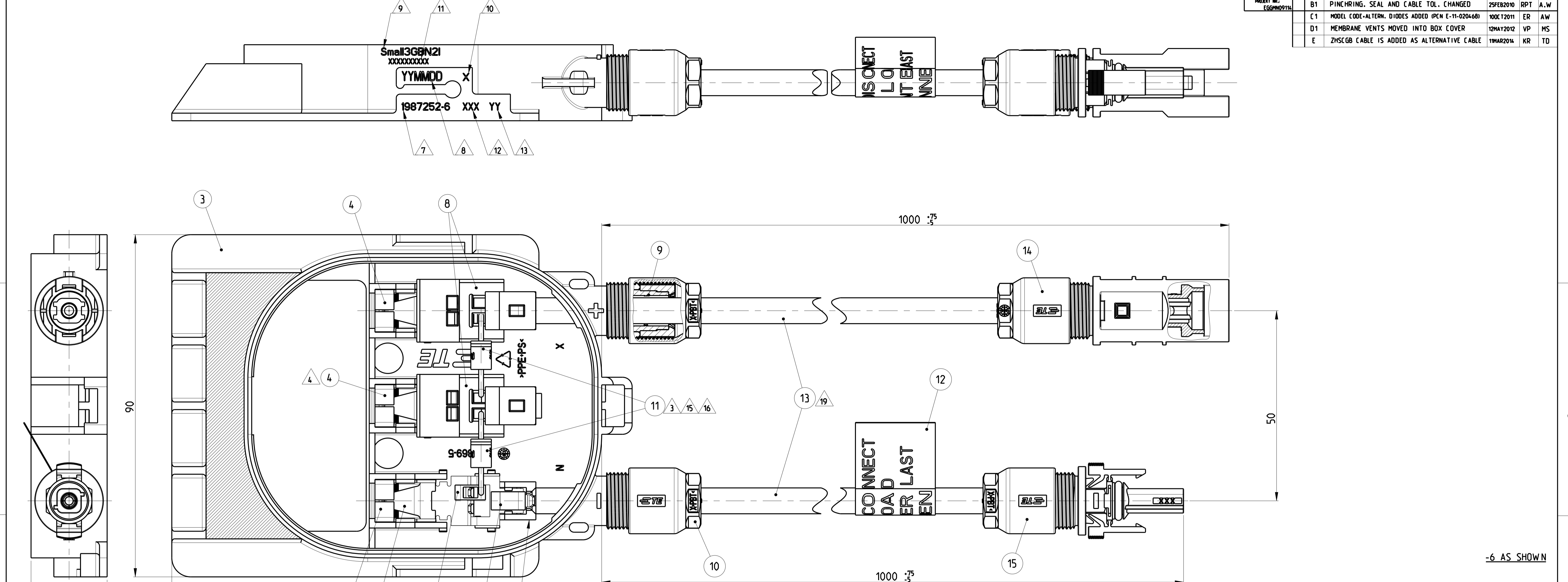
Tel: +86-755-8981 8866 Fax: +86-755-8427 6832

Email & Skype: info@chipsmall.com Web: www.chipsmall.com

Address: A1208, Overseas Decoration Building, #122 Zhenhua RD., Futian, Shenzhen, China



LOC		DIST		REVISIONS			
A2		P	LTR	REVISION	DATE	DWN	APVD
PROJECT NO.: EGGN00114				B1	PINCHRING, SEAL AND CABLE TOL. CHANGED	25FEB2010	RPT A.W
				C1	MODEL CODE-ALTERN. DIODES ADDED (PCM E-11-020468)	10OCT2011	ER A.W
				D1	MEMBRANE VENTS MOVED INTO BOX COVER	12MAY2012	VP MS
				E	ZHSCGB CABLE IS ADDED AS ALTERNATIVE CABLE	19MAR2014	KR TD



-6 AS SHOWN

1987252-6		TE CONNECTIVITY			
QTY.	ITEM-NO.	DESCRIPTION	SURFACE COLOUR	MATERIAL	
1	17	RING FOR ULTRASONIC WELDING	BEIGE	-	
1	16	MEMBRANE VENTS	BLACK	-	
1	15	CONNECTOR MINUS. SOCKET	-	-	
1	14	CONNECTOR NEUTRAL. PIN	-	-	
2	13	CABLE 4mm ² /AWG12, ZHSCG, TE CONNECTIVITY	BLACK	-	19
1	12	LABEL	-	-	
2	11	BYPASS DIODE TYPE: SL1010	-	-	3, 15, 16
2	10	CABLE SCREW JOINT	BLACK	PBT	
2	9	PINCH RING SEAL INMOLDED. ASSY	BLACK	PA66 / LSR	
3	8	SHROUDING COVER	BLACK	PET	
3	7	FOIL SPRING	PLAIN	STAINLESS STEEL	
6	6	SPRING CLAMP WITH ANTI OVERSTRESS	PLAIN	STAINLESS STEEL	
2	5	SPRING CLAMP WITH ANTI OVERSTRESS	PLAIN	STAINLESS STEEL	
3	4	CONTACT RAIL	TIN HOT DIPPED	CuZn	4
1	3	SOLAR MODULE BOX, LOWER PART	-	-	
1	2	O-RING	RED	SILICONE	
1	1	SOLAR MODULE BOX COVER, ASSY	BLACK	PPE-PS	

THIS DRAWING IS A CONTROLLED DOCUMENT.

DIMENSIONS: MILLIMETER

TOLERANCES UNLESS OTHERWISE SPECIFIED: ALIQUOTED DIMENSION

0 PLC	±
1 PLC	±
2 PLC	±
3 PLC	±
4 PLC	±

MATERIAL: -

Customer Drawing

APPROVED: A. ROEHNISCH, 27-JAN-09
 M. STRELOW, 28-JAN-09
 A. W. DOBER, 28-JAN-09

NAME: SOLAR MODULE BOX SMALL WITH CABLE, ASSY

PRODUCT SPEC: -
 PRODUCT SPEC: 108-18955
 APPLICATION SPEC: -
 VERBODEN TE WISSELN: 114-10408-1
 TE CATALOG-NR.: -
 WEIGHT: -
 DIMENSIONEN: -

SCALE: 2:1

SHEET 1 OF 2

REV E

LOC	DIST	REV	DATE	APVD	REVISIONS
A2	-	1	28-JAN-09	-	DESCRIPTION
PROJECT NO. EGGM00114		SEE SHEET 1		-	-

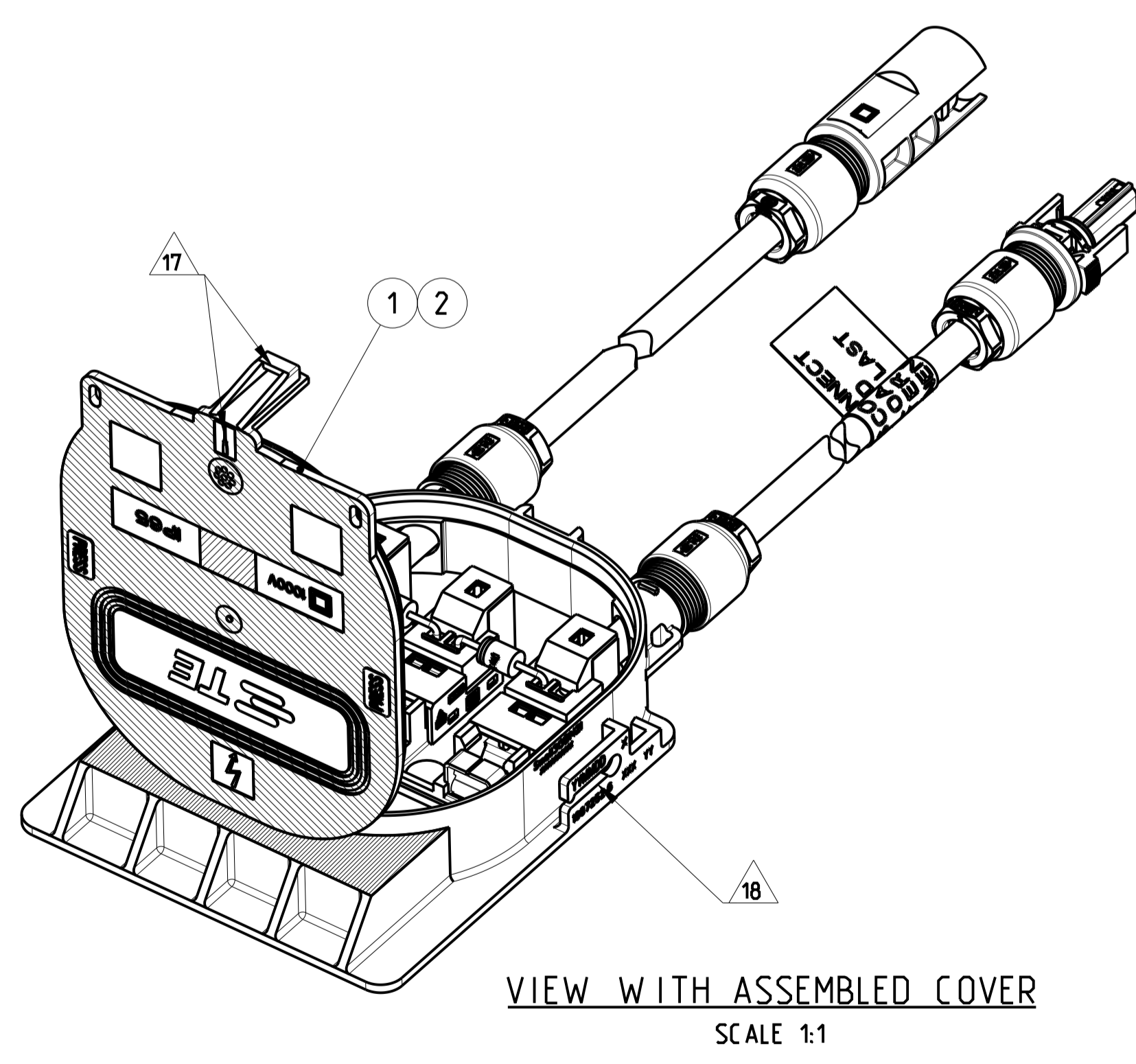
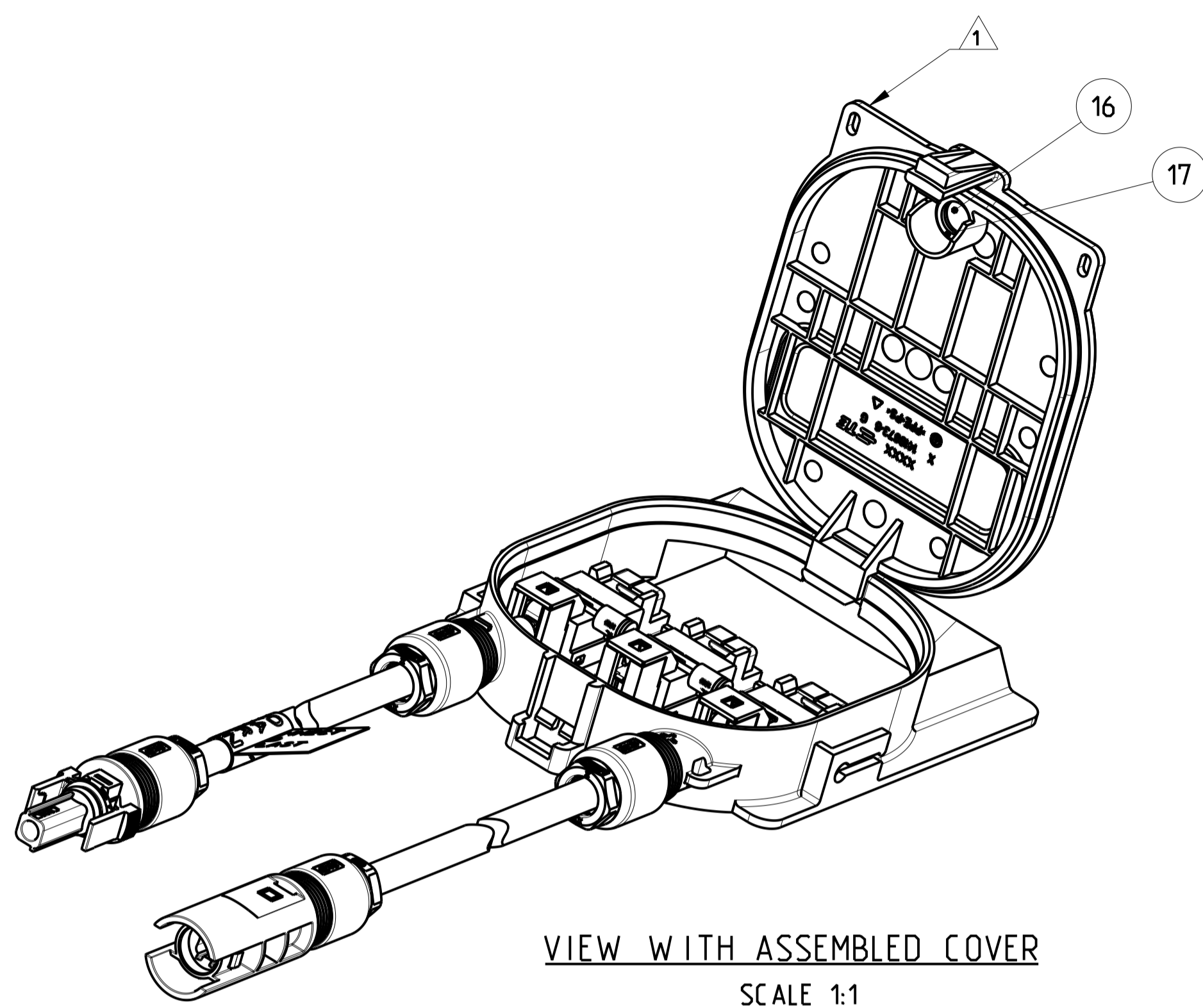
- 1 COVER ITEM NO. 1 AND O-RING ITEM NO. 2 NOT SHOWN.
COVER NOT ASSEMBLED WITH LOWER PART. ENCLOSE LOOSELY (SEE NOTE 2).
- 2 PACKAGING: 40 PIECES SOLAR MODULE BOX SMALL WITH CABLE. ASSY'S
PACKAGED IN CORRUGATED SHIPPING BOX.
2 LAYERS OF 19 PIECES AND 1 LAYER OF 2 PIECES.
USED CORRUGATED LAYER PAD FOR INTERLAYER.
SECOND LAYER OF 19 PIECES COVERED WITH CORRUGATED LAYER PAD.
THERE ON THE THIRD LAYER OF 2 PIECES.
THIRD LAYER COVERED WITH CORRUGATED LAYER PAD.

40 PIECES SOLAR MODULE BOX COVER ASSY'S BULK PACKAGED IN
ESD PLASTIC BAG PUT ON THE THIRD LAYER
CORRUGATED LAYER PAD.

ON TOP USED AS COVER CORRUGATED LAYER PAD.

PACKAGING UNIT: 40 PIECES
 STANDARD PACKAGING QUANTITY: 40 PIECES

- 3 DIODE ACCORDING TO SPECIFICATION 108-94045-1.
- 4 CONTACT RAIL ITEM NO. 4 CAN BE ALSO ASSEMBLED WITH
SPRING CLAMP ITEM NO. 5. OPTIONAL.
- 5 SHROUDING COVER ITEM NO. 8 NOT SHOWN
- 6 FOR CABLES PER APPLICATION SPEC. 114-18488-1
WITH OUTER DIAMETER 5.5-7.8
- 7 PART NUMBER WITH PREFIX AND SUFFIX NUMBER
- 8 PRODUCTION DATE (YYMMDD)
- 9 MODEL CODE ACCORDING TE-SPEC. 404-74000-1
- 10 MARK FOR DIODE TYPE: LEAVE BLANK FOR DIODE SL1010.
A FOR DIODE SL1110.
B FOR DIODE SL1110B.
- 11 CONSECUTIVE SERIAL NUMBER.
- 12 MANUFACTURING LOCATION CODE.
- 13 TEST EQUIPMENT NUMBER
- 14 I_{SCmax} = 10.5A ACC. IEC 61215 ED. 2.0. SECTION 10.18
- 15 DIODE SL1110 ACC. SPEC. 108-94119 OR DIODE SL1110B ACC. SPEC. 108-2444
CAN BE ALTERNATIVELY USED.
- 16 ONLY DIODES OF THE SAME TYPE RESP. DESIGNATION
ARE PERMITTED FOR USE IN ONE AND THE SAME SOLAR MODULE BOX.
ONLY SOLAR MODULE BOXES WITH THE SAME DIODES ARE PERMITTED
TO PACK IN ONE AND THE SAME CORRUGATED SHIPPING BOX.
- 17 SOLAR CABLE. ZHSCGB PN 1983530-1 CAN BE ALTERNATIVELY USED.



MOUNTING INSTRUCTION
FOR COVER, ASSY:

1. MOUNT COVER, ASSY ITEM NO. 1 AND 2 INTO THE LOWER PART ITEM NO. 3 AND CLOSE IT.
(LATCH SNAP IN).
2. RE-OPEN: PUT IN MARKED OPENING SCREWDRIVER 3mm AND MOVE LATCH
UNTIL LOCKING LATCH FREE THE COVER, ASSY.
OPEN COVER, ASSY ITEM NO. 1 AND 2 AND PUT IN LATERAL RETAINING SLOT .

-6 AS SHOWN

THIS DRAWING IS A CONTROLLED DOCUMENT.		DWG A.ROEHNISCH 27-JAN-09	TE Connectivity	
DIMENSIONS: ASSEMBLY: mm		CHK M.STRELOW 28-JAN-09	NAME SOLAR MODULE BOX SMALL WITH CABLE, ASSY	
TOLERANCES UNLESS OTHERWISE SPECIFIED: ALIGNMENT: mm		APPD A.W. DOEBER 28-JAN-09	PRODUCT SPEC 108-18955	
0 PLC ±		APPLICATION SPEC		
1 PLC ±		VERSION/NUMERICAL		
2 PLC ±		114-18488-1		
3 PLC ±		WEIGHT		
4 PLC ±		Customer Drawing		
5 PLC ±		/KUNDENZEICHNUNG		
6 PLC ±		SCALE 2:1		
7 PLC ±		SHEET 2 OF 2		
8 PLC ±		REV E		
9 PLC ±		DRAWING NO. 00779		
10 PLC ±		CAGE CODE		
11 PLC ±		1987252-6		
12 PLC ±		RESTRICTED TO		
13 PLC ±		MGR PER		
14 PLC ±		-		
15 PLC ±		-		
16 PLC ±		-		
17 PLC ±		-		
18 PLC ±		-		