



Chipsmall Limited consists of a professional team with an average of over 10 year of expertise in the distribution of electronic components. Based in Hongkong, we have already established firm and mutual-benefit business relationships with customers from,Europe,America and south Asia,supplying obsolete and hard-to-find components to meet their specific needs.

With the principle of “Quality Parts,Customers Priority,Honest Operation,and Considerate Service”,our business mainly focus on the distribution of electronic components. Line cards we deal with include Microchip,ALPS,ROHM,Xilinx,Pulse,ON,Everlight and Freescale. Main products comprise IC,Modules,Potentiometer,IC Socket,Relay,Connector.Our parts cover such applications as commercial,industrial, and automotives areas.

We are looking forward to setting up business relationship with you and hope to provide you with the best service and solution. Let us make a better world for our industry!



## Contact us

Tel: +86-755-8981 8866 Fax: +86-755-8427 6832

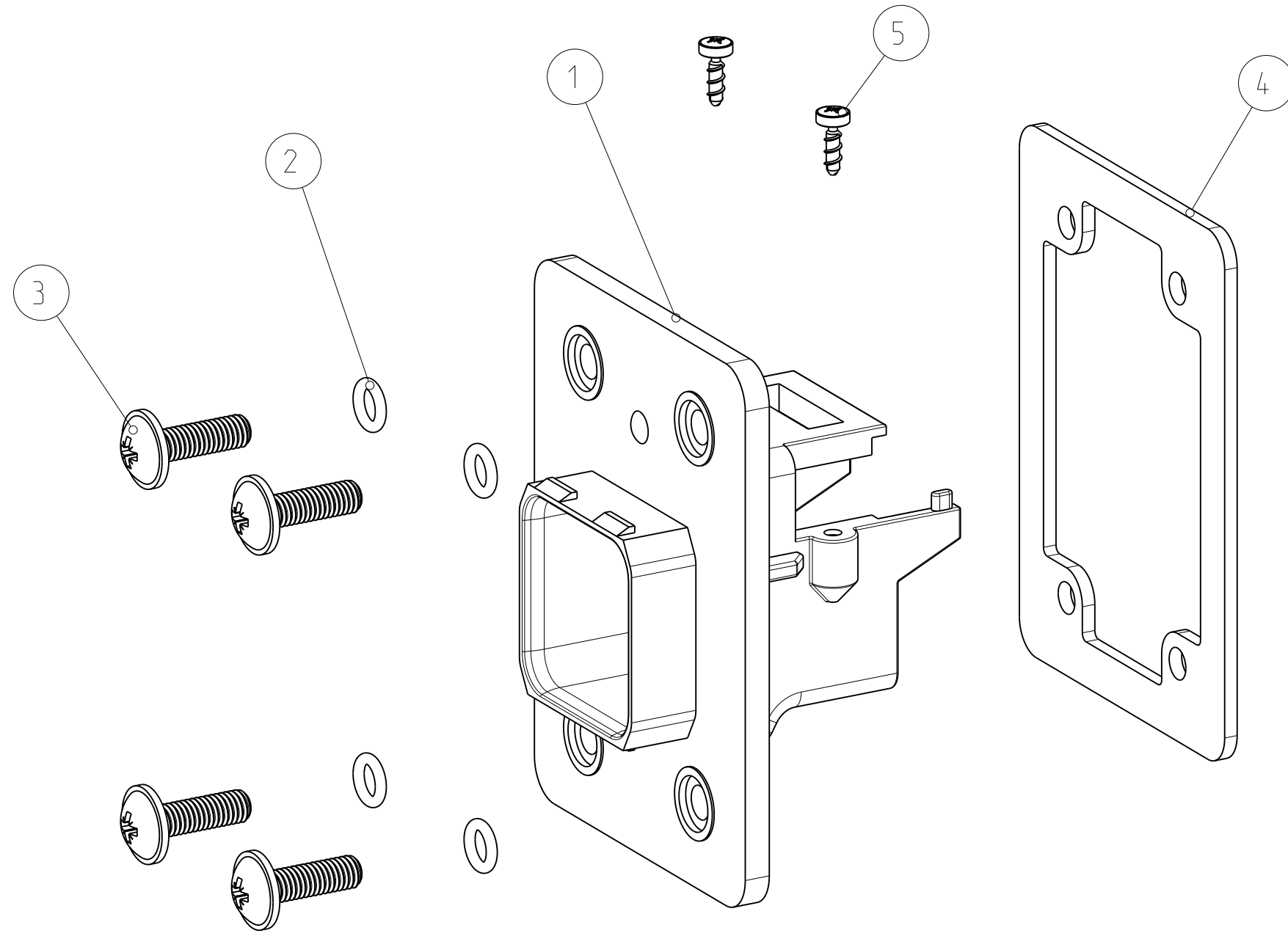
Email & Skype: info@chipsmall.com Web: www.chipsmall.com

Address: A1208, Overseas Decoration Building, #122 Zhenhua RD., Futian, Shenzhen, China



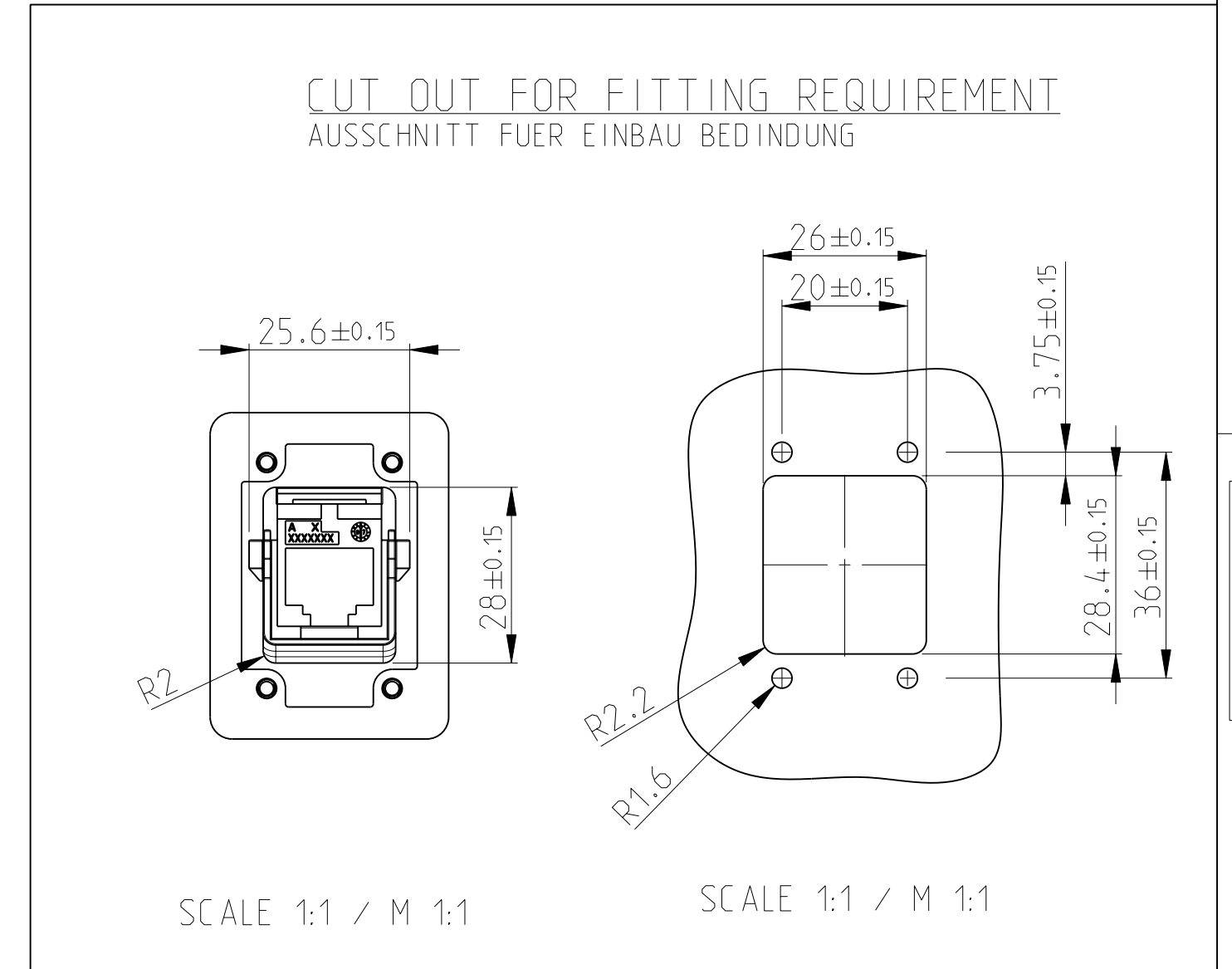
THIS DRAWING IS UNPUBLISHED. RELEASED FOR PUBLICATION 2008  
 © COPYRIGHT 2008 BY TYCO ELECTRONICS CORPORATION. ALL RIGHTS RESERVED.

LOC	DIST	REVISIONS			
P	LTR	DESCRIPTION	DATE	DWN	APVD
A1		NEW DRAWING PUBLISHED	04FEB2008	N.T.	R.K.
A2		ECR-08-030470	08DEC2008	N.T.	R.K.
A3		ECR-09-012142	28MAY2009	N.T.	T.K.



SINGLE PACKING: PLASTIC BAG (MINI GRIP) WITH MANUAL.  
 MULTI PACKING: 50 PIECE ITEM NO. 1 IN CORD TENSIONING BAG+  
 200 PIECE ITEM NO. 2 IN PLASTIC BAG (MINI GRIP) +  
 200 PIECE ITEM NO. 3 PLASTIC BAG (MINI GRIP) +  
 50 PIECE ITEM NO. 4 PLASTIC BAG (MINI GRIP) +  
 100 PIECE ITEM NO. 5 PLASTIC BAG (MINI GRIP) +  
 PACKED IN CORRUGATED SHIPPING BOX WITH MANUAL.

EINZELVERPACKUNG: KUNSTSTOFFBEUTEL (MINI GRIP) MIT ANLEITUNG.  
 MEHRFACHVERPACKUNG: 50 STUECK POS. 1 IN KORDELZUG BEUTEL +  
 200 STUECK POS. 2 IN KUNSTSTOFFBEUTEL (MINI GRIP) +  
 200 STUECK POS. 3 IN KUNSTSTOFFBEUTEL (MINI GRIP) +  
 50 STUECK POS. 4 IN KUNSTSTOFFBEUTEL (MINI GRIP) +  
 100 STUECK POS. 5 IN KUNSTSTOFFBEUTEL (MINI GRIP) +  
 VERPACKT IN VERSANDKARTON MIT ANLEITUNG.



-	-	1	1	-	MANUAL	6
-	-	100	2	-	TREAD ROLLING SCREW M1.6 x 6	5
-	-	50	1	-	FLAT GASKET FOR IP67 PUSH-PULL FRAME	4
-	-	200	4	-	ROUND HEAD SCREW Mx3	3
-	-	200	4	-	O-RING SEAL FOR IP67 PUSH-PULL FRAME	2
-	-	50	1	-	FRAME, PUSH-PULL, IP67	1
-	-	-2	-1	DWG. SIZE	PARTNUMBER	DESCRIPTION
-	-	-	-	←	REVISION OF EACH ASSY NO. (WHEN BLANK, USE DWG. REVISION)	
QTY REQD PER ASSY				PARTS LIST		

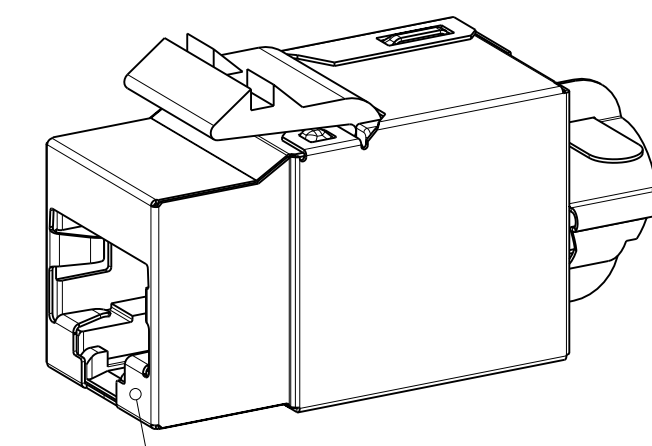
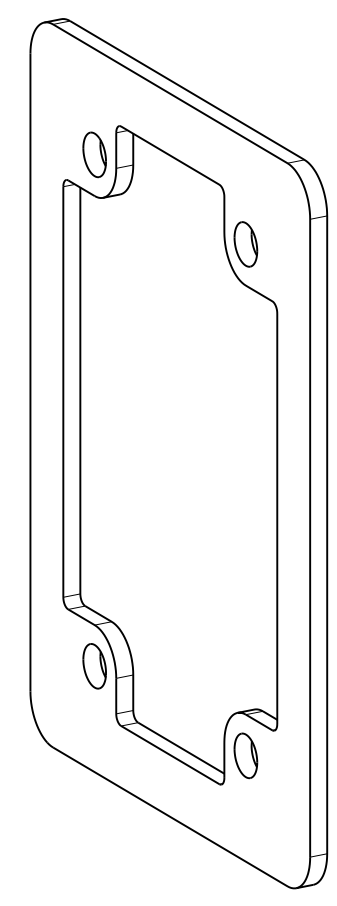
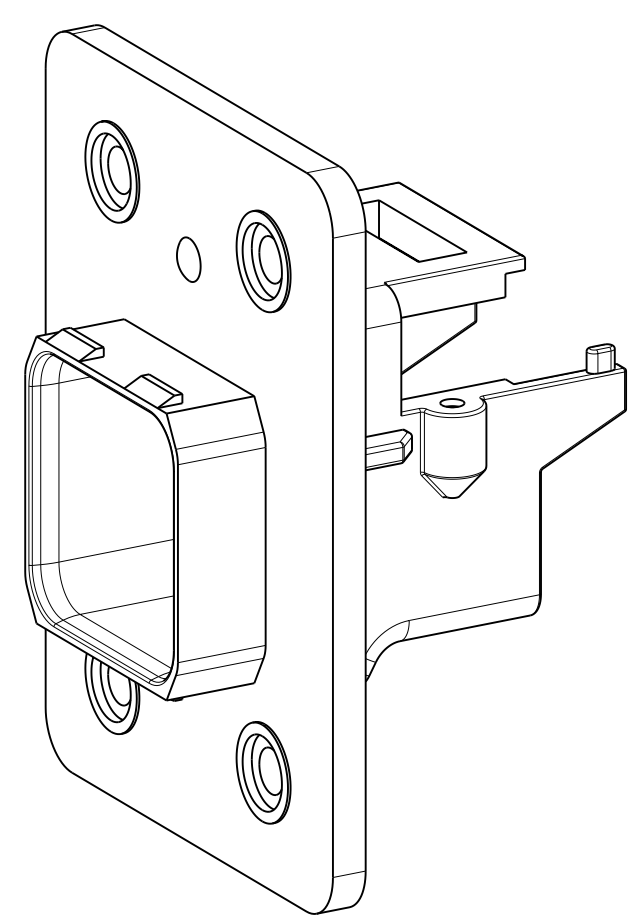
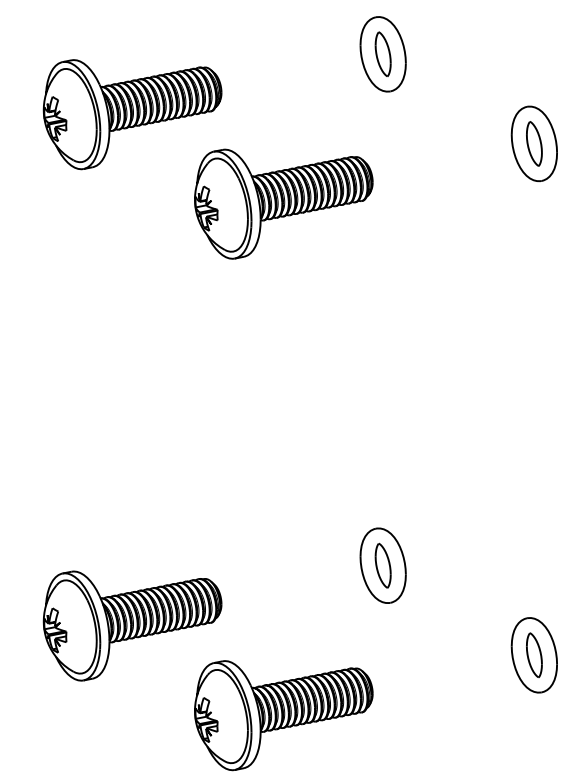
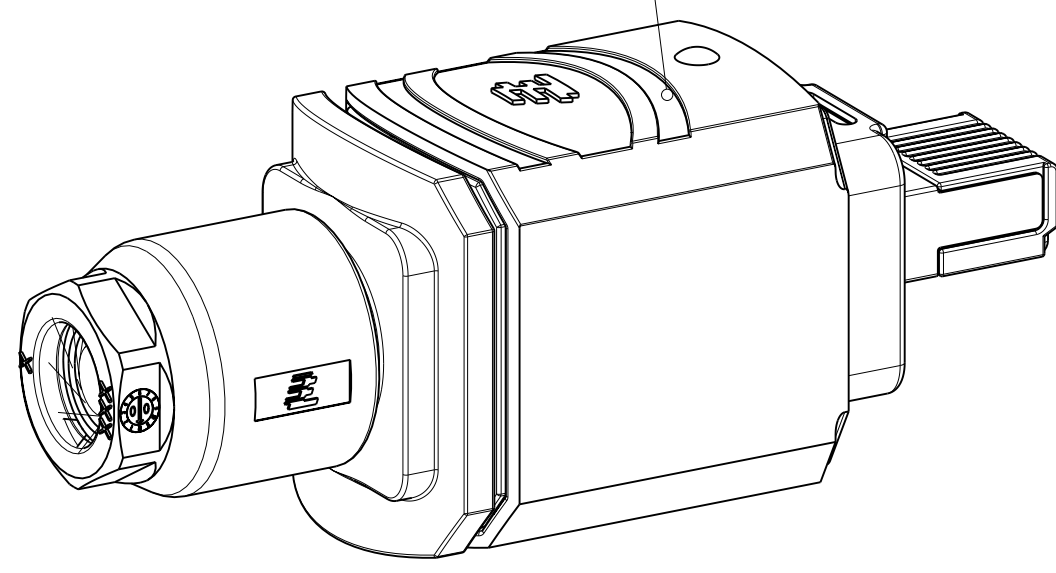
DIMENSIONS:		TOLERANCES UNLESS OTHERWISE SPECIFIED:		DWN		Tyco Electronics	
mm		0 PLC	±-	N.Thirunavukkarasu	08NOV2007	Tyco Electronics AMP GmbH 64625 Bensheim (Germany)	
		1 PLC	±-	W. BOECK	08NOV2007	NAME	
		2 PLC	±-	R. KRAEMER	08NOV2007	ASSY, IP65/67 PUSH-PULL FRAME	
		3 PLC	±-			ASSY, IP65/67 PUSH-PULL RAHMEN	
		4 PLC	±-			SIZE	CAGE CODE
		ANGLES	±1°			A2	00779
		FINISH				DRAWING NO	1987307
MATERIAL						RESTRICTED TO	
						SCALE	5:1
						SHEET	1 OF 2
						REV	A3

THIS DRAWING IS UNPUBLISHED. RELEASED FOR PUBLICATION 2008  
 © COPYRIGHT 2008 BY TYCO ELECTRONICS CORPORATION. ALL RIGHTS RESERVED.

# APPLICABLE VERSION ANWENDBARE VERSION

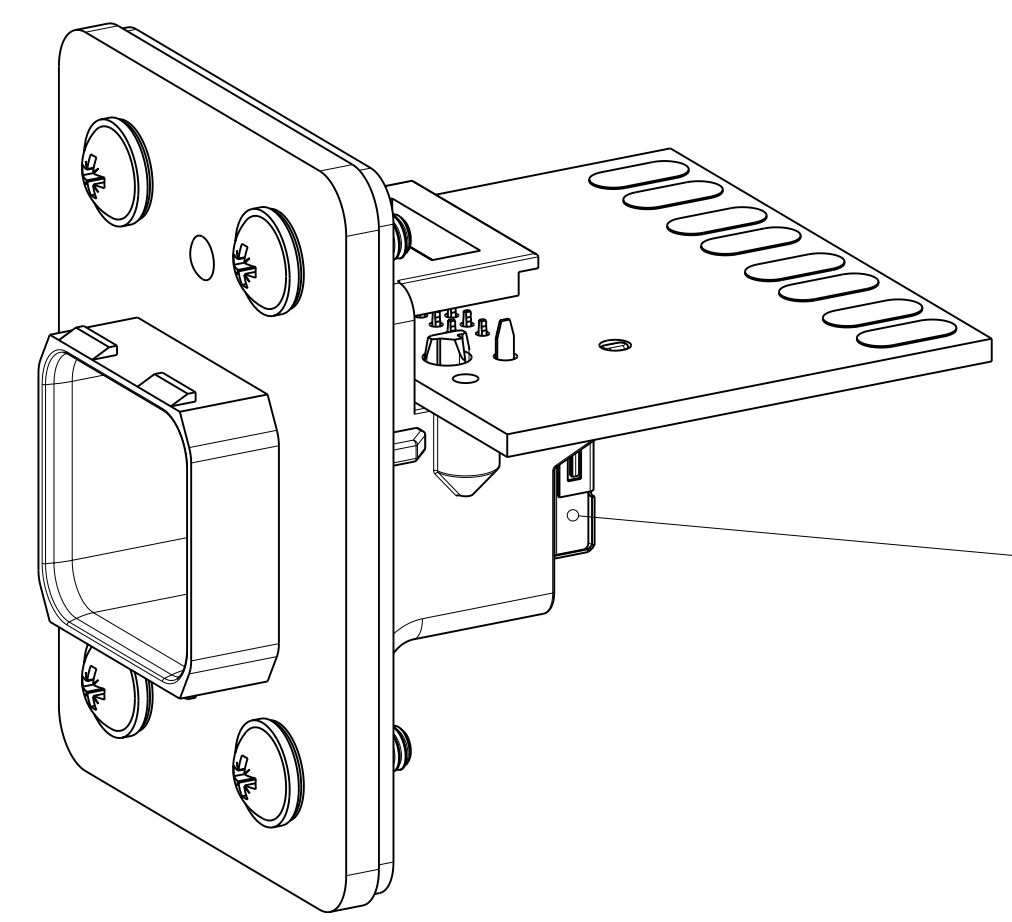
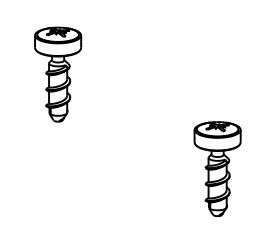
LOC	DIST	REVISIONS			
P	LTR	DESCRIPTION	DATE	DWN	APVD
A1	-	SEE SHEET 1	-	-	-

RJ45 PLUG, PUSH-PULL, ASSY  
 RJ45 STECKER, PUSH-PULL, ASSY  
 CAT5, SHIELDED  
 PN: 1987004-1/-2

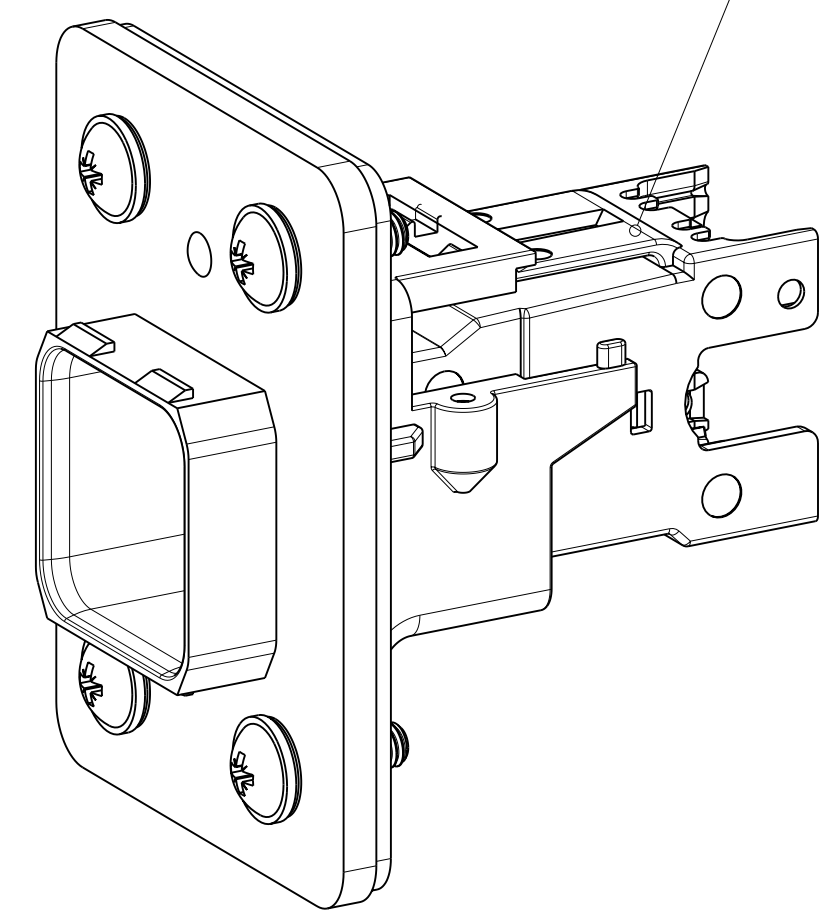


ASSEMBLY, SL 110 JACK, SHIELD, CATEGORY 5e  
 PN: 1375189-1

AMP-TW IST-6S SL JACK  
 PN1711342-1



INVERTED MOD JACK ASSY SHIELDED  
 PN: 406541-1



<small>THIS DRAWING IS A CONTROLLED DOCUMENT FOR TYCO ELECTRONICS CORPORATION          IT IS SUBJECT TO CHANGE AND THE CONTROLLING ENGINEERING ORGANIZATION          SHOULD BE CONTACTED FOR THE LATEST REVISION.</small>		DWN 08NOV2007 N.Thirunavukkarasu CHK 08NOV2007 W.BOECK APVD 08NOV2007 R.KRAEMER PRODUCT SPEC APPLICATION SPEC WEIGHT - CUSTOMER DRAWING	<b>Tyco Electronics</b> Tyco Electronics AMP GmbH 64625 Bensheim (Germany)	NAME ASSY, IP67 PUSH-PULL FRAME ASSY, IP67 PUSH-PULL RAHMEN	SIZE A2 CAGE CODE 00779 DRAWING NO. 1987307 RESTRICTED TO -
DIMENSIONS: mm 	TOLERANCES UNLESS OTHERWISE SPECIFIED: 0 PLC ±- 1 PLC ±- 2 PLC ±- 3 PLC ±- 4 PLC ±- ANGLES ±1° FINISH	SCALE 2:1 SHEET 2 OF 2 REV A2			