



Chipsmall Limited consists of a professional team with an average of over 10 year of expertise in the distribution of electronic components. Based in Hongkong, we have already established firm and mutual-benefit business relationships with customers from,Europe,America and south Asia,supplying obsolete and hard-to-find components to meet their specific needs.

With the principle of “Quality Parts,Customers Priority,Honest Operation,and Considerate Service”,our business mainly focus on the distribution of electronic components. Line cards we deal with include Microchip,ALPS,ROHM,Xilinx,Pulse,ON,Everlight and Freescale. Main products comprise IC,Modules,Potentiometer,IC Socket,Relay,Connector.Our parts cover such applications as commercial,industrial, and automotives areas.

We are looking forward to setting up business relationship with you and hope to provide you with the best service and solution. Let us make a better world for our industry!



Contact us

Tel: +86-755-8981 8866 Fax: +86-755-8427 6832

Email & Skype: info@chipsmall.com Web: www.chipsmall.com

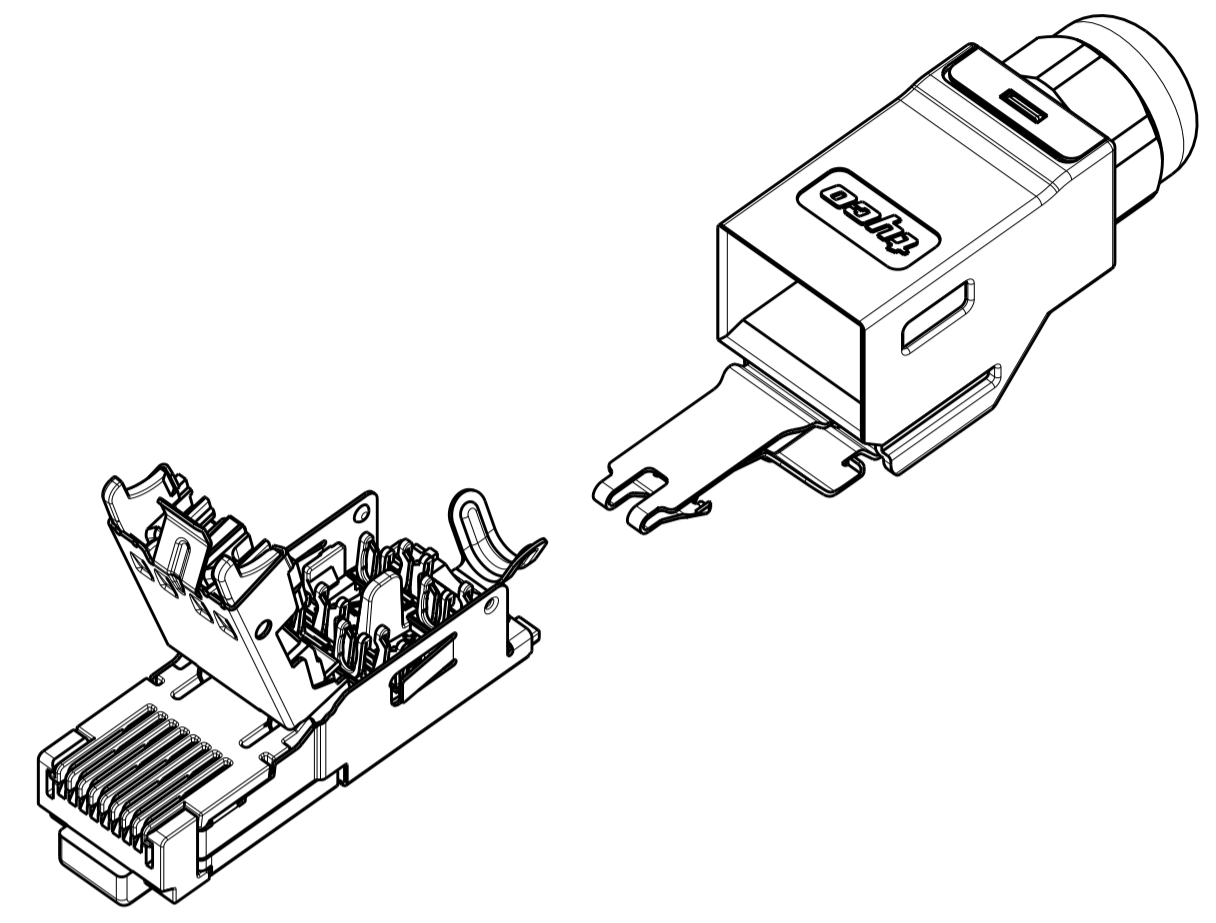
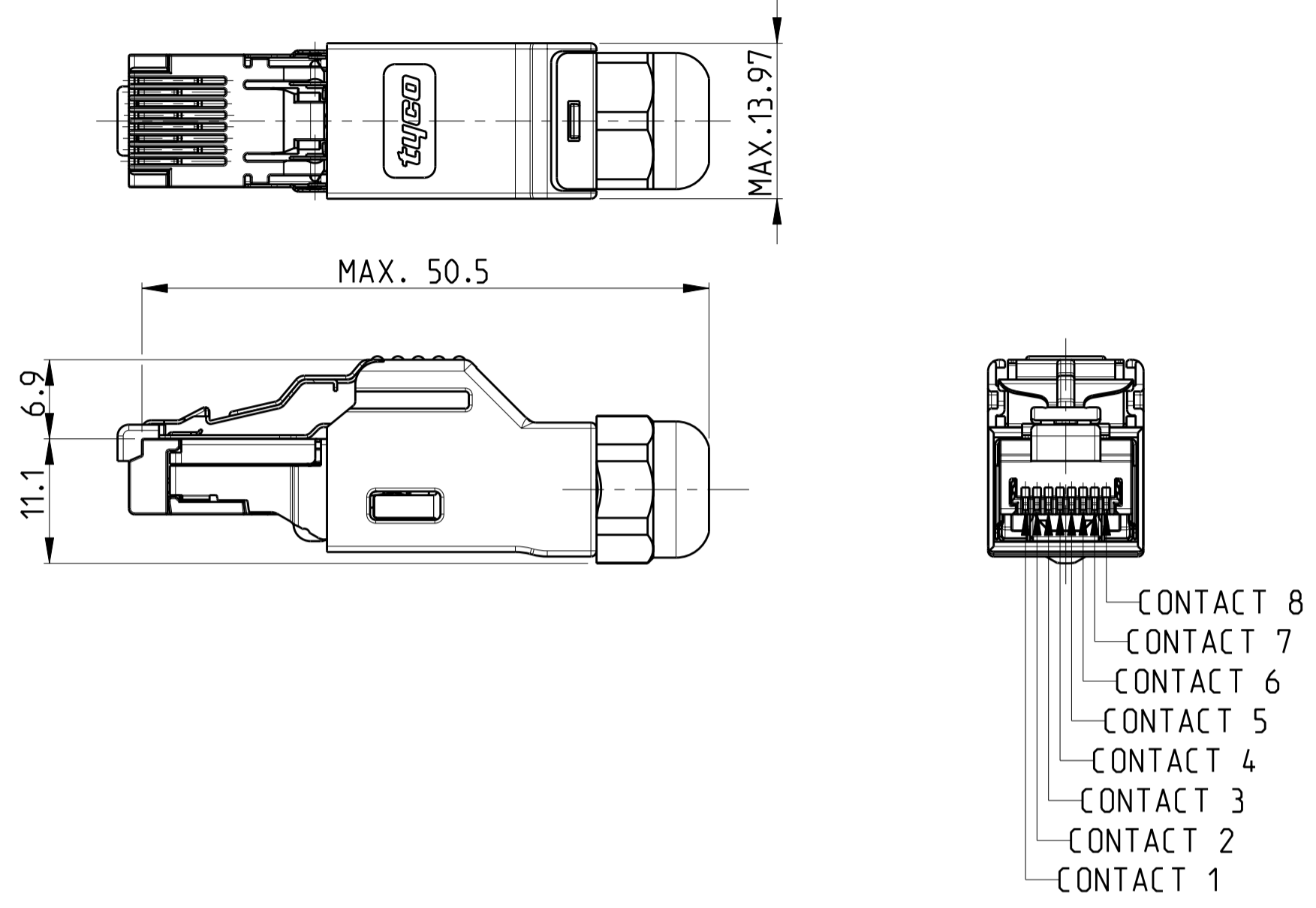
Address: A1208, Overseas Decoration Building, #122 Zhenhua RD., Futian, Shenzhen, China



THIS DRAWING IS UNPUBLISHED
 VERTRAULICHE UNVEROFFENTLICHTE ZEICHNUNG
 RELEASED FOR PUBLICATION
 FREI FUER VEROFFENTLICHUNG
 2008
 BY TYCO ELECTRONICS CORPORATION. ALL RIGHTS RESERVED.
 ALLE RECHTE VORBEHALTEN
 MATED WITH
 PASSEND ZU:

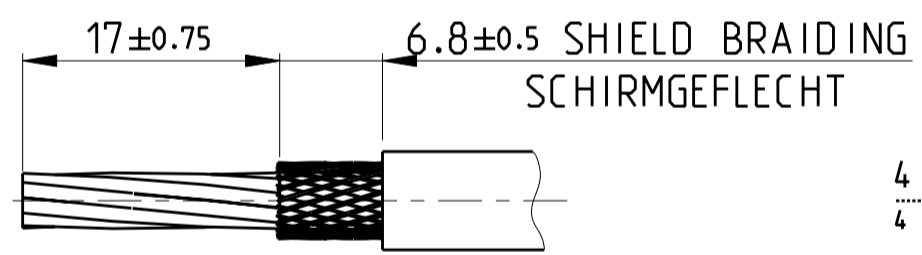
LOC	DIST	REVISIONS				
AI	-	P	LTR	DATE	DWN	APVD
PROJEKT NR.: EGGMN06046		C1	NEW DRAWING PUBLISHED	21OCT2008	ER	RK

MOUNTED STATE - FOR INFORMATION ONLY
 MONTIERTER ZUSTAND - NUR ZUR INFORMATION



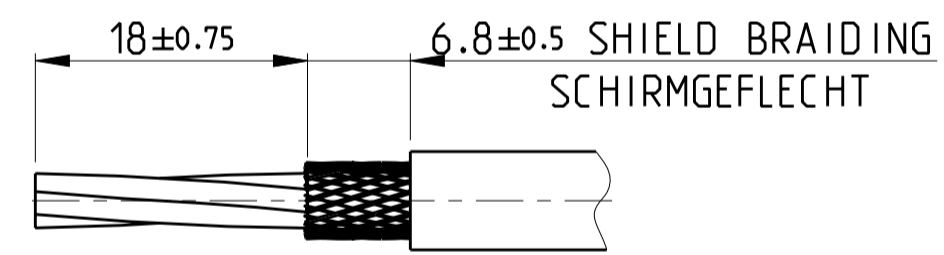
- 1 MATERIAL: CASE - POLYCARBONATE/STAINLESS STEEL
 PLUG HOUSING - NYLON/POLYCARBONATE
 CONTACT - COPPER ALLOY
 SHELL - COPPER ALLOY
- 2 FINISH: CONTACT - UNDERPLATED: Ni
 PLATE: Sn (IDC-CONTACT)
 PARTIAL PLATE: Au (TERMINAL CONTACT)
 SHELL - Sn
- 1 MATERIAL: GEHAUSE - POLYCARBONAT/NICHTROSTENDER STAHL
 STECKER GEHAUSE - NYLON/POLYCARBONAT
 KONTAKT - KUPFERLEGIERUNG
 DECKEL - KUPFERLEGIERUNG
- 2 OBERFLAECHE: KONTAKT - UNTERNICKELT
 METALLISIERUNG: Sn (SCHNEID-KLEMM-KONTAKT)
 PARTIELLE METALLISIERUNG: Au (ANSCHLUSSKONTAKT)
 SCHIRMBLECH - Sn

RECOMMENDED STRIPPING LENGTH
 EMPFOHLENE ABISOLIERLAENGE



8 POS. AWG25-26
 8 POL.

RECOMMENDED STRIPPING LENGTH
 EMPFOHLENE ABISOLIERLAENGE



4 POS. AWG22-24
 4 POL.

COLOR ALLOCATION OF TERMINAL WIRE
 TO RJ45 CONTACT 8 POS. TYPE:
 FARBUORDNUNG DES ANSCHLUSSDRAHTES
 ZUM RJ45-KONTAKT 8 POL. AUSFUEHRUNG:

CONTACT NO./NR.	WIRE COLOR DRAHTFARBE	
	568A	568B
1	WHITE/GREEN WEISS/GRUEN	WHITE/ORANGE WEISS/ORANGE
2	GREEN GRUEN	ORANGE ORANGE
3	WHITE/ORANGE WEISS/ORANGE	WHITE/GREEN WEISS/GRUEN
4	BLUE BLAU	BLUE BLAU
5	WHITE/BLUE WEISS/BLAU	WHITE/BLUE WEISS/BLAU
6	ORANGE ORANGE	GREEN GRUEN
7	WHITE/BROWN WEISS/BRAUN	WHITE/BROWN WEISS/BRAUN
8	BROWN BRAUN	BROWN BRAUN

COLOR ALLOCATION OF TERMINAL WIRE
 TO RJ45 CONTACT 4 POS. TYPE:
 FARBUORDNUNG DES ANSCHLUSSDRAHTES
 ZUM RJ45-KONTAKT 4 POL. AUSFUEHRUNG:

CONTACT NO./NR.	WIRE COLOR DRAHTFARBE
1	YELLOW GELB
2	ORANGE ORANGE
3	WHITE WEISS
6	BLUE BLAU

THIS DRAWING IS A CONTROLLED DOCUMENT FOR TYCO ELECTRONICS CORPORATION
 IT IS SUBJECT TO CHANGE AND THE CONTROLLING ENGINEERING ORGANIZATION
 SHOULD BE CONTACTED FOR THE LATEST REVISION.
 DIESES ZEICHNUNGSDOKUMENT IST EIN DURCH AMP INTEGRIERTES KONTROLLDOKUMENT.
 AENDERUNGEN, DIE DEN TECHNISCHEN STANDSTAND FOLGEN, SIND VORZUZIEHEN.
 DEN ZUWEISUNGSPERSONEN ANZUEIGEN UND ERWAENDEN SIE AMP ANFANG.

DIMENSIONS: MASSE/MAEßEN: mm

TOLERANCES UNLESS OTHERWISE SPECIFIED: ALLGEMEINTOLERANZEN

0 PLC	±0.3
1 PLC	±0.3
2 PLC	±0.3
3 PLC	±0.3
4 PLC	±
ANGLES/WINKEL	±3°
FINISH/OBERFLAECHE/FARBE	

MATERIAL: -

DWN: E. REISS 21OCT2008
 CHK: W. BOECK 21OCT2008
 APVD: R. KRAEMER 21OCT2008

PRODUCT SPEC: -
 APPLICATION SPEC: -
 VERARBEITUNGSSPEZ.: -
 WEIGHT: -
 GEWICHT: -

CUSTOMER DRAWING /KUNDENZEICHNUNG

1987328-1	TYCO ELECTRONICS ORDER NO. BESTELL-NR.
- - - 1	RJ45 COMMON CORE, 4x2 POS. RJ45 GEMEINSAMER KERN, 4x2 POL.
QUANTITY STUECK	DESCRIPTION BENENNUNG

Tyco Electronics AMP GmbH 64625 Bensheim (Germany)		NAME: RJ45 CONNECTOR INDUSTRIAL ETHERNET IP20 8 POS. (4x2) 180 DEG.	
SIZE: A2	CAGE CODE: 00779	DRAWING NO. ZEICHNUNGS-NR.: 1987328	RESTRICTED TO NUR FUER: -
SCALE: MASSSTAB 2:1		SHEET: BLATT 1 OF 1	REV: C1