



Chipsmall Limited consists of a professional team with an average of over 10 year of expertise in the distribution of electronic components. Based in Hongkong, we have already established firm and mutual-benefit business relationships with customers from,Europe,America and south Asia,supplying obsolete and hard-to-find components to meet their specific needs.

With the principle of “Quality Parts,Customers Priority,Honest Operation,and Considerate Service”,our business mainly focus on the distribution of electronic components. Line cards we deal with include Microchip,ALPS,ROHM,Xilinx,Pulse,ON,Everlight and Freescale. Main products comprise IC,Modules,Potentiometer,IC Socket,Relay,Connector.Our parts cover such applications as commercial,industrial, and automotives areas.

We are looking forward to setting up business relationship with you and hope to provide you with the best service and solution. Let us make a better world for our industry!



Contact us

Tel: +86-755-8981 8866 Fax: +86-755-8427 6832

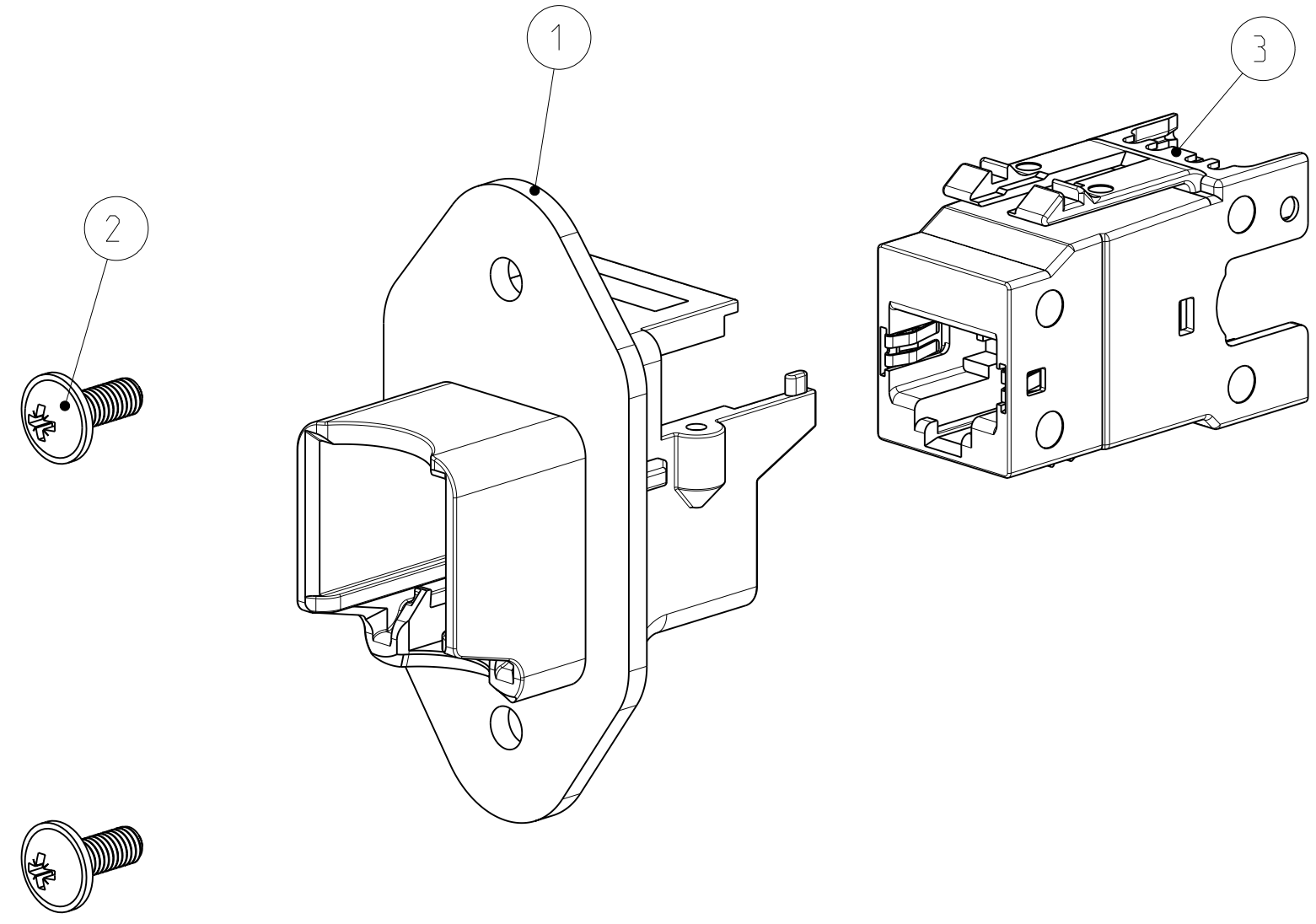
Email & Skype: info@chipsmall.com Web: www.chipsmall.com

Address: A1208, Overseas Decoration Building, #122 Zhenhua RD., Futian, Shenzhen, China



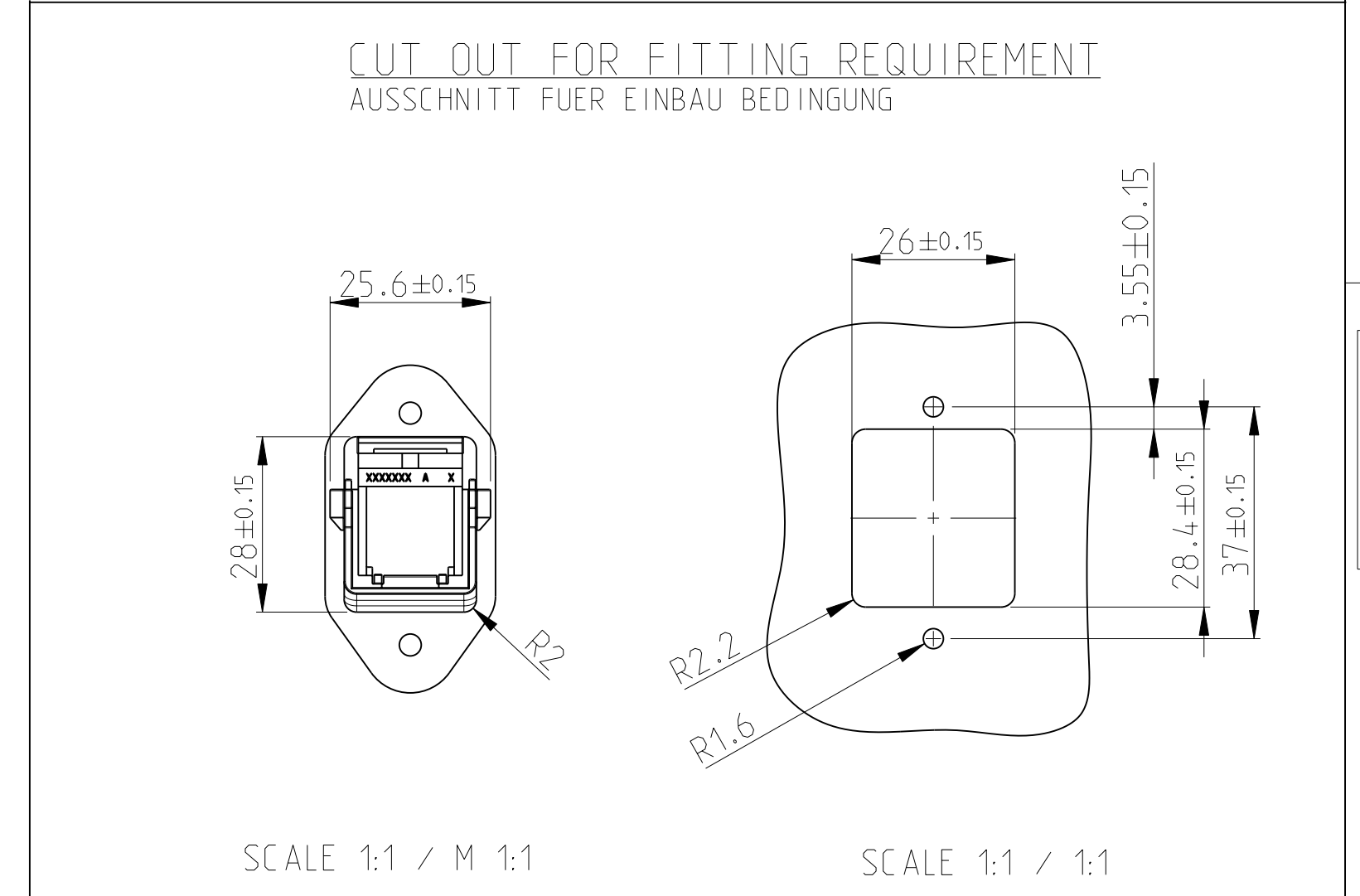
THIS DRAWING IS UNPUBLISHED. RELEASED FOR PUBLICATION 2008
 © COPYRIGHT 2008 BY TYCO ELECTRONICS CORPORATION. ALL RIGHTS RESERVED.

LOC	DIST	REVISIONS			
P	LTR	DESCRIPTION	DATE	DWN	APVD
A1		NEW DRAWING PUBLISHED	04FEB2008	N.T.	R.K.
A2		ECR-08-030470	08DEC2008	N.T.	R.K.
A3		ECR-09-012142	28MAY2009	N.T.	T.K.



SINGLE PACKING: PLASTIC BAG (MINI GRIP) WITH MANUAL.
 MULTI PACKING: 50 PIECE ITEM NO. 1 IN CORD TENSIONING BAG+
 100 PIECE ITEM NO. 2 IN PLASTIC BAG (MINI GRIP) +
 50 PIECE ITEM NO. 3 FOLDING BOX +
 PACKED IN CORRUGATED SHIPPING BOX WITH MANUAL.

EINZELVERPACKUNG: KUNSTSTOFFBEUTEL (MINI GRIP) MIT ANLEITUNG.
 MEHRFACHVERPACKUNG: 50 STUECK POS. 1 IN KORDELZUG BEUTEL +
 100 STUECK POS. 2 IN KUNSTSTOFFBEUTEL (MINI GRIP) +
 50 STUECK POS. 3 IN FALTSCHACHTEL +
 VERPACKT IN VERSANDKARTON MIT ANLEITUNG.



-	-	1	1	-	-	MANUAL	4
-	-	50	1	-	-	AMP SL-TWIST-6S SL JACK	3
-	-	100	2	-	-	ROUND HEAD SCREW M3 x 8	2
-	-	50	1	-	-	FRAME, RJ45 CONNECTOR IP20	1
-	-	-2	-1	DWG. SIZE	PARTNUMBER	DESCRIPTION	ITEM NO
-	-	-	-	←	REVISION OF EACH ASSY NO. (WHEN BLANK, USE DWG. REVISION)		
QTY REQD PER ASSY				PARTS LIST			

<small>THIS DRAWING IS A CONTROLLED DOCUMENT FOR TYCO ELECTRONICS CORPORATION IT IS SUBJECT TO CHANGE AND THE CONTROLLING ENGINEERING ORGANIZATION SHOULD BE CONTACTED FOR THE LATEST REVISION.</small>		DWN 24NOV2008 N.Thirunavukkarasu CHK 24NOV2008 W. BOECK APVD 24NOV2008 R. KRAEMER PRODUCT SPEC APPLICATION SPEC WEIGHT - CUSTOMER DRAWING	Tyco Electronics Tyco Electronics AMP GmbH 64625 Bensheim (Germany)
DIMENSIONS: mm 	TOLERANCES UNLESS OTHERWISE SPECIFIED: 0 PLC ±- 1 PLC ±- 2 PLC ±- 3 PLC ±- 4 PLC ±- ANGLES ±1° FINISH	NAME ASSY, FRAME, RJ45 CONNECTOR IP20, CAT6 ASSY, RAHMEN RJ45 CONNECTOR IP20, CAT6 SIZE A2 CAGE CODE 00779 DRAWING NO 1987671 RESTRICTED TO -	SCALE 2:1 SHEET 1 OF 1 REV A3