



Chipsmall Limited consists of a professional team with an average of over 10 year of expertise in the distribution of electronic components. Based in Hongkong, we have already established firm and mutual-benefit business relationships with customers from,Europe,America and south Asia,supplying obsolete and hard-to-find components to meet their specific needs.

With the principle of "Quality Parts,Customers Priority,Honest Operation,and Considerate Service",our business mainly focus on the distribution of electronic components. Line cards we deal with include Microchip,ALPS,ROHM,Xilinx,Pulse,ON,Everlight and Freescale. Main products comprise IC,Modules,Potentiometer,IC Socket,Relay,Connector.Our parts cover such applications as commercial,industrial, and automotives areas.

We are looking forward to setting up business relationship with you and hope to provide you with the best service and solution. Let us make a better world for our industry!



## Contact us

Tel: +86-755-8981 8866 Fax: +86-755-8427 6832

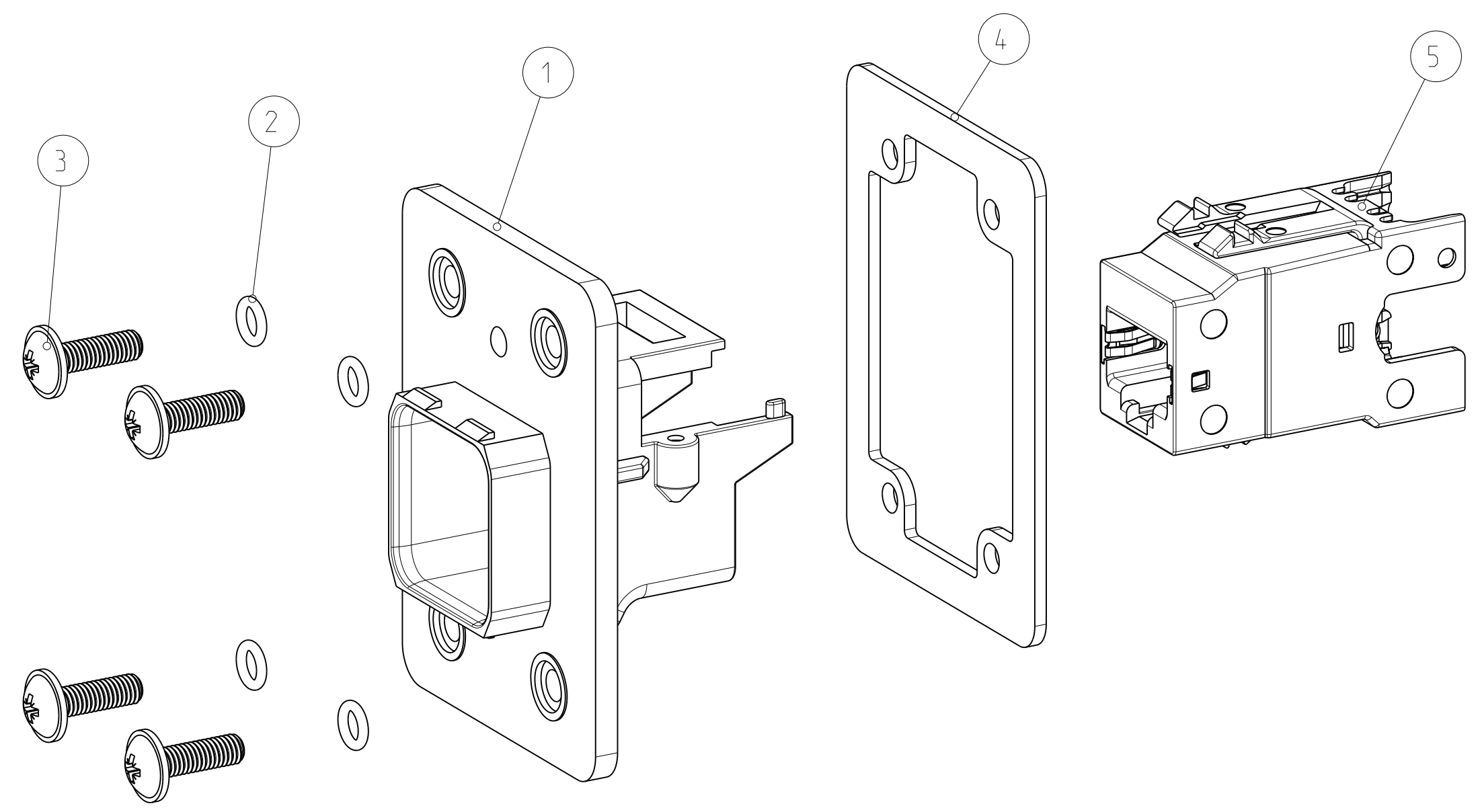
Email & Skype: info@chipsmall.com Web: www.chipsmall.com

Address: A1208, Overseas Decoration Building, #122 Zhenhua RD., Futian, Shenzhen, China



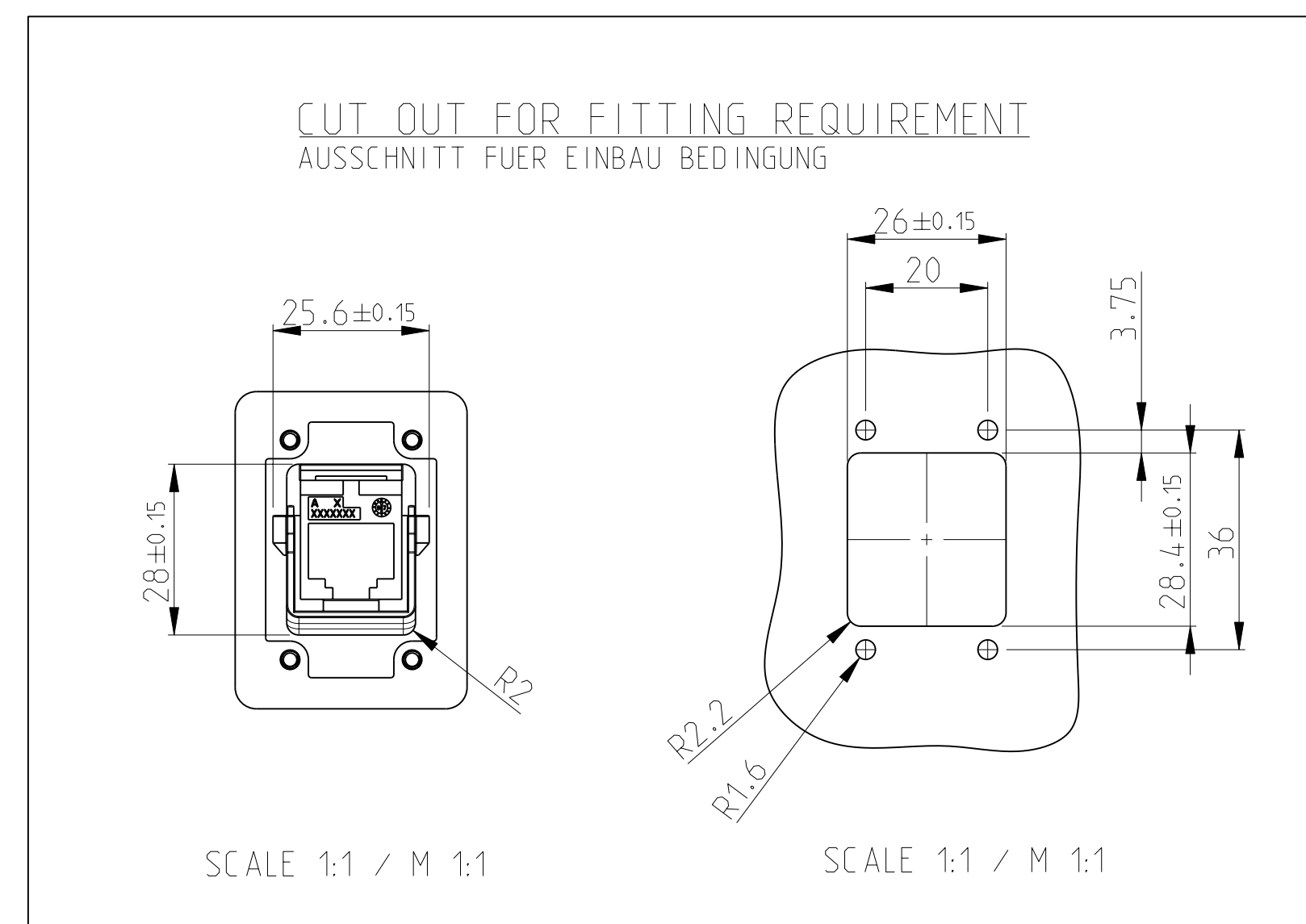
THIS DRAWING IS UNPUBLISHED. RELEASED FOR PUBLICATION 2008  
 © COPYRIGHT 2008 BY TYCO ELECTRONICS CORPORATION. ALL RIGHTS RESERVED.

LOC	DIST	REVISIONS			
P	LTR	DESCRIPTION	DATE	DWN	APVD
A1		NEW DRAWING PUBLISHED	21NOV2008	N.T	R.K.
A2		ECR-08-030470	08DEC2008	N.T.	R.K.
A3		ECR-09-012142	26MAY2009	N.T.	T.K.



SINGLE PACKING: PLASTIC BAG (MINI GRIP) WITH MANUAL.  
 MULTI PACKING: 50 PIECE ITEM NO. 1 IN CORD TENSIONING BAG+  
 200 PIECE ITEM NO. 2 IN PLASTIC BAG (MINI GRIP) +  
 200 PIECE ITEM NO. 3 PLASTIC BAG (MINI GRIP) +  
 50 PIECE ITEM NO. 4 PLASTIC BAG (MINI GRIP) +  
 50 PIECE ITEM NO. 5 FOLDING BOX +  
 PACKED IN CORRUGATED SHIPPING BOX WITH MANUAL.

EINZELVERPACKUNG: KUNSTSTOFFBEUTEL (MINI GRIP) MIT ANLEITUNG.  
 MEHRFACHVERPACKUNG: 50 STUECK POS. 1 IN KORDELZUG BEUTEL +  
 200 STUECK POS. 2 IN KUNSTSTOFFBEUTEL (MINI GRIP) +  
 200 STUECK POS. 3 IN KUNSTSTOFFBEUTEL (MINI GRIP) +  
 50 STUECK POS. 4 IN KUNSTSTOFFBEUTEL (MINI GRIP) +  
 50 STUECK POS. 5 IN FALTSCHACHEL +  
 VERPACKT IN VERSANDKARTON MIT ANLEITUNG.



-	-	1	1	-	-	MANUAL	6
-	-	50	1	-	-	AMP-TWIST-6S SL JACK	5
-	-	50	1	-	-	FLAT GASKET FOR IP67 PUSH-PULL FRAME	4
-	-	200	4	-	-	ROUND HEAD SCREW Mx3	3
-	-	200	4	-	-	O-RING SEAL FOR IP67 PUSH-PULL FRAME	2
-	-	50	1	-	-	FRAME, PUSH-PULL, IP67	1
-	-	-2	-1	DWG. SIZE	PARTNUMBER	DESCRIPTION	ITEM NO
-	-	-	-	←	REVISION OF EACH ASSY NO. (WHEN BLANK, USE DWG. REVISION)		
QTY REQD PER ASSY				PARTS LIST			

THIS DRAWING IS A CONTROLLED DOCUMENT FOR TYCO ELECTRONICS CORPORATION. IT IS SUBJECT TO CHANGE AND THE CONTROLLING ENGINEERING ORGANIZATION SHOULD BE CONTACTED FOR THE LATEST REVISION.		DWN N.Thirunavukkarasu 21NOV2008	Tyco Electronics Tyco Electronics AMP GmbH 64625 Bensheim (Germany)	
DIMENSIONS: mm		CHK W.BOECK 21NOV2008	NAME ASSY, IP65/67 CAT6 PUSH-PULL FRAME ASSY, IP65/67 CAT6 PUSH-PULL RAHMEN	
TOLERANCES UNLESS OTHERWISE SPECIFIED: 0 PLC ±- 1 PLC ±- 2 PLC ±- 3 PLC ±- 4 PLC ±- ANGLES ±1° FINISH		APVD R.KRAEMER 21NOV2008	RESTRICTED TO	
MATERIAL		PRODUCT SPEC 108-94207	SIZE A2	CAGE CODE 00779
		APPLICATION SPEC	DRAWING NO 1987673	SCALE 2:1
		WEIGHT	SHEET 1 OF 1	
		CUSTOMER DRAWING	REV A3	