



Chipsmall Limited consists of a professional team with an average of over 10 year of expertise in the distribution of electronic components. Based in Hongkong, we have already established firm and mutual-benefit business relationships with customers from,Europe,America and south Asia,supplying obsolete and hard-to-find components to meet their specific needs.

With the principle of "Quality Parts,Customers Priority,Honest Operation,and Considerate Service",our business mainly focus on the distribution of electronic components. Line cards we deal with include Microchip,ALPS,ROHM,Xilinx,Pulse,ON,Everlight and Freescale. Main products comprise IC,Modules,Potentiometer,IC Socket,Relay,Connector.Our parts cover such applications as commercial,industrial, and automotives areas.

We are looking forward to setting up business relationship with you and hope to provide you with the best service and solution. Let us make a better world for our industry!



Contact us

Tel: +86-755-8981 8866 Fax: +86-755-8427 6832

Email & Skype: info@chipsmall.com Web: www.chipsmall.com


Address: A1208, Overseas Decoration Building, #122 Zhenhua RD., Futian, Shenzhen, China



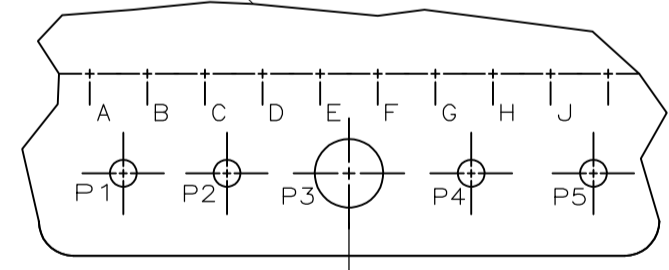
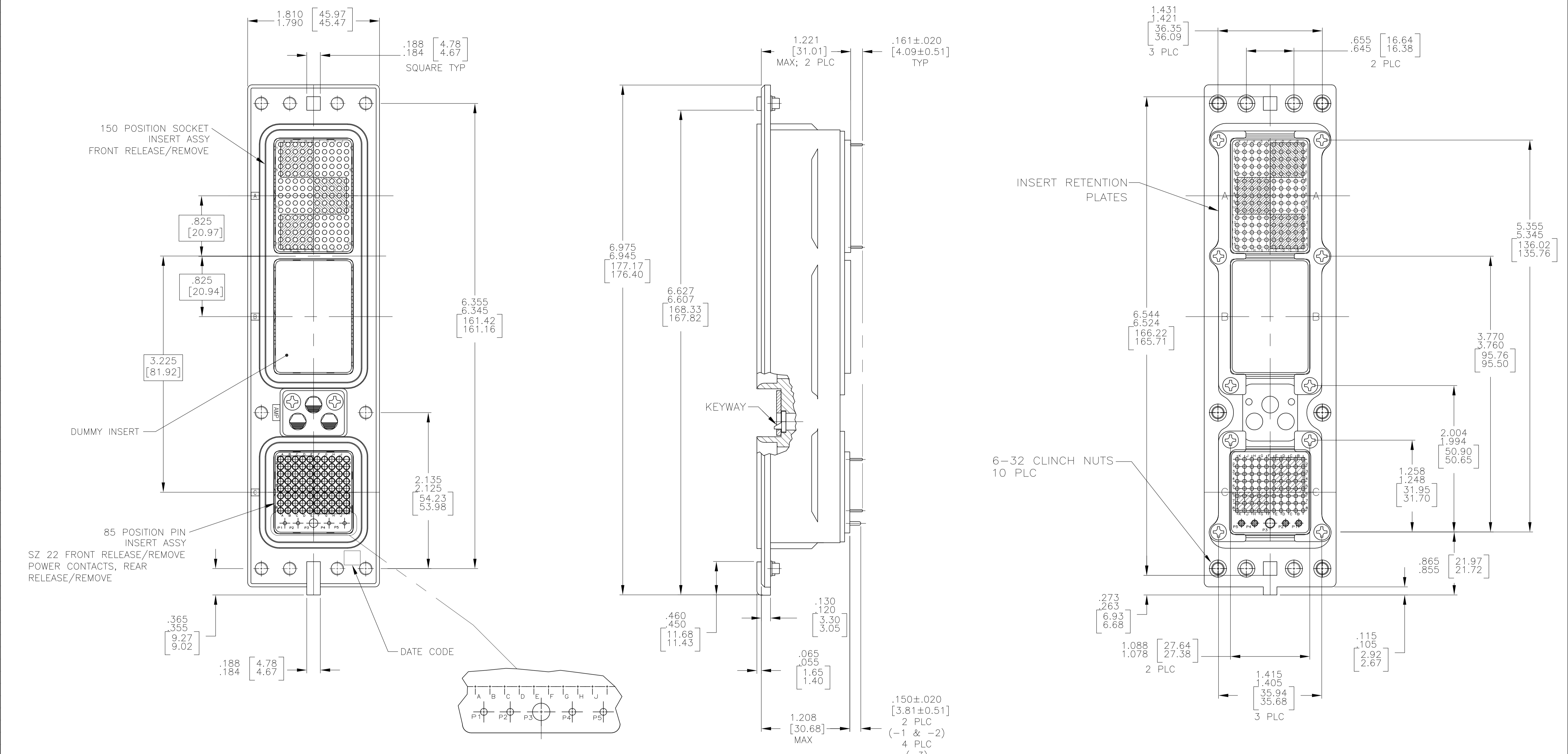
- CONNECTOR DIMENSIONS ARE PER ARINC 600 SPECIFICATION.
- CONNECTOR IS SUPPLIED WITH CONTACTS AS LISTED IN TABLE.
- KEYING SHOWN IN POSITION "01" FOR ILLUSTRATION ONLY. CONNECTORS SHIPPED WITH KEYING INSTALLED IN POSITION PER TABLE. FOR POSITION "00" KEYING HARDWARE SHIPPED UNASSEMBLED.
- DUST COVER INSTALLED FOR SHIPPING (NOT SHOWN).

COMPONENT	MATERIAL	FINISH
SHELL	DIE CAST ALUMINUM PER ASTM-B-85	ELECTROLESS NICKEL PER MIL-C-26074
INSERT RETENTION PLATES	ALUMINUM ALLOY PER ASTM-B-209	ELECTROLESS NICKEL PER MIL-C-26074
FLAT HEAD SCREWS	STAINLESS STEEL	PASSIVATED
POLARIZING KEYS	ZINC ALLOY PER ASTM-B-86	-
150 & 85 INSERTS	THERMOSET OR THERMOPLASTIC PPS PER MIL-M-24519	-
POLARIZING KEY RETAINING PLATE	ALUMINUM ALLOY PER ASTM-B-209	BLUE ANODIZED PER MIL-A-8625
DUMMY INSERT	ALUMINUM ALLOY PER ASTM-B-85	ELECTROLESS NICKEL PER MIL-C-26074

KEYING POSITION	CONTACTS INCLUDED	PART NUMBER
177	MODULE A 211431-2 (SIZE 22 POSTED; QTY=150) MODULE B (NONE) MODULE C 211431-2 (SIZE 22 POSTED; QTY=80) 208265-3 (SIZE 20 CRIMP; QTY=3) P4 & P5 (NOT INSTALLED) 208268-3 (SIZE 16 CRIMP; QTY=1) P3 (NOT INSTALLED)	1996164-3
91	MODULE A 211431-2 (SIZE 22 POSTED; QTY=150) MODULE B (NONE) MODULE C 211431-2 (SIZE 22 POSTED; QTY=80) 1663533-5 (SIZE 20 POSTED; QTY=2) P4, P5 208268-3 (SIZE 16 CRIMP; QTY=1) P3 (NOT INSTALLED) 208265-3 (SIZE 20 CRIMP; QTY=2) P1, P2 (NOT INSTALLED)	1996164-2
99	MODULE A 211431-2 (SIZE 22 POSTED; QTY=150) MODULE B (NONE) MODULE C 211431-2 (SIZE 22 POSTED; QTY=80) 1663533-5 (SIZE 20 POSTED; QTY=2) P4, P5 208268-3 (SIZE 16 CRIMP; QTY=1) P3 (NOT INSTALLED) 208265-3 (SIZE 20 CRIMP; QTY=2) P1, P2 (NOT INSTALLED)	1996164-1

THIS DRAWING IS A CONTROLLED DOCUMENT.		DIN P YEAGER 19JUL07	 TE Connectivity
DIMENSIONS: INCHES		CHK K THACKSTON 19JUL07	
TOLERANCES UNLESS OTHERWISE SPECIFIED:		APVD K THACKSTON 19JUL07	NAME RCPT ASSY, SIZE 2, ARINC 600 (150/DUMMY/85)
0 PLC ± -		PRODUCT SPEC	APPLICATION SPEC
1 PLC ± -		SIZE	CAGE CODE DRAWING NO
2 PLC ± -		RESTRICTED TO	
3 PLC ± -		WEIGHT	A1 00779 1996164
4 PLC ± -		CUSTOMER DRAWING	SCALE 3:2 SHEET 1 OF 2 REV
ANGLES ± -			
MATERIAL SEE TABLE			
FINISH SEE TABLE			

LOC		DIST		REVISIONS			
P	LTR	DESCRIPTION	DATE	DNW	APVD		
-	-	SEE SHEET 1	-	-	-	-	-



SEE TABLE FOR DESCRIPTION OF COMPONENTS FOR P1 THRU P5

THIS DRAWING IS A CONTROLLED DOCUMENT.		DIN P YEAGER 19JUL07	TE Connectivity
DIMENSIONS: INCHES		CHK K THACKSTON 19JUL07	
TOLERANCES UNLESS OTHERWISE SPECIFIED:		APVD K THACKSTON 19JUL07	NAME RCPT ASSY, SIZE 2, ARINC 600 (150/DUMMY/85)
0 PLC ± -	1 PLC ± -	PRODUCT SPEC	SIZE A1
2 PLC ± -	3 PLC ± -	APPLICATION SPEC	CAGE CODE 00779
4 PLC ± -	ANGLES ± -	WEIGHT	DRAWING NO. 1996164
MATERIAL SEE TABLE	FINISH SEE TABLE	CUSTOMER DRAWING	SCALE 3:2 SHEET 2 OF 2 REV L