



Chipsmall Limited consists of a professional team with an average of over 10 year of expertise in the distribution of electronic components. Based in Hongkong, we have already established firm and mutual-benefit business relationships with customers from,Europe,America and south Asia,supplying obsolete and hard-to-find components to meet their specific needs.

With the principle of “Quality Parts,Customers Priority,Honest Operation,and Considerate Service”,our business mainly focus on the distribution of electronic components. Line cards we deal with include Microchip,ALPS,ROHM,Xilinx,Pulse,ON,Everlight and Freescale. Main products comprise IC,Modules,Potentiometer,IC Socket,Relay,Connector.Our parts cover such applications as commercial,industrial, and automotives areas.

We are looking forward to setting up business relationship with you and hope to provide you with the best service and solution. Let us make a better world for our industry!



Contact us

Tel: +86-755-8981 8866 Fax: +86-755-8427 6832

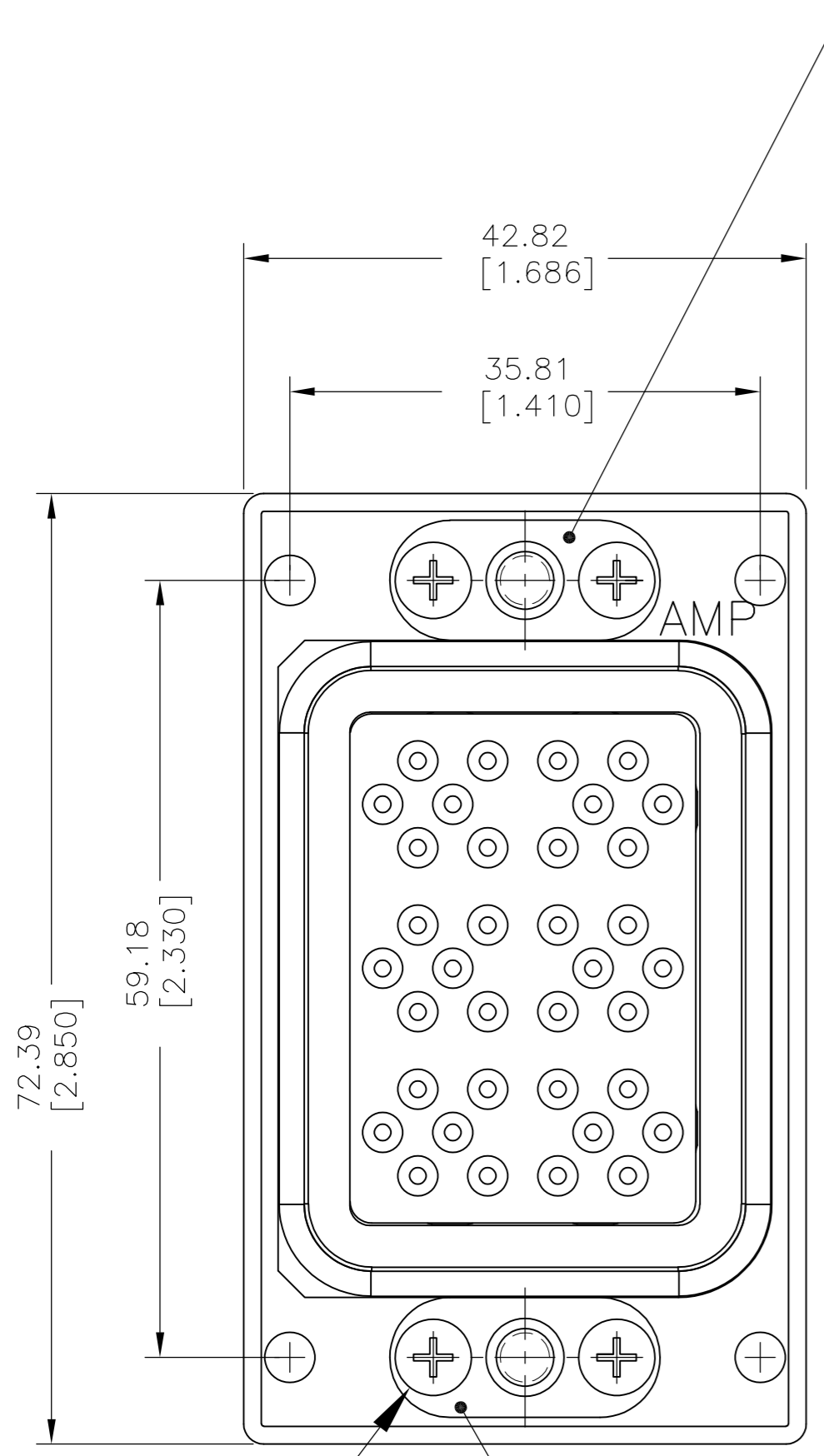
Email & Skype: info@chipsmall.com Web: www.chipsmall.com

Address: A1208, Overseas Decoration Building, #122 Zhenhua RD., Futian, Shenzhen, China

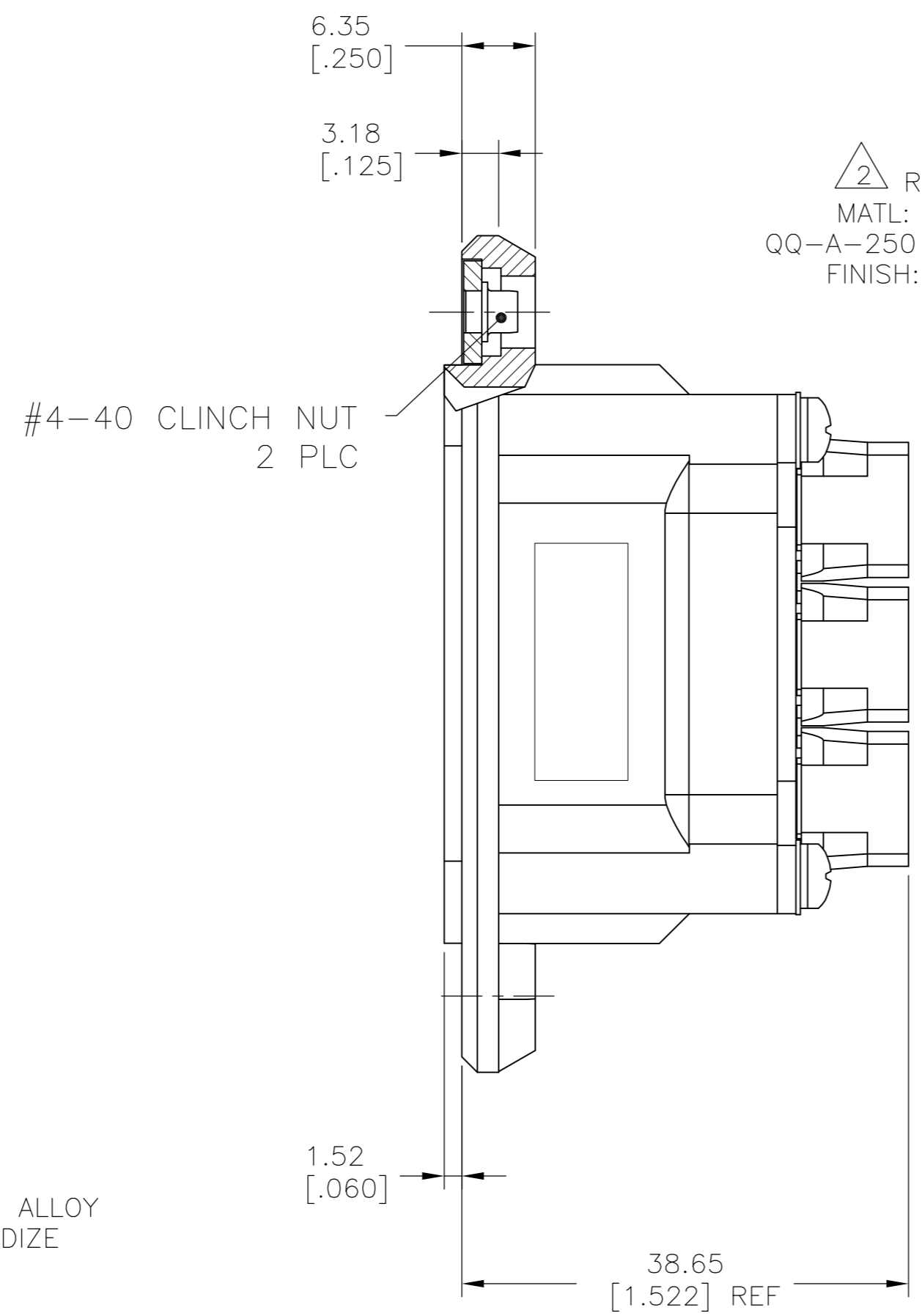


THIS DRAWING IS UNPUBLISHED. RELEASED FOR PUBLICATION
 © COPYRIGHT BY TYCO ELECTRONICS CORPORATION. ALL INTERNATIONAL RIGHTS RESERVED.

LOC		DIST		REVISIONS			
P	LTR	DESCRIPTION		DATE	DWN	APVD	
DF	XO	G		REV PER ECO 08-026967	11NOV08	CT	KT



RETAINING PLATE
 MAT'L: ALUMINUM ALLOY
 FINISH: BLUE ANODIZE



#4-40 CLINCH NUT
 2 PLC

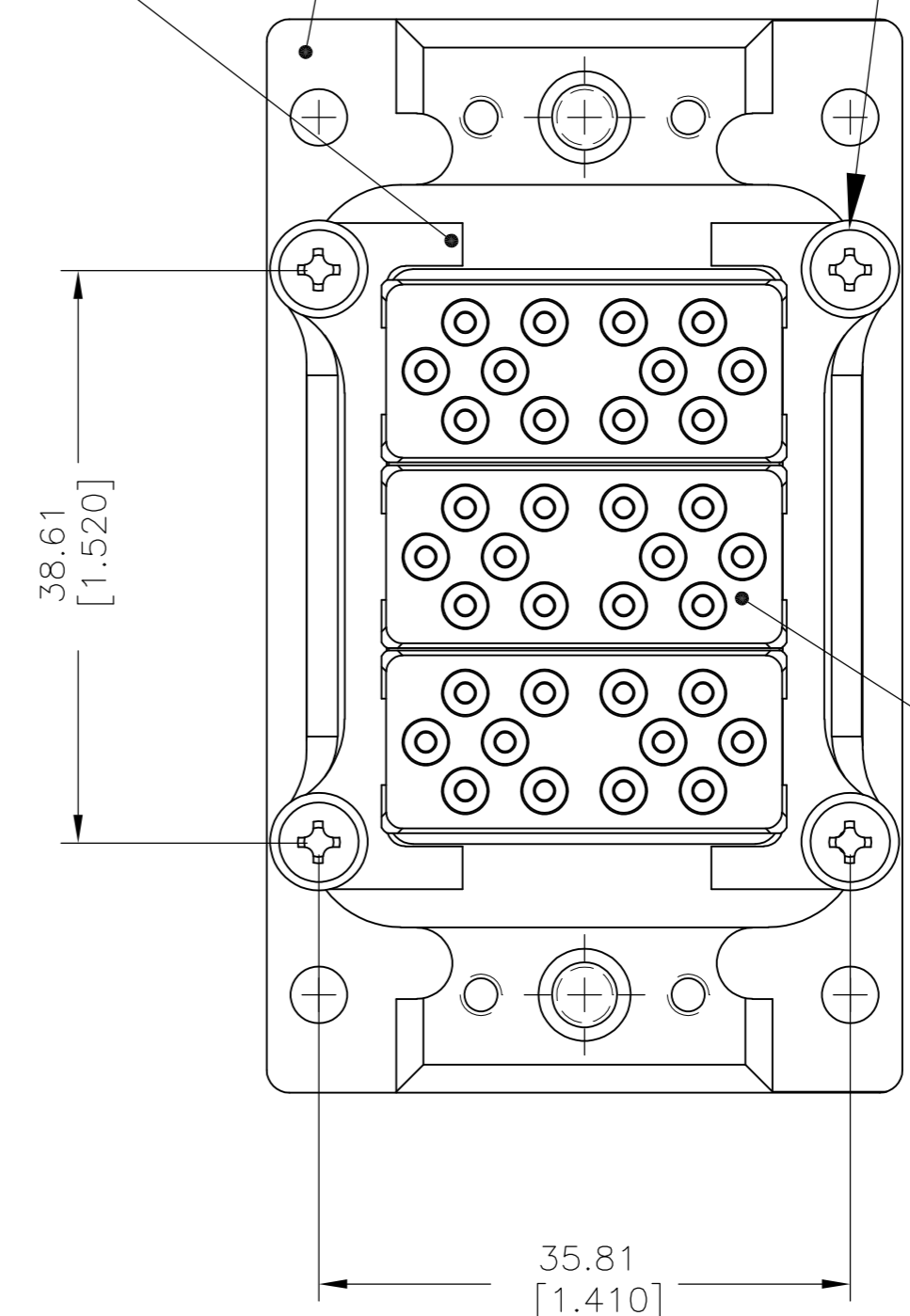
RETAINING PLATE
 MAT'L: ALUMINUM ALLOY
 FINISH: RED ANODIZE

#4-40 SCREW, FLAT HEAD
 MATL: STAINLESS STEEL
 FINISH: PASSIVATE
 4 PLC

SHELL
 MATL: ALUMINUM ALLOY PER
 QQ-A-250 OR QQ-A-591
 FINISH: ELECTROLESS NICKEL

RETAINING PLATE
 MATL: ALUMINUM PER
 QQ-A-250 OR QQ-A-591
 FINISH: ALODINE 1200

#4-40 SCREW, PAN HEAD
 MATL: STEEL
 FINISH: CHROMATE
 4 PLC



36F36 INSERT
 REAR RELEASE
 REAR REMOVE
 MATL: THERMOPLASTIC
 EPOXY
 COLOR: BLACK
 3 PLC
 TE PN 1757549-2

- RUBBER GROMMET MAY BE ONE OR THREE PARTS.
- RETAINING PLATE MAY BE ONE OR TWO PIECES
- INSTALL LuxCis TERMINI INTO THE PROPER INSERT POSITION ACCORDING TO ARINC 806-2, SECTION 7.4.2.f.

1996183-1
 PART NUMBER

THIS DRAWING IS A CONTROLLED DOCUMENT.		DWN C.C.THOMAS 7-16-07	Tyco Electronics Corporation Harrisburg, PA 17105-3608	
DIMENSIONS: mm [INCHES]	TOLERANCES UNLESS OTHERWISE SPECIFIED:	CHK K.THACKSTON 7-16-07	NAME K.THACKSTON 7-16-07	
	0 PLC ± -	APVD K.THACKSTON 7-16-07	PRODUCT SPEC	
	1 PLC ± -	APPLICATION SPEC	-	
	2 PLC ± -	WEIGHT	-	
	3 PLC ± .005 [0.13]	CUSTOMER DRAWING	-	
	4 PLC ± -	SCALE	2:1	
	ANGLES ± -	SHEET	1 OF 1	
MATERIAL SEE CALLOUTS	FINISH SEE CALLOUTS	SIZE	A2	
		CAGE CODE	00779	
		DRAWING NO	C=1996183	
		RESTRICTED TO	-	