



Chipsmall Limited consists of a professional team with an average of over 10 year of expertise in the distribution of electronic components. Based in Hongkong, we have already established firm and mutual-benefit business relationships with customers from,Europe,America and south Asia,supplying obsolete and hard-to-find components to meet their specific needs.

With the principle of "Quality Parts,Customers Priority,Honest Operation,and Considerate Service",our business mainly focus on the distribution of electronic components. Line cards we deal with include Microchip,ALPS,ROHM,Xilinx,Pulse,ON,Everlight and Freescale. Main products comprise IC,Modules,Potentiometer,IC Socket,Relay,Connector.Our parts cover such applications as commercial,industrial, and automotives areas.

We are looking forward to setting up business relationship with you and hope to provide you with the best service and solution. Let us make a better world for our industry!



Contact us

Tel: +86-755-8981 8866 Fax: +86-755-8427 6832

Email & Skype: info@chipsmall.com Web: www.chipsmall.com

Address: A1208, Overseas Decoration Building, #122 Zhenhua RD., Futian, Shenzhen, China

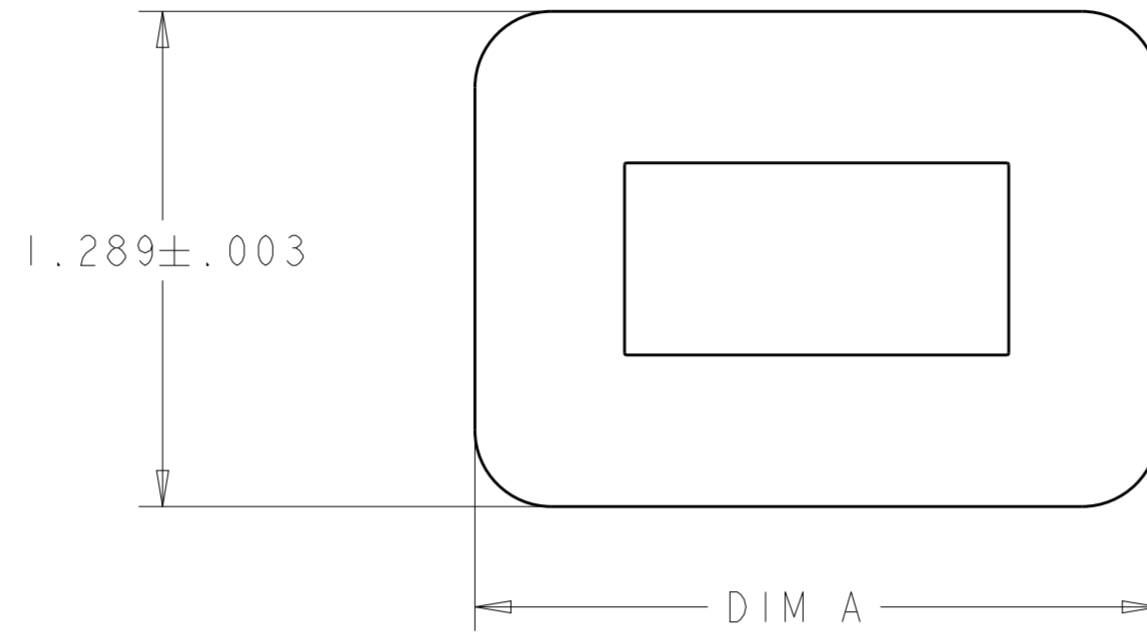
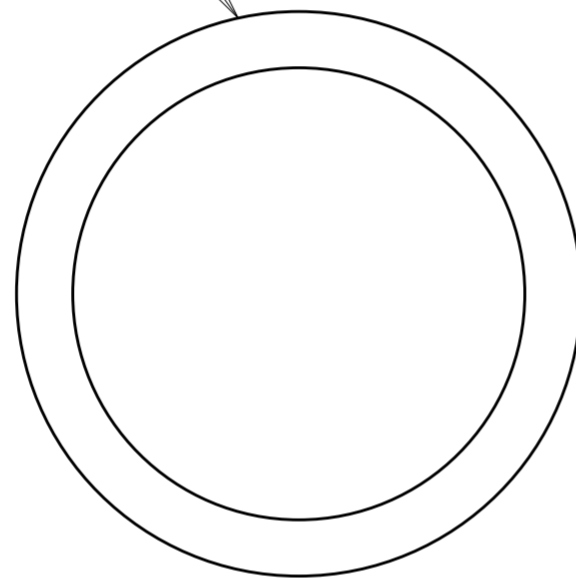


THIS DRAWING IS UNPUBLISHED. RELEASED FOR PUBLICATION
 © COPYRIGHT - BY - ALL RIGHTS RESERVED.

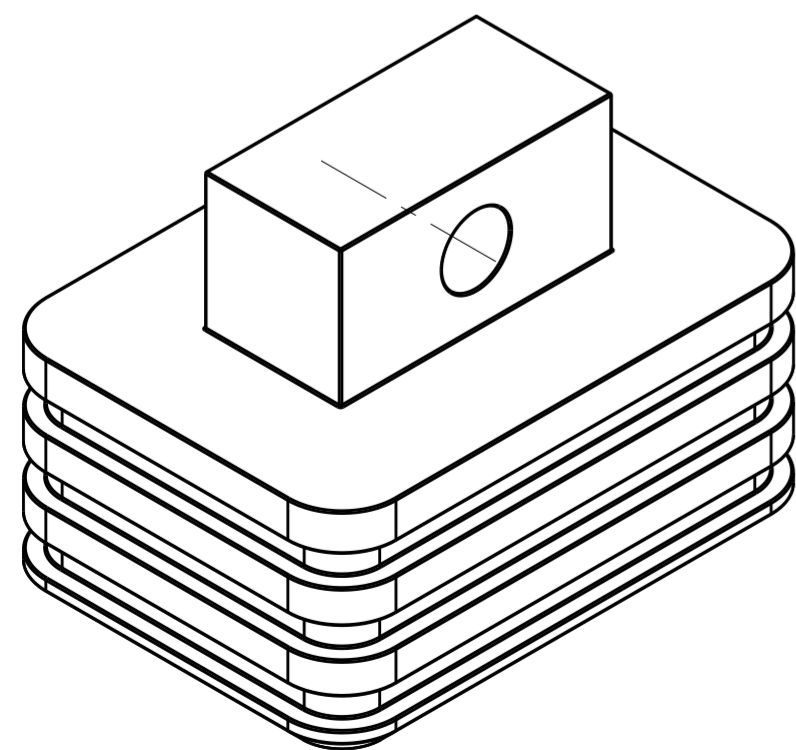
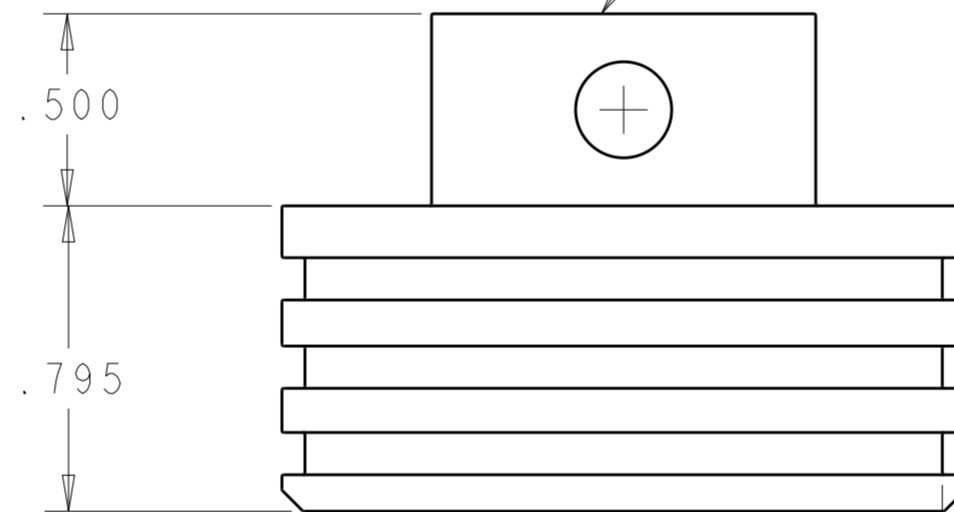
REVISIONS				
P	LTR	DESCRIPTION	DATE	APVD
A		RELEASED PER ECO 08-010544	13MAY2008	CT KT
B		REVISED PER ECO-15-011840	18NOV15	RS CT

I. PARTS ARE PACKAGED UNASSEMBLED.

O-RING; QTY = 3
 MAT'L: FLUROSILICONE PER
 MIL-R-25988, CLASS I, GR 60,
 DUROMETER 60



POCKET PROTECTOR
 MAT'L: ALUMINUM ALLOY
 FINISH: ELECTROLESS NICKEL



OBSOLETE	1.337 ± .003	1996371-2
OBSOLETE	1.777 ± .003	1996371-1
	DIM A	PART NO.

THIS DRAWING IS A CONTROLLED DOCUMENT.		DWN C.C. THOMAS 5-13-08	STE TE Connectivity	
DIMENSIONS: INCHES		CHK K. THACKSTON 5-13-08		
TOLERANCES UNLESS OTHERWISE SPECIFIED:		APVD K. THACKSTON 5-13-08	NAME POCKET PROTECTOR KIT, SIGNAL, ARINC 600	
0 PLC ±	1 PLC ±	PRODUCT SPEC	-	
2 PLC ±	3 PLC ±.010	APPLICATION SPEC	-	
4 PLC ±	ANGLES ±	WEIGHT	-	
MATERIAL SEE CALLOUT	FINISH SEE CALLOUT	SIZE CAGE CODE DRAWING NO RESTRICTED TO		
		A200779C-1996371		
		CUSTOMER DRAWING SCALE 2:1 SHEET 1 OF 1 REV B		