



Chipsmall Limited consists of a professional team with an average of over 10 year of expertise in the distribution of electronic components. Based in Hongkong, we have already established firm and mutual-benefit business relationships with customers from,Europe,America and south Asia,supplying obsolete and hard-to-find components to meet their specific needs.

With the principle of “Quality Parts,Customers Priority,Honest Operation,and Considerate Service”,our business mainly focus on the distribution of electronic components. Line cards we deal with include Microchip,ALPS,ROHM,Xilinx,Pulse,ON,Everlight and Freescale. Main products comprise IC,Modules,Potentiometer,IC Socket,Relay,Connector.Our parts cover such applications as commercial,industrial, and automotives areas.

We are looking forward to setting up business relationship with you and hope to provide you with the best service and solution. Let us make a better world for our industry!



Contact us

Tel: +86-755-8981 8866 Fax: +86-755-8427 6832

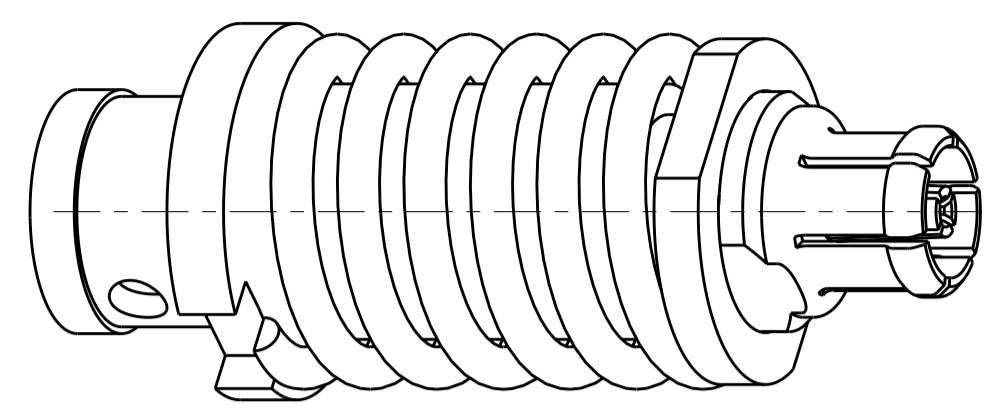
Email & Skype: info@chipsmall.com Web: www.chipsmall.com

Address: A1208, Overseas Decoration Building, #122 Zhenhua RD., Futian, Shenzhen, China



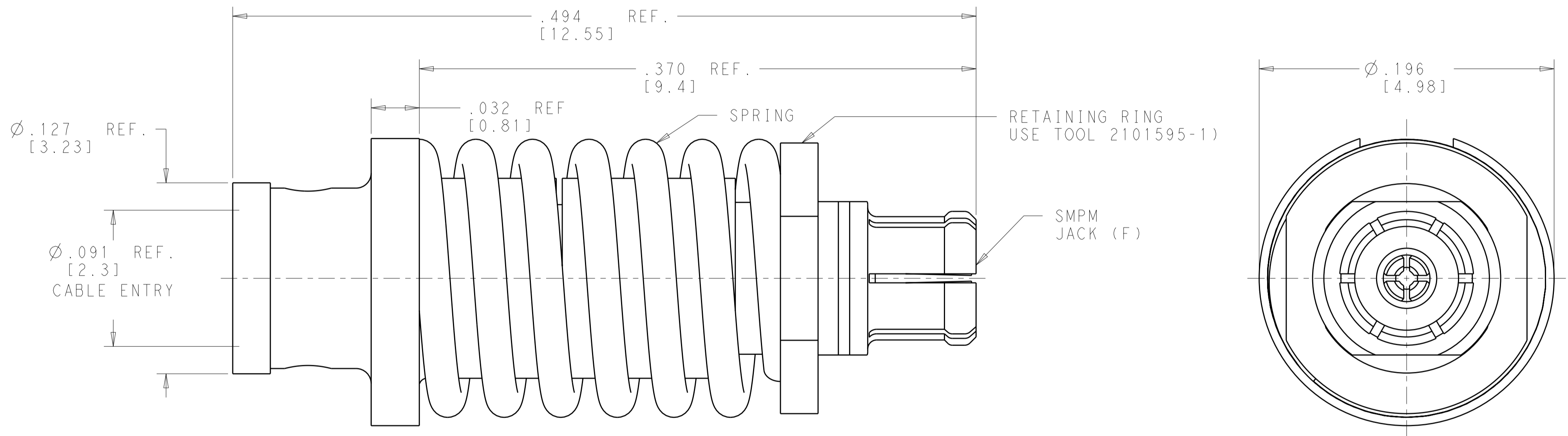
THIS DRAWING IS UNPUBLISHED. RELEASED FOR PUBLICATION
 © COPYRIGHT BY ALL RIGHTS RESERVED.

REVISIONS				
P	LTR	DESCRIPTION	DATE	APVD
M		RELEASED PER ECO 11-014858	7-22-11	CT WM

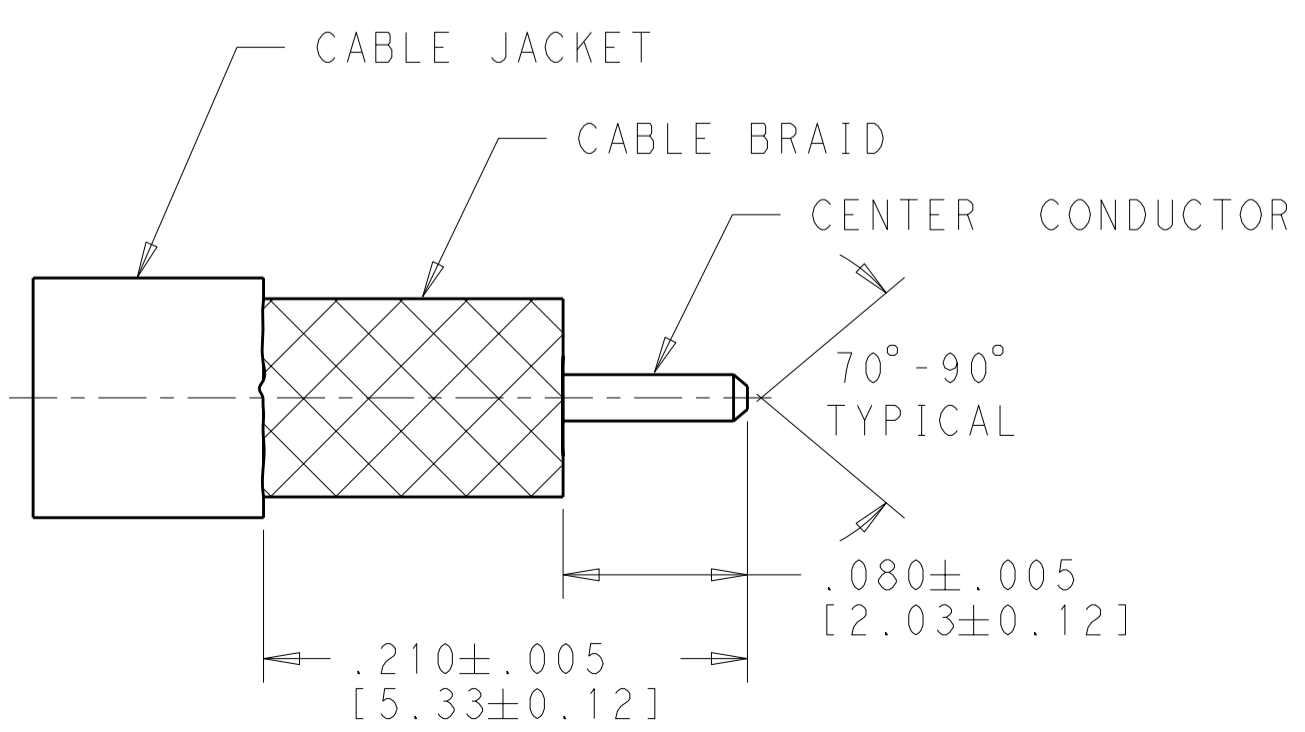


SCALE 10:1

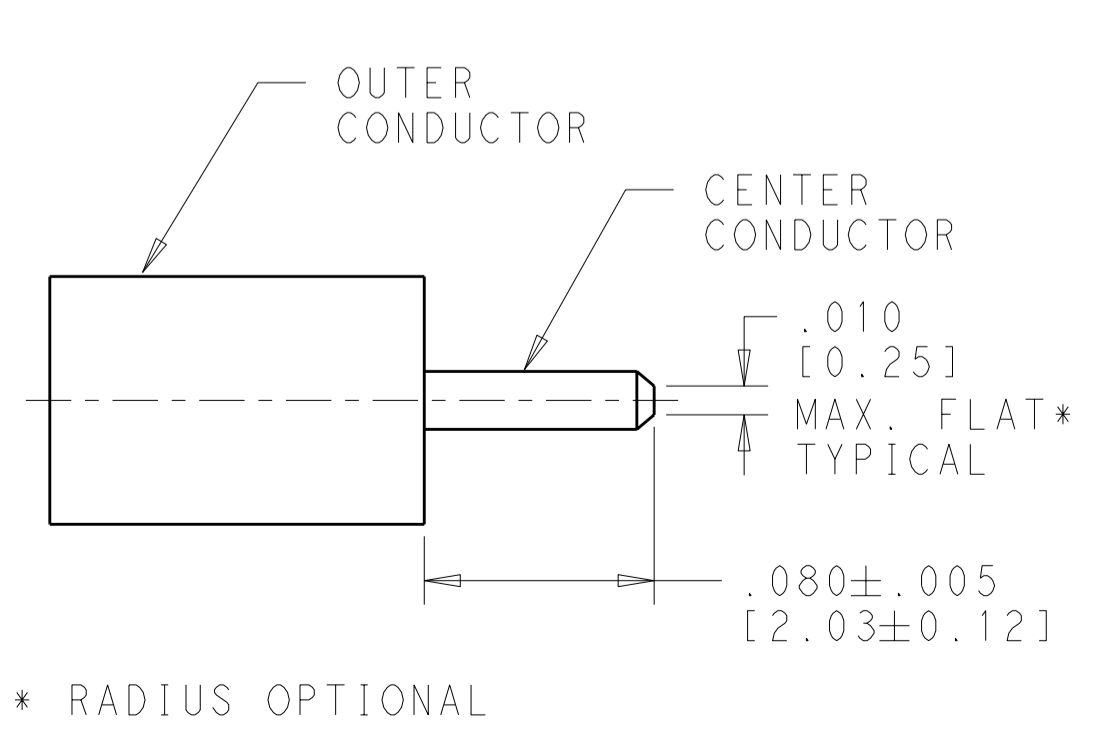
- MATERIAL:**
 BODY & CENTER CONTACT - BERYLIUM COPPER, ALLOY UNS C17300 CONDITION TDO4, PER ASTM B196
 INSULATOR - TEFLON (PTFE) ROD, PER ASTM D 1710
 RETAINING RING - STAINLESS STEEL, PER UNS S30200
 SPRING - MUSIC WIRE, PER ASTM A228
- FINISH:**
 BODY & CENTER CONTACT - GOLD PLATE, PER ASTM B488
 OVER NICKEL PLATE PER SAE-ASM-QQ-N-290
 RETAINING RING - PASSIVATED
 SPRING - NICKEL PLATE, PER SAE-ASM-QQ-N-290
- SPRING FORCE:**
 PRELOAD = 2.35 ±.25 LBF
 FORCE AT .052 DEFLECTION = 3.60±.25 LBF
 MINIMUM FULL DEFLECTION = .078 [2.0]



CABLE PREPARATION FOR Ø.086 FLEXIBLE CABLES



CABLE PREPARATION FOR Ø.086 SEMI-RIGID & CONFORMABLE CABLES



1996390-1
 PART NUMBER

THIS DRAWING IS A CONTROLLED DOCUMENT.		DWN: 20NOV2007	STE TE Connectivity	
DIMENSIONS: INCHES [mm]		CHK: 26MAY2007		
TOLERANCES UNLESS OTHERWISE SPECIFIED:		APVD: 26MAY2007	NAME: SMPM STRAIGHT CABLE JACK (F) FLOATING PANEL MOUNT - FOR USE WITH .085 DIA, AND SIMILAR CABLES	
0 PLC ±	1 PLC ±	PRODUCT SPEC	SIZE: A200779	CAGE CODE: C-1996390
2 PLC ±	3 PLC ±.005 [0.13]	APPLICATION SPEC	SCALE: 20:1	SHEET 1 OF 1
4 PLC ±	ANGLES ±1.0°	WEIGHT: -	RESTRICTED TO	
FINISH		CUSTOMER DRAWING	REV M	