



Chipsmall Limited consists of a professional team with an average of over 10 year of expertise in the distribution of electronic components. Based in Hongkong, we have already established firm and mutual-benefit business relationships with customers from,Europe,America and south Asia,supplying obsolete and hard-to-find components to meet their specific needs.

With the principle of “Quality Parts,Customers Priority,Honest Operation,and Considerate Service”,our business mainly focus on the distribution of electronic components. Line cards we deal with include Microchip,ALPS,ROHM,Xilinx,Pulse,ON,Everlight and Freescale. Main products comprise IC,Modules,Potentiometer,IC Socket,Relay,Connector.Our parts cover such applications as commercial,industrial, and automotives areas.

We are looking forward to setting up business relationship with you and hope to provide you with the best service and solution. Let us make a better world for our industry!



Contact us

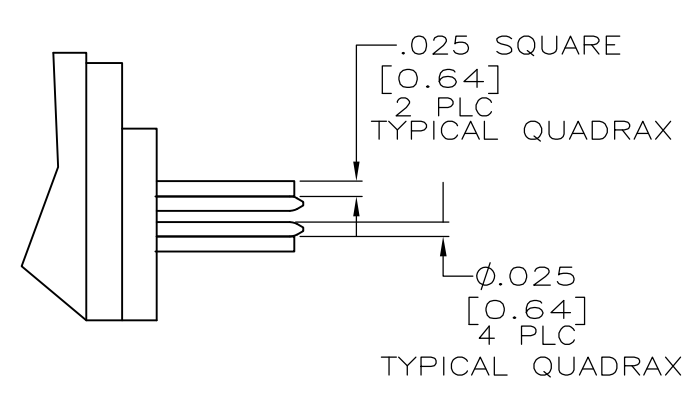
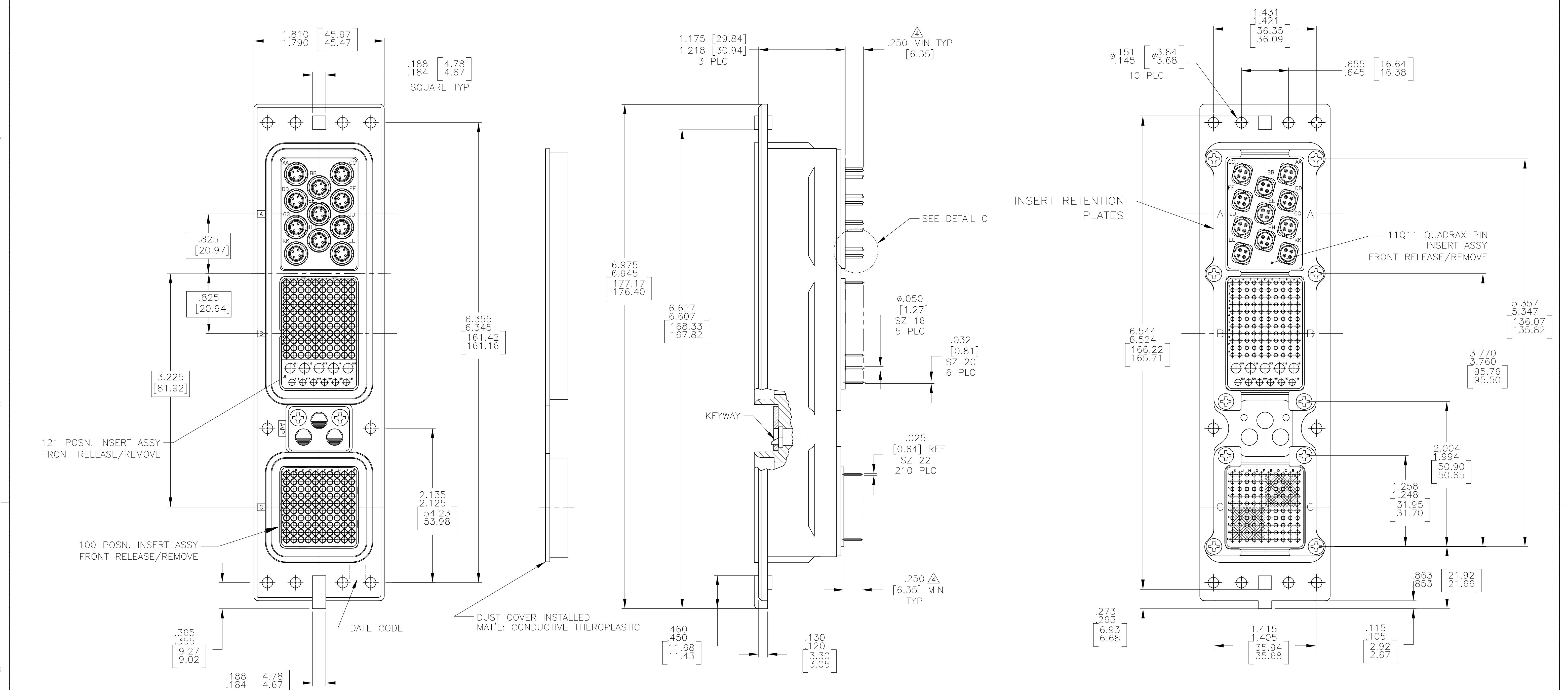
Tel: +86-755-8981 8866 Fax: +86-755-8427 6832

Email & Skype: info@chipsmall.com Web: www.chipsmall.com

Address: A1208, Overseas Decoration Building, #122 Zhenhua RD., Futian, Shenzhen, China



LOC	DIST	REV	DESCRIPTION	DATE	OWN	APVD
DF	AO	A	RELEASED FOR PRODUCTION	5-8-08	CT	KT



COMPONENT	MATERIAL	FINISH
SHELL	DIE CAST ALUMINUM PER ASTM-B-85	ELECTROLESS NICKEL PER MIL-C-26074, CLASS 3 OR 4, GRADE B
RETENTION PLATES	ALUMINUM ALLOY PER ASTM-B-209	ELECTROLESS NICKEL PER MIL-C-26074, CLASS 3 OR 4, GRADE B
SCREWS AND LOCKWASHERS	STEEL OR STAINLESS STEEL	CHROMATE OVER ZINC OR PASSIVATED
KEYWAY	ZINC ALLOY PER ASTM-B-86	-
KEYWAY RETAINING PLATE	ALUMINUM ALLOY PER ASTM-B-209	BLUE ANODIZED PER MIL-A-8625
121 & 100 POSN. INSERTS	THERMOSET	-
QUADRAX INSERT	ALUMINUM ALLOY PER ASTM-B-209	ELECTROLESS NICKEL PER MIL-C-26074, CLASS 3 OR 4, GRADE B

"00"	MODULE A: SIZE 8 QUADRAX: 1445626-4 (QTY=11)	1996697-1
	MODULE B: SIZE 22 POSTED SKT CONTACT: 211431-4 (QTY=110) SIZE 20 POSTED PIN CONTACT: 1-448138-5 (QTY=6) SIZE 16 POSTED PIN CONTACT: 1-448139-1 (QTY=5)	
KEYING POSITION	MODULE C: SIZE 22 POSTED SKT CONTACT: 211431-4 (QTY=100)	CONTACTS INCLUDED AND INSTALLED

- CONNECTOR DIMENSIONS ARE PER ARINC 600 SPECIFICATION UNLESS OTHERWISE SPECIFIED.
- CONNECTOR IS SUPPLIED WITH CONTACTS (PER TABLE) ASSEMBLED AS SHOWN.
- KEYING SHOWN IN POSITION "01" FOR REFERENCE ONLY. SEE TABLE FOR KEYING POSITION. FOR POSITION "00" KEYING SHIPPED UNASSEMBLED.
- WITH CONTACT FULLY SEATED TO REAR OF CAVITY.
- CONTACTS NOT SHOWN IN MODULE B & C FRONT AND REAR VIEWS FOR CLARITY.

THIS DRAWING IS A CONTROLLED DOCUMENT.		DWN: C.C.THOMAS 4-29-08	Tyco Electronics Corporation
DIMENSIONS: INCHES [mm]		CHK: K.THACKSTON 4-29-08	Harrisburg, Pa 17105-3608
TOLERANCES UNLESS OTHERWISE SPECIFIED:		NAME: K.THACKSTON 4-29-08	RCPT ASSY, SIZE 2, ARINC 600 (11Q11/121/100)
0 PLC ± -	1 PLC ± -	PRODUCT SPEC	SIZE: A1
2 PLC ± -	3 PLC ± .002 [0.05]	APPLICATION SPEC	CAGE CODE: 00779
4 PLC ± -	ANGLES ± -	WEIGHT: -	DRAWING NO: 1996697
MATERIAL: SEE TABLE	FINISH: SEE TABLE	CUSTOMER DRAWING	RESTRICTED TO: -
SCALE: 3:2		SHEET: 1 OF 1	