



Chipsmall Limited consists of a professional team with an average of over 10 year of expertise in the distribution of electronic components. Based in Hongkong, we have already established firm and mutual-benefit business relationships with customers from,Europe,America and south Asia,supplying obsolete and hard-to-find components to meet their specific needs.

With the principle of “Quality Parts,Customers Priority,Honest Operation,and Considerate Service”,our business mainly focus on the distribution of electronic components. Line cards we deal with include Microchip,ALPS,ROHM,Xilinx,Pulse,ON,Everlight and Freescale. Main products comprise IC,Modules,Potentiometer,IC Socket,Relay,Connector.Our parts cover such applications as commercial,industrial, and automotives areas.

We are looking forward to setting up business relationship with you and hope to provide you with the best service and solution. Let us make a better world for our industry!



Contact us

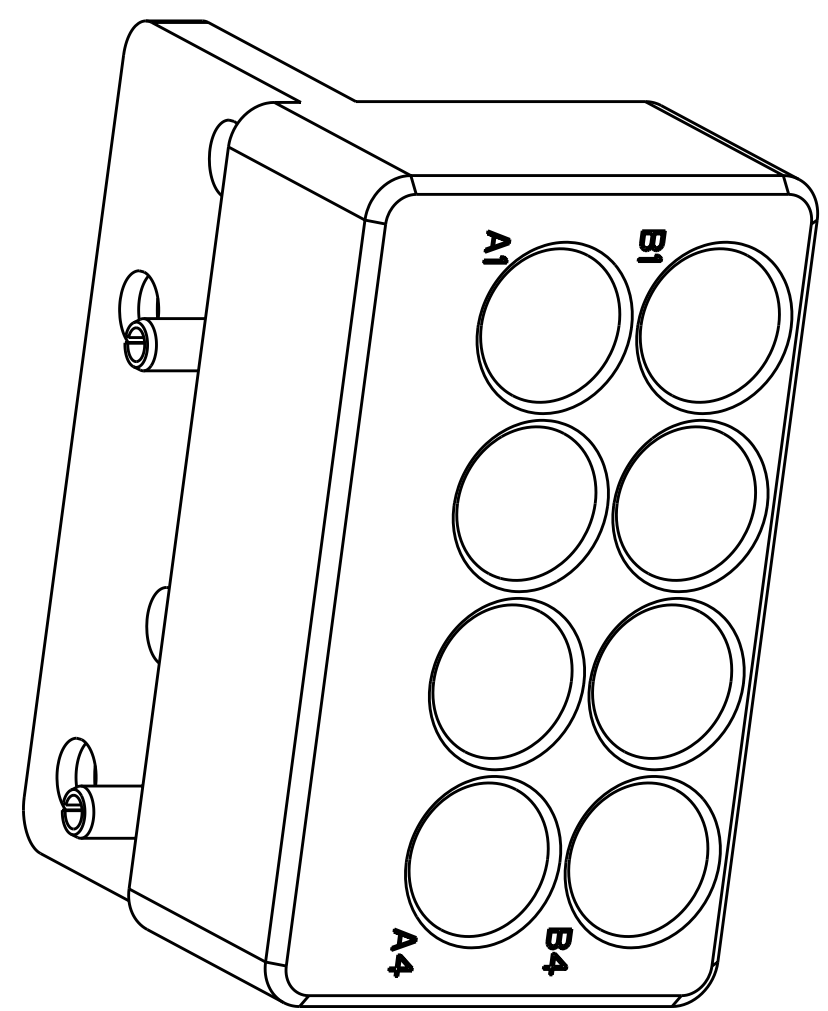
Tel: +86-755-8981 8866 Fax: +86-755-8427 6832

Email & Skype: info@chipsmall.com Web: www.chipsmall.com

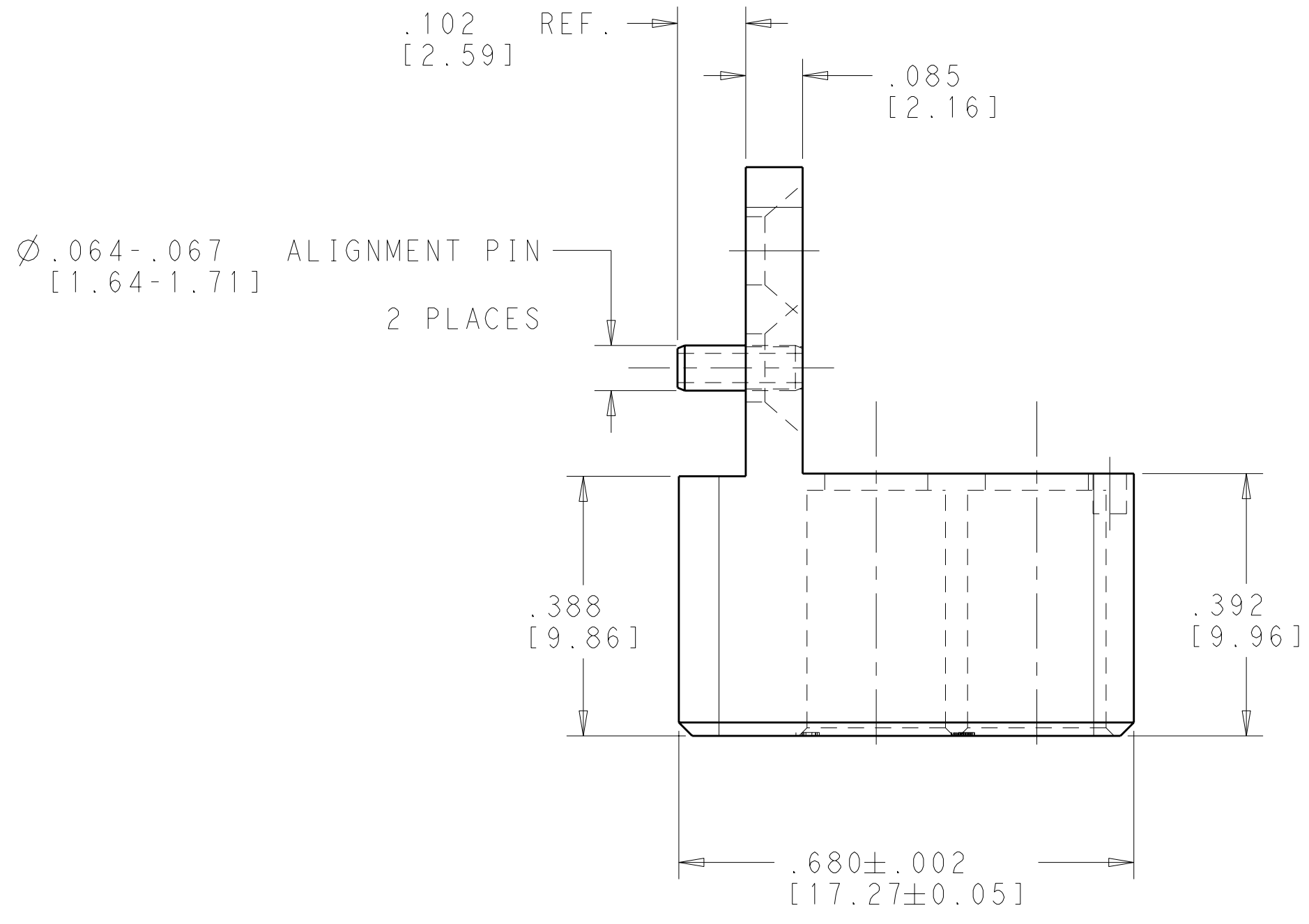
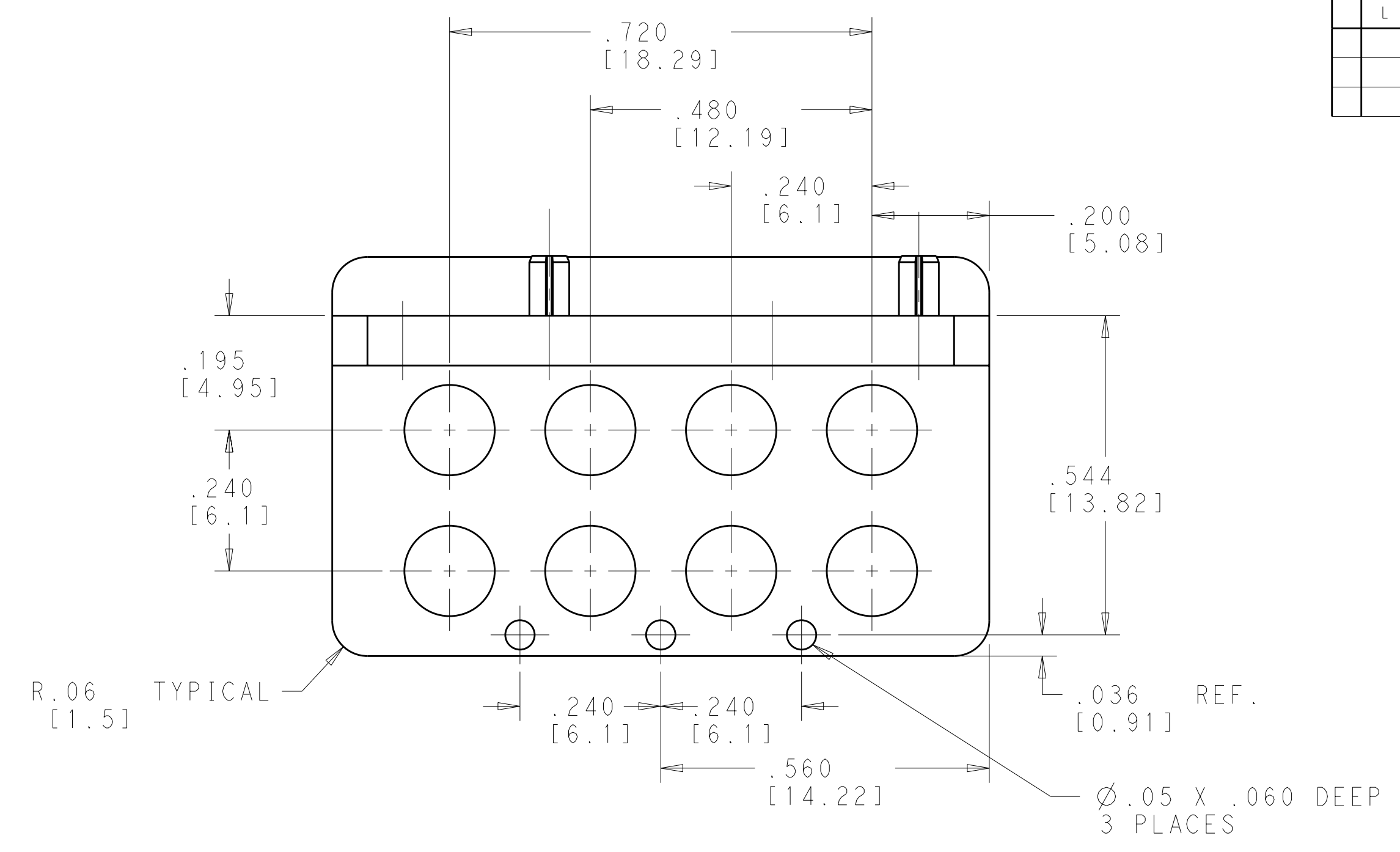
Address: A1208, Overseas Decoration Building, #122 Zhenhua RD., Futian, Shenzhen, China



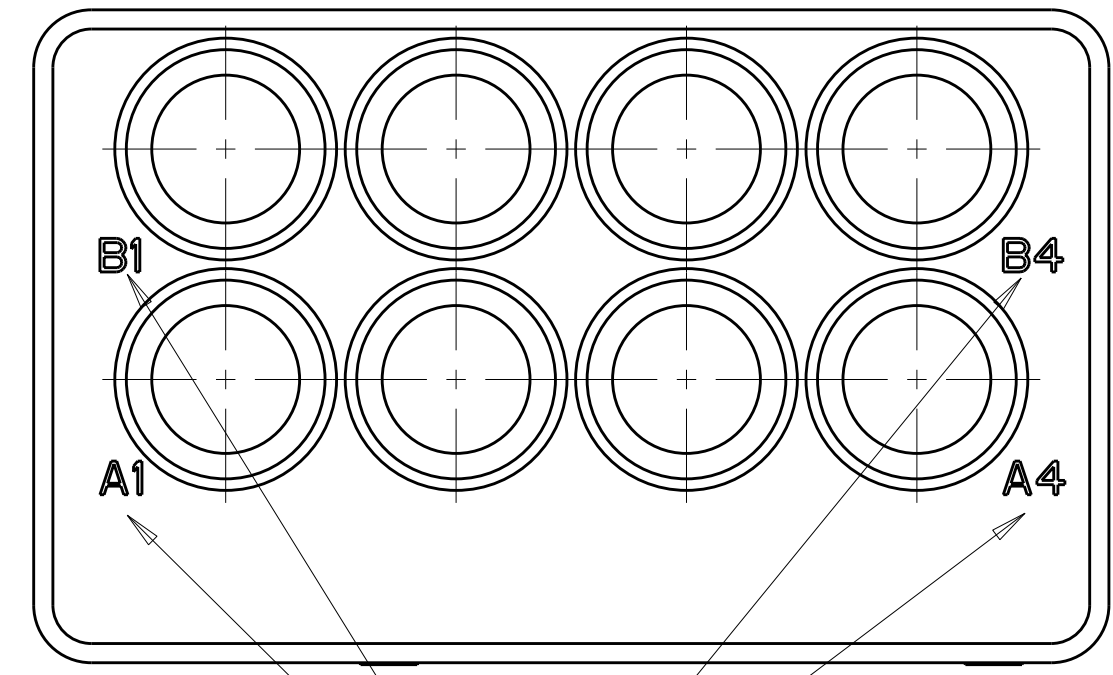
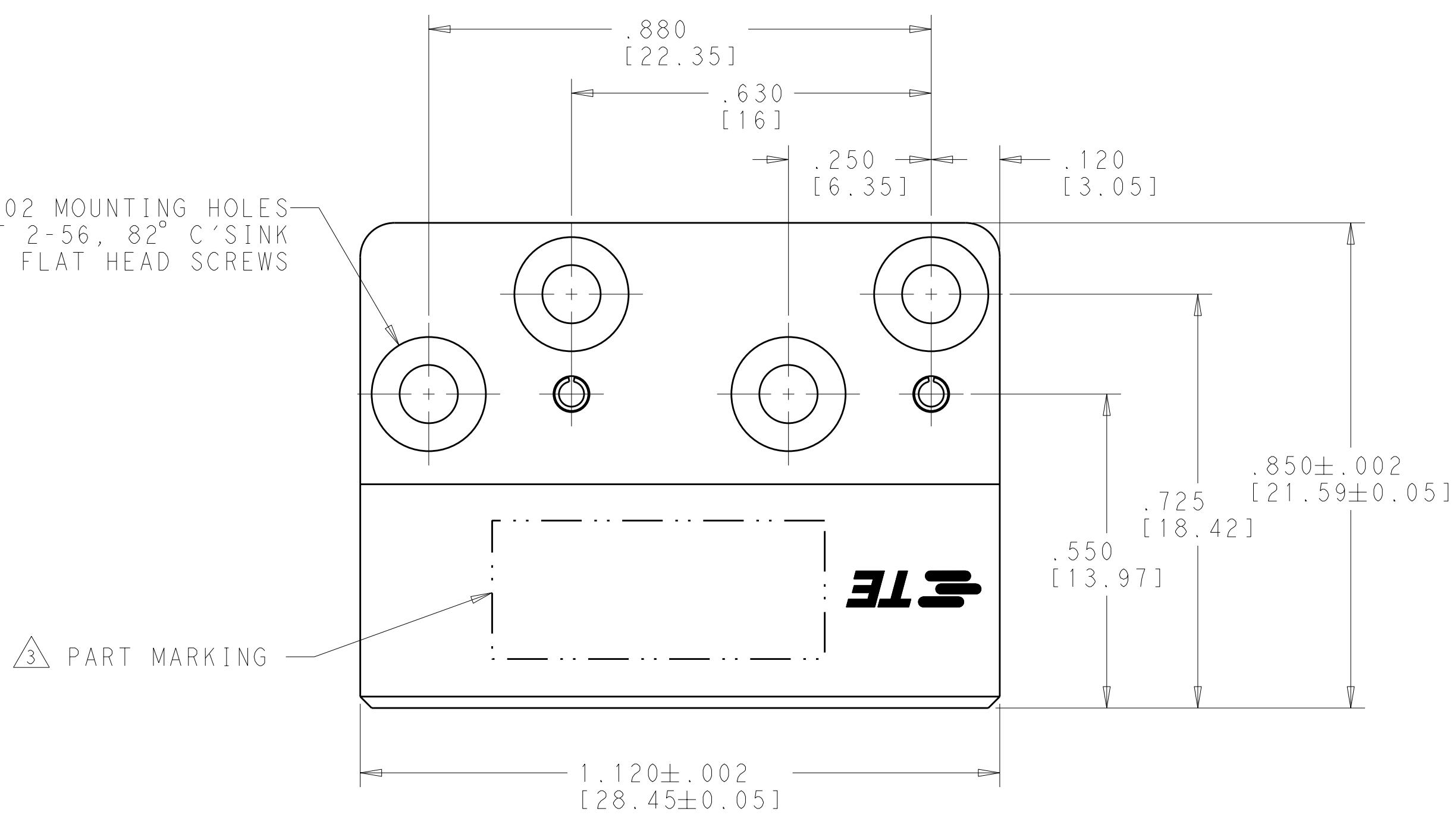
LOC		DIST		REVISIONS			
P	LTB	DESCRIPTION	DATE	DWN	APVD	CT	WM
L		RELEASED PER ECO 11-013675	7-5-11	CT	WM		



SCALE 4:1



Ø.102 MOUNTING HOLES ACCEPT 2-56, 82° C'SINK FLAT HEAD SCREWS



CAVITY IDENTIFICATION

- 1 MATERIAL:
MODULE BODY - STAINLESS STEEL, PER UNS S30300
SPRING PINS - WORK HARDENED NICKEL STAINLESS STEEL
- 2 FINISH:
MODULE BODY & SPRING PINS - PASSIVATED
- 3 PART MARKING:
TE CONNECTIVITY PART NUMBER, CAGE CODE AND DATE CODE
- 4 CAVITY IDENTIFICATION MARKING

1996705-4	3 4	1996705-4
-----	-----	1996705-3
P/N MARKING	MARKING REQUIREMENT	PART NUMBER

THIS DRAWING IS A CONTROLLED DOCUMENT.

DIMENSIONS: INCHES(mm)	TOLERANCES UNLESS OTHERWISE SPECIFIED:	DWN S.T. Morley 01MAY2007	NAME S.T. Morley
1 PLC ±.1	2 PLC ±.01	CHK S.T. Morley 01MAY2007	PRODUCT SPEC
3 PLC ±.001	4 PLC ±.0005	APVD S.T. Morley 01MAY2007	APPLICATION SPEC
ANGLES ±1.0°			
MATERIAL	FINISH	WEIGHT 1.045 oz	SIZE CAGE CODE DRAWING NO. RESTRICTED TO
		A100779C=1996705	
		CUSTOMER DRAWING	SCALE 5:1 SHEET 1 OF 1 REV L

TE Connectivity
POSITION R.F. MODULE, P.C.B. MOUNT
VITA 67 DAUGHTER CARD