



Chipsmall Limited consists of a professional team with an average of over 10 year of expertise in the distribution of electronic components. Based in Hongkong, we have already established firm and mutual-benefit business relationships with customers from,Europe,America and south Asia,supplying obsolete and hard-to-find components to meet their specific needs.

With the principle of “Quality Parts,Customers Priority,Honest Operation,and Considerate Service”,our business mainly focus on the distribution of electronic components. Line cards we deal with include Microchip,ALPS,ROHM,Xilinx,Pulse,ON,Everlight and Freescale. Main products comprise IC,Modules,Potentiometer,IC Socket,Relay,Connector.Our parts cover such applications as commercial,industrial, and automotives areas.

We are looking forward to setting up business relationship with you and hope to provide you with the best service and solution. Let us make a better world for our industry!



## Contact us

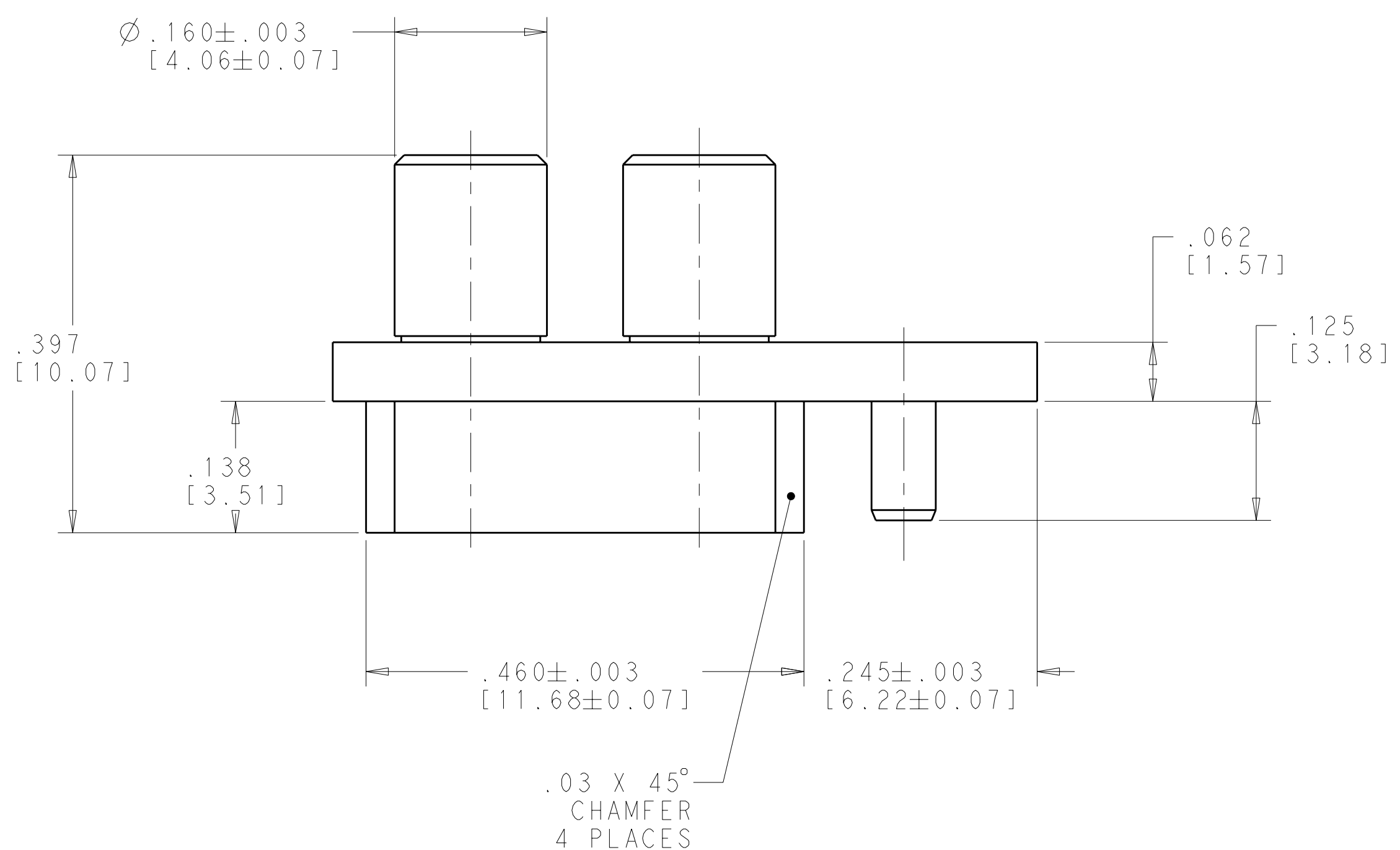
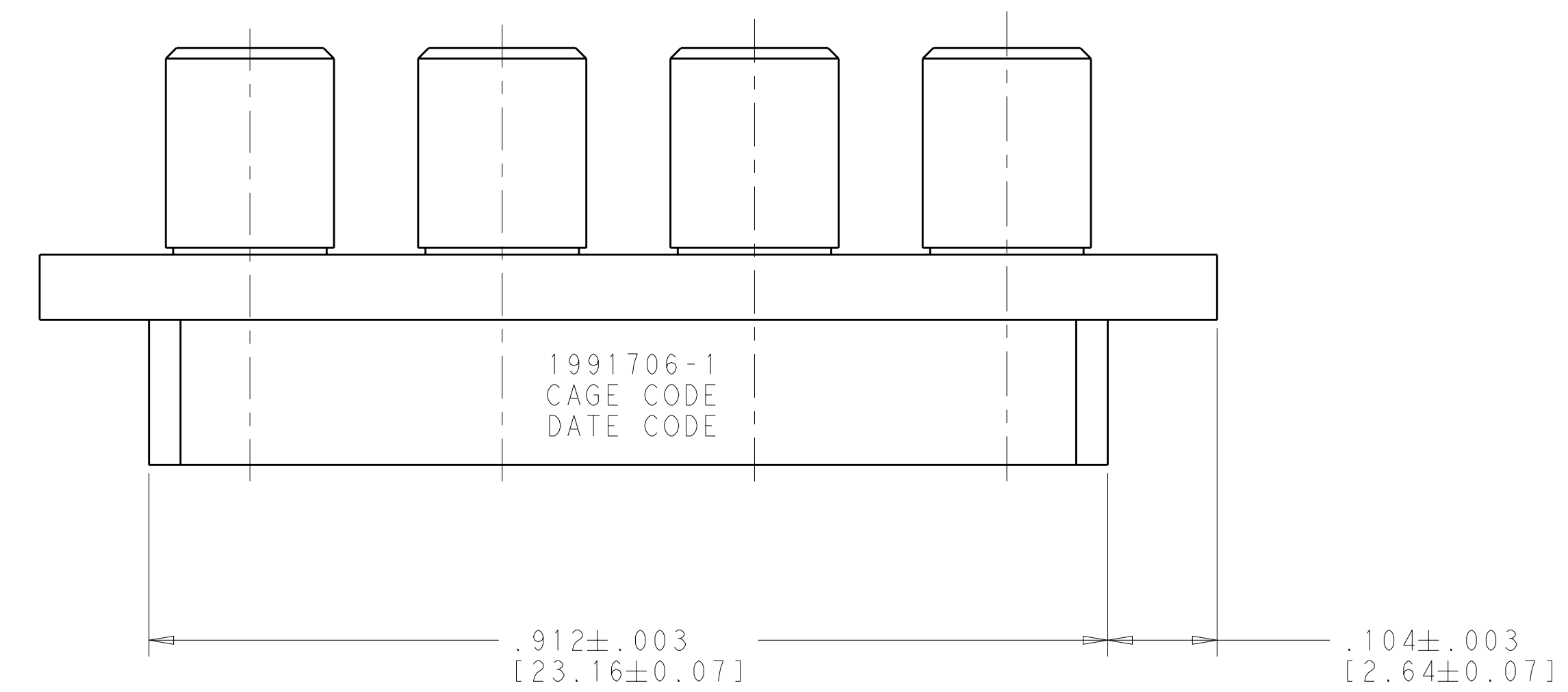
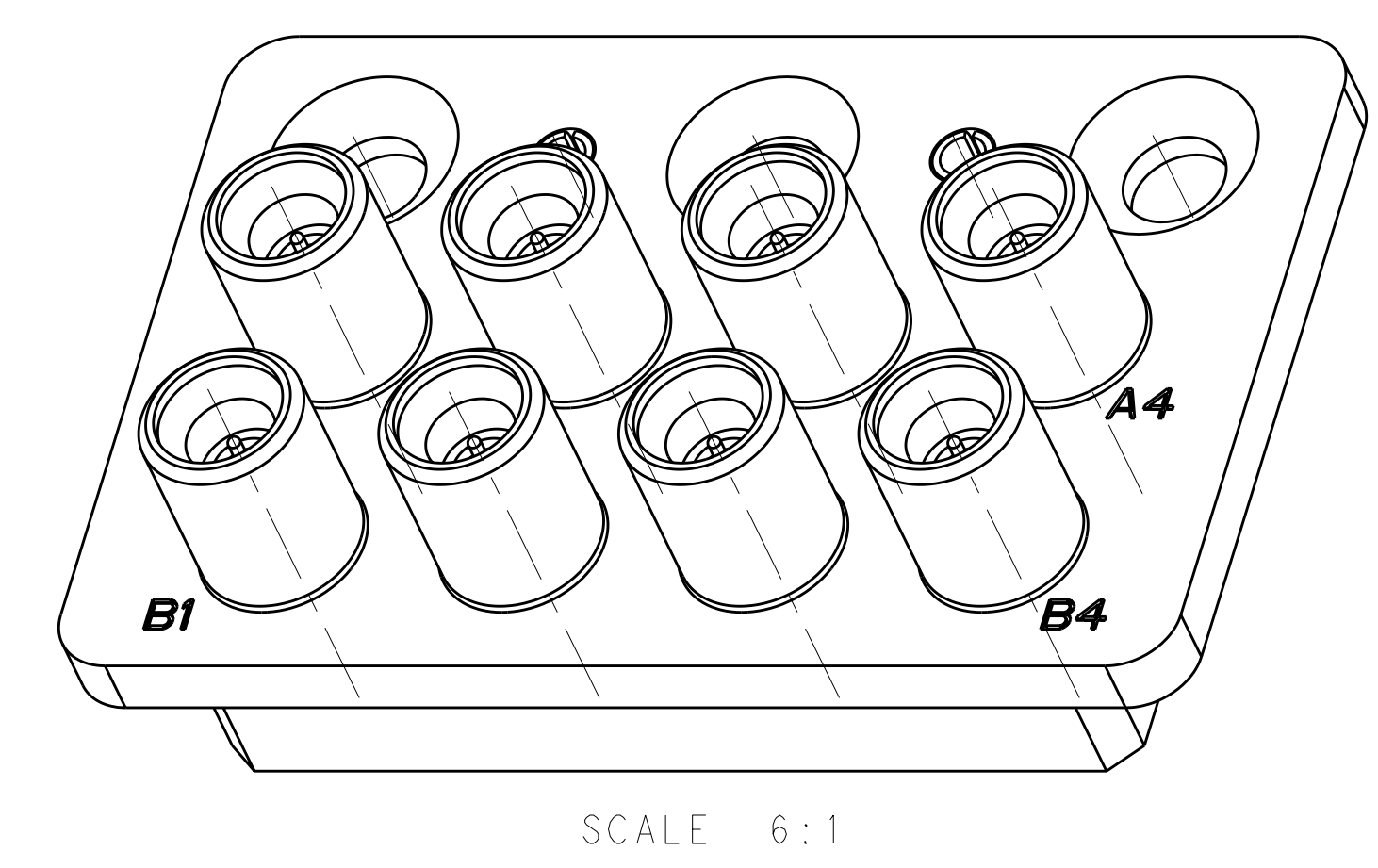
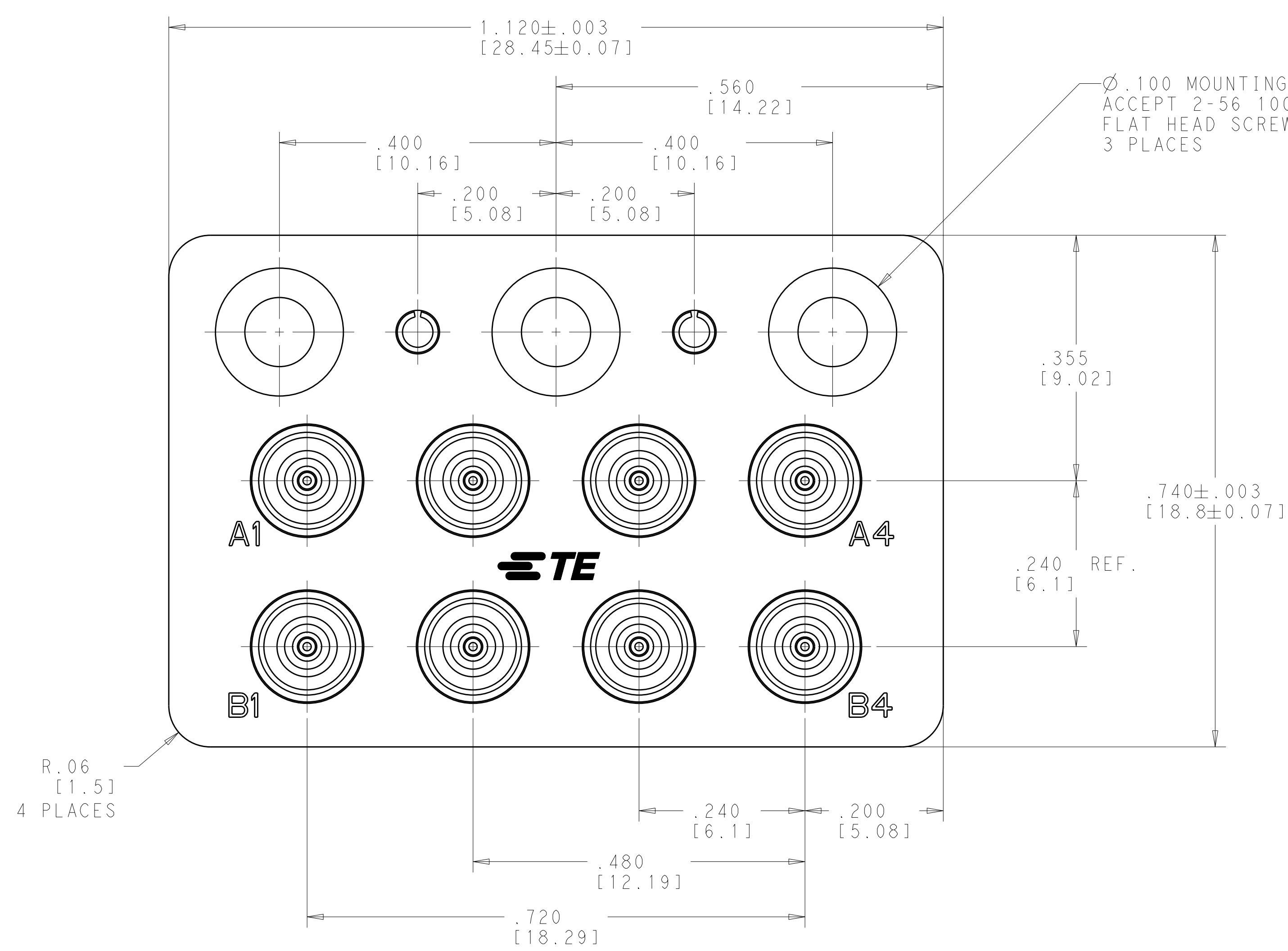
Tel: +86-755-8981 8866 Fax: +86-755-8427 6832

Email & Skype: info@chipsmall.com Web: www.chipsmall.com

Address: A1208, Overseas Decoration Building, #122 Zhenhua RD., Futian, Shenzhen, China



LOC	DIST	REV	DATE	BY	APPD
		H	7-25-11	CT	WM
DESCRIPTION			REVISIONS		
RELEASED PER ECO 11-014579					



- MATERIAL:  
 SMOOTHBORE SMPM CONNECTOR BODY & CENTER CONTACT - BERYLIUM COPPER,  
 ALLOY UNS C17300 CONDITION T04, PER ASTM B196.  
 INSULATORS - TEFLON (PTFE) ROD, PER ASTM D 1710.  
 MODULE BODY - STAINLESS STEEL, PER UNS S30300  
 SLOTTED SPRIN PIN - NICKEL STAINLESS STEEL
- FINISH:  
 SMOOTHBORE SMPM CONNECTOR BODY & CENTER CONTACT - GOLD PLATE OVER NICKEL  
 MODULE BODY & SLOTTED PIN - PASSIVATED

1996706-1  
 PART NUMBER

THIS DRAWING IS A CONTROLLED DOCUMENT.		DWN S.T. Morley 29MAY2009	TE Connectivity
DIMENSIONS: INCHES/mm		CHK S.T. Morley 29MAY2009	
TOLERANCES UNLESS OTHERWISE SPECIFIED:		APPD S.T. Morley 29MAY2009	NAME: 8 POSITION R.F. MODULE P.C.B. MOUNT - BACKPLANE VITA67,
9 PLC ±.1 5 PLC ±.01 4 PLC ±.005 ANGLES ±1.0°		PRODUCT SPEC	
MATERIAL NOTE 1		FINISH NOTE 2	SIZE: CAGE CODE DRAWING NO. RESTRICTED TO A100779C=1996706
CUSTOMER DRAWING		SCALE 8:1	SHEET 1 OF 1 REV H