



Chipsmall Limited consists of a professional team with an average of over 10 year of expertise in the distribution of electronic components. Based in Hongkong, we have already established firm and mutual-benefit business relationships with customers from,Europe,America and south Asia,supplying obsolete and hard-to-find components to meet their specific needs.

With the principle of “Quality Parts,Customers Priority,Honest Operation,and Considerate Service”,our business mainly focus on the distribution of electronic components. Line cards we deal with include Microchip,ALPS,ROHM,Xilinx,Pulse,ON,Everlight and Freescale. Main products comprise IC,Modules,Potentiometer,IC Socket,Relay,Connector.Our parts cover such applications as commercial,industrial, and automotives areas.

We are looking forward to setting up business relationship with you and hope to provide you with the best service and solution. Let us make a better world for our industry!



## Contact us

Tel: +86-755-8981 8866 Fax: +86-755-8427 6832

Email & Skype: info@chipsmall.com Web: www.chipsmall.com

Address: A1208, Overseas Decoration Building, #122 Zhenhua RD., Futian, Shenzhen, China

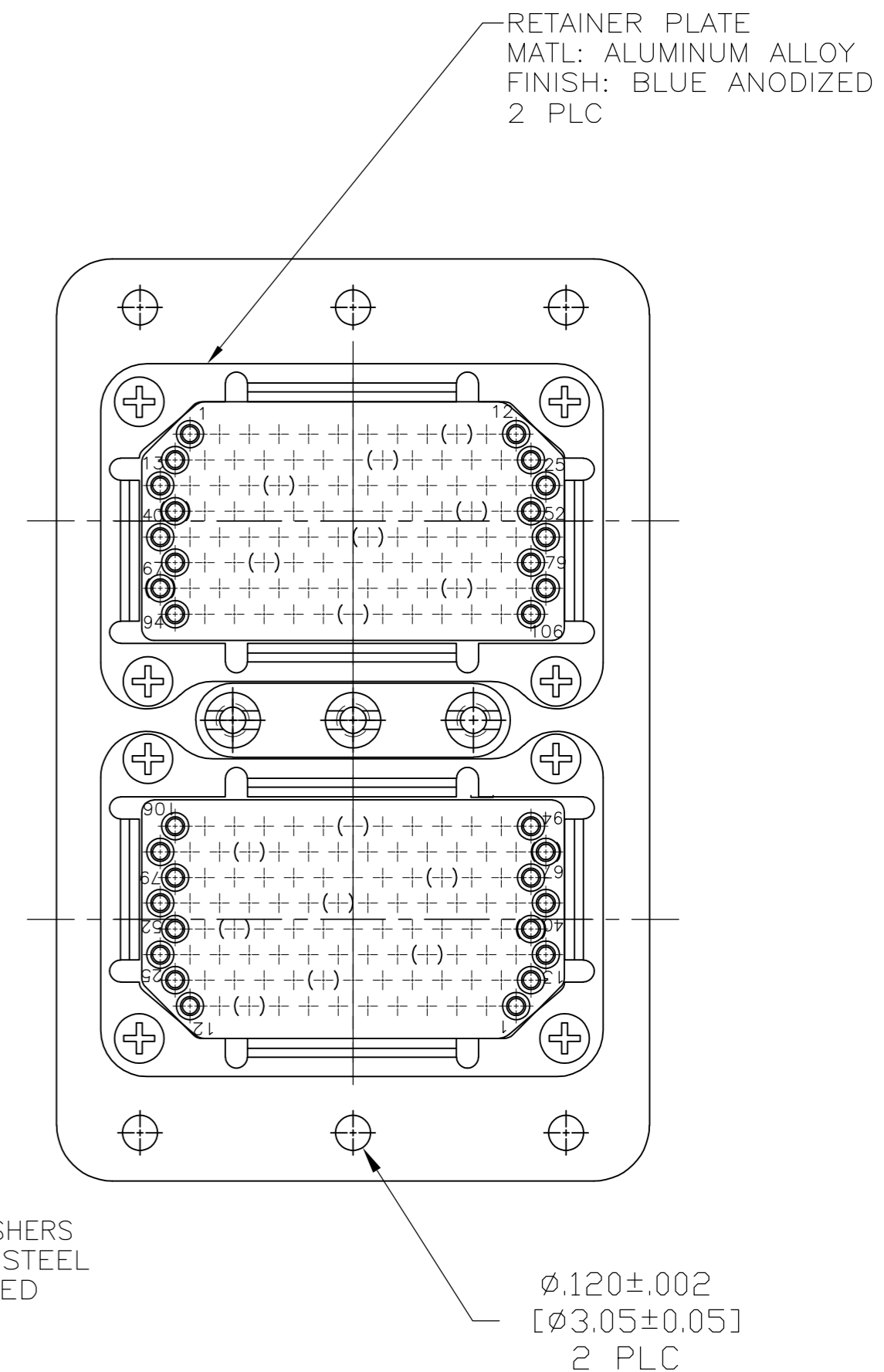
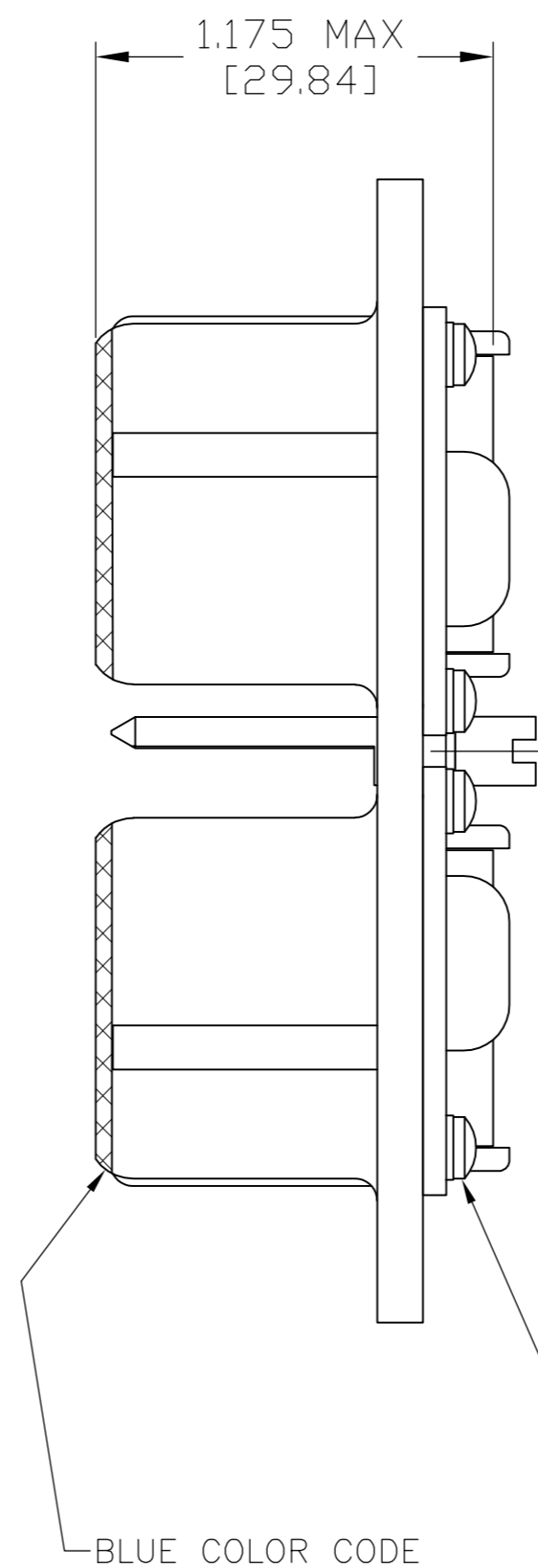
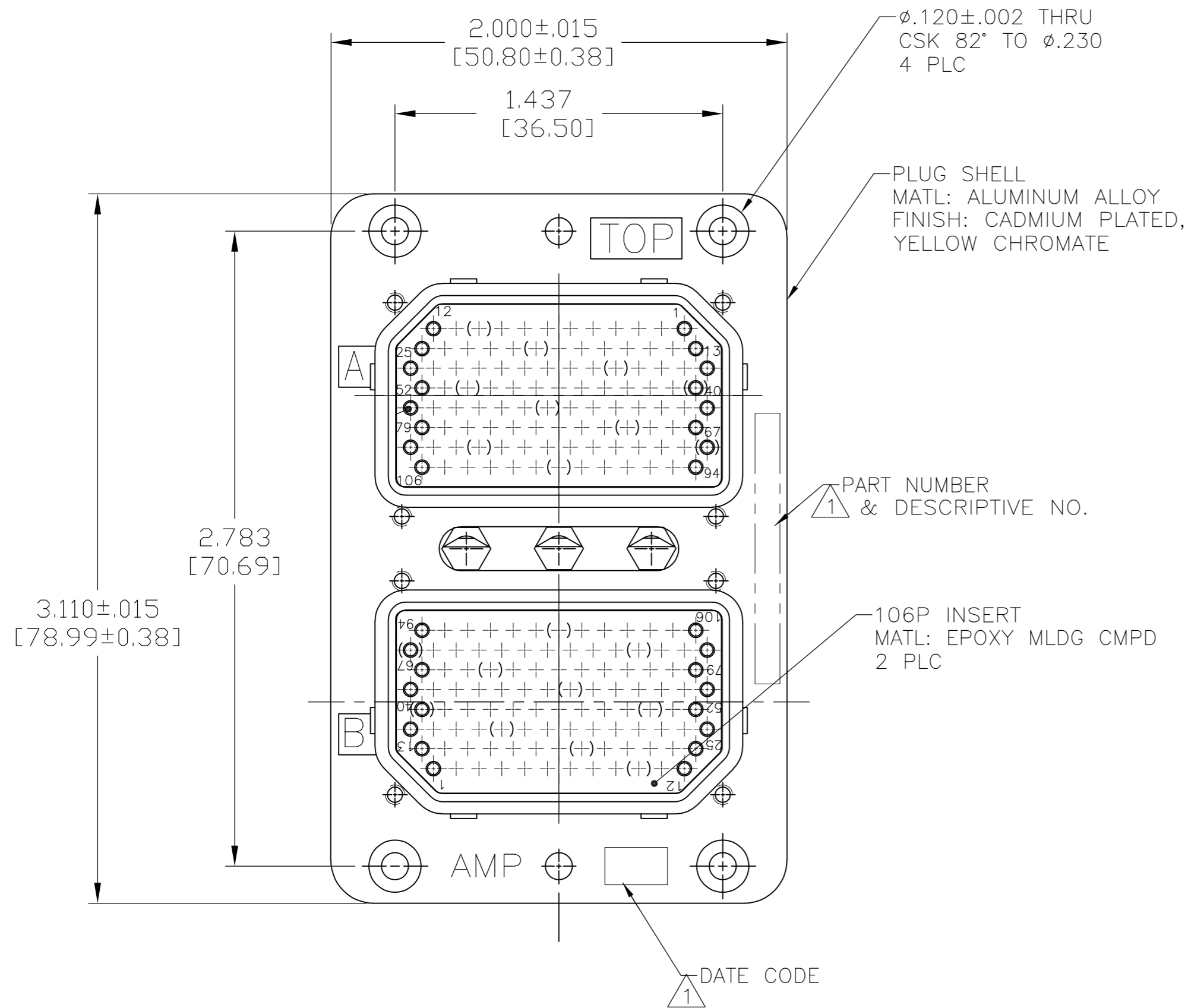


THIS DRAWING IS UNPUBLISHED. RELEASED FOR PUBLICATION  
 © COPYRIGHT BY TYCO ELECTRONICS CORPORATION. ALL INTERNATIONAL RIGHTS RESERVED.

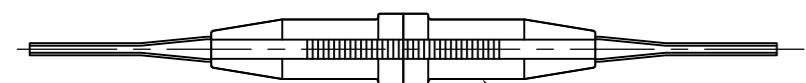
LOC		DIST		REVISIONS			
P	LTR	DESCRIPTION	DATE	DWN	APVD		
-	-	A	RELEASED	4-9-10	CT	DE	

1 TE PART NO., DESCRIPTIVE NO. AND DATE CODE MARKED IN AREA SHOWN.

2 CONTACTS, FILLER PLUGS & INS/EXT TOOL ARE PACKAGED IN A SEPARATE CONTAINER AND SHIPPED WITH CONNECTOR.



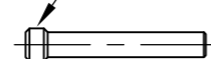
2 SIZE 22 PIN CONTACT (QTY=219)  
 MATL: LEADED COPPER PER ASTM-B-152  
 FINISH: GOLD PLATED PER MIL-G-45204  
 OVER NICKEL PER QQ-N-290



2 SIZE 22 INSERTION/EXTRACTION TOOL  
 QTY = 1



2 SIZE 22 FILLER PLUG (QTY=32)



THIS DRAWING IS A CONTROLLED DOCUMENT.		DWN C.C.THOMAS 4-9-10	Tyco Electronics Corporation Harrisburg, PA 17105-3608	
DIMENSIONS: INCHES [mm]		CHK D.EABY 4-9-10	NAME PLUG ASSY,ARINC 404,MME2P106P106P-00 (204)	
TOLERANCES UNLESS OTHERWISE SPECIFIED:		APVD D.EABY 4-9-10	SIZE A2 CAGE CODE 00779 C=1996731	
0 PLC ± -		PRODUCT SPEC -	DRAWING NO -	
1 PLC ± -		APPLICATION SPEC -	RESTRICTED TO -	
2 PLC ± -		WEIGHT -	SCALE 2:1 SHEET 1 of 1 REV A	
3 PLC ± .005 [0.13]		CUSTOMER DRAWING		
4 PLC ± -				
ANGLES ± -				
FINISH -				

"01"	1996731-1
KEYING POSITION	PART NUMBER