

Chipsmall Limited consists of a professional team with an average of over 10 year of expertise in the distribution of electronic components. Based in Hongkong, we have already established firm and mutual-benefit business relationships with customers from,Europe,America and south Asia,supplying obsolete and hard-to-find components to meet their specific needs.

With the principle of “Quality Parts,Customers Priority,Honest Operation,and Considerate Service”,our business mainly focus on the distribution of electronic components. Line cards we deal with include Microchip,ALPS,ROHM,Xilinx,Pulse,ON,Everlight and Freescale. Main products comprise IC,Modules,Potentiometer,IC Socket,Relay,Connector.Our parts cover such applications as commercial,industrial, and automotives areas.

We are looking forward to setting up business relationship with you and hope to provide you with the best service and solution. Let us make a better world for our industry!



## Contact us

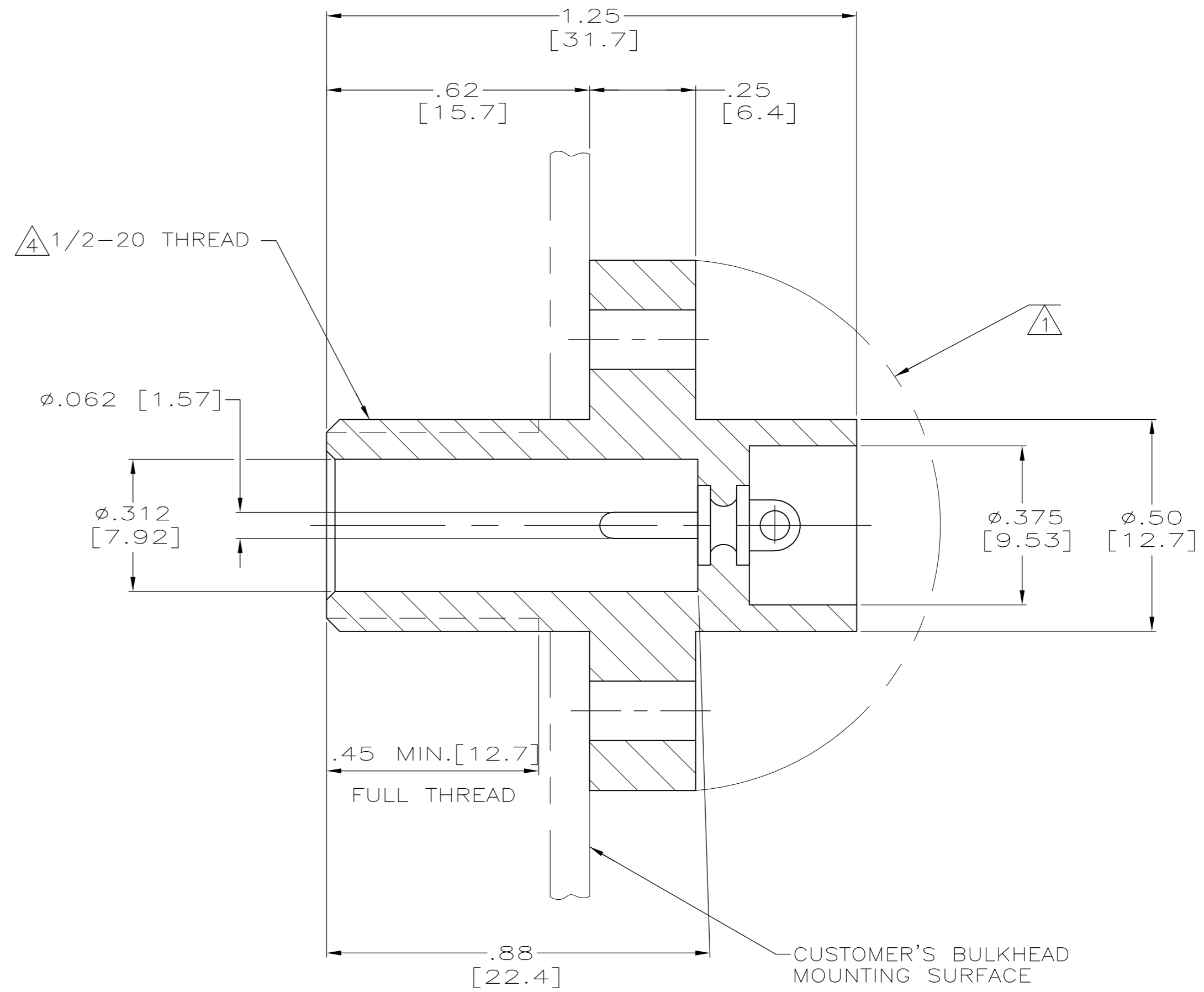
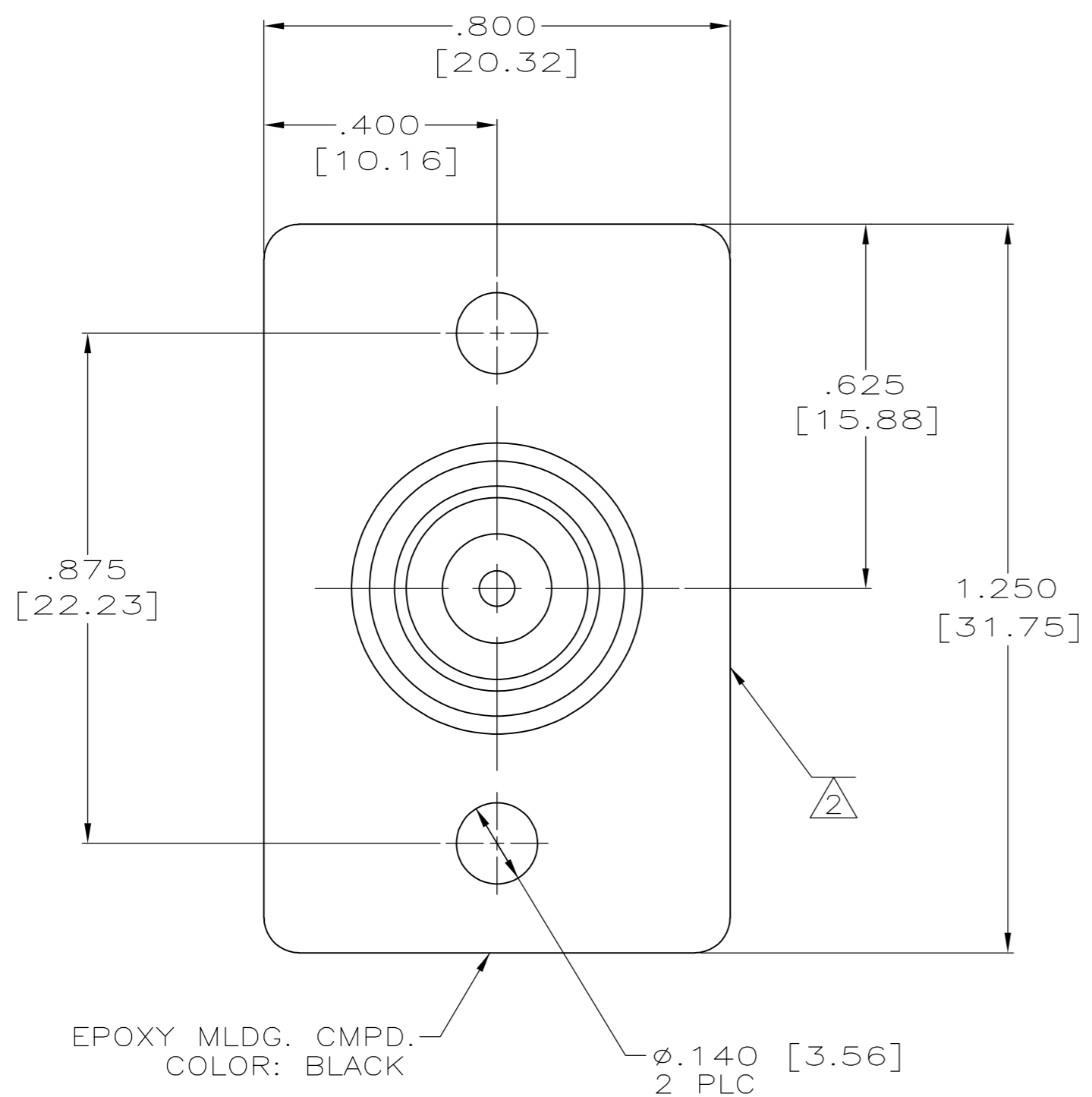
Tel: +86-755-8981 8866 Fax: +86-755-8427 6832

Email & Skype: [info@chipsmall.com](mailto:info@chipsmall.com) Web: [www.chipsmall.com](http://www.chipsmall.com)

Address: A1208, Overseas Decoration Building, #122 Zhenhua RD., Futian, Shenzhen, China

THIS DRAWING IS UNPUBLISHED. RELEASED FOR PUBLICATION - N/A .  
 © COPYRIGHT N/A BY TYCO ELECTRONICS CORPORATION. ALL INTERNATIONAL RIGHTS RESERVED.

LOC	DIST	REVISIONS					
DF	S0	P	LTR	DESCRIPTION	DATE	DWN	APVD
		B		REVISED PER ECO-09-010967	05JUN09	CT	DE



- ① CUSTOMER MUST PROTECT BACK END AGAINST ARC OVER & BREAKDOWN IF BULKHEAD & MOUNTING HARDWARE ARE METALLIC & AT GROUND POTENTIAL.
- ② MARKED PER MIL-STD-130.
- ③ THIS PART REQUIRES A MINIMUM AQL 0.65 TIGHTENED-LEVEL III INSPECTION PER MIL-STD 105E. INSPECTION SAMPLE IS TO BE SEPARATELY BAGGED OR IDENTIFIED. CERTIFICATE OF COMPLIANCE IS REQUIRED WITH DELIVERY OF PARTS.
- ④ PER FEDERAL STANDARD H-28, 3 WIRE METHOD. DIMENSION OVER WIRES TO BE .497-.510 [12.62-12.95].
- 5. RECEPTACLE TO MATE WITH ANY AMP LGH-1 LEAD ASSY.

③	RCPT ASSY (TIN-LEAD PLATED PIN)	1996751-1
REMARKS	DESCRIPTION	PART NO.

THIS DRAWING IS A CONTROLLED DOCUMENT.		DWN C.C.THOMAS 5-15-08	Tyco Electronics Corporation Harrisburg, Pa 17105-3608	
DIMENSIONS: INCHES		CHK D.EABY 5-15-08	NAME BULKHEAD RCPT ASSY LGH-1	
TOLERANCES UNLESS OTHERWISE SPECIFIED:		APVD D.EABY 5-15-08	PRODUCT SPEC	
0 PLC ± -		APPLICATION SPEC		
1 PLC ± -		WEIGHT -		
2 PLC ± .02[0.5]		SIZE A2 CAGE CODE 00779 C=1996751		
3 PLC ± .005[0.13]		DRAWING NO		
4 PLC ± -		RESTRICTED TO		
ANGLES ± -		SCALE 4:1 SHEET 1 of 1 REV B		
FINISH		CUSTOMER DRAWING		