



Chipsmall Limited consists of a professional team with an average of over 10 year of expertise in the distribution of electronic components. Based in Hongkong, we have already established firm and mutual-benefit business relationships with customers from,Europe,America and south Asia,supplying obsolete and hard-to-find components to meet their specific needs.

With the principle of “Quality Parts,Customers Priority,Honest Operation,and Considerate Service”,our business mainly focus on the distribution of electronic components. Line cards we deal with include Microchip,ALPS,ROHM,Xilinx,Pulse,ON,Everlight and Freescale. Main products comprise IC,Modules,Potentiometer,IC Socket,Relay,Connector.Our parts cover such applications as commercial,industrial, and automotives areas.

We are looking forward to setting up business relationship with you and hope to provide you with the best service and solution. Let us make a better world for our industry!



Contact us

Tel: +86-755-8981 8866 Fax: +86-755-8427 6832

Email & Skype: info@chipsmall.com Web: www.chipsmall.com

Address: A1208, Overseas Decoration Building, #122 Zhenhua RD., Futian, Shenzhen, China

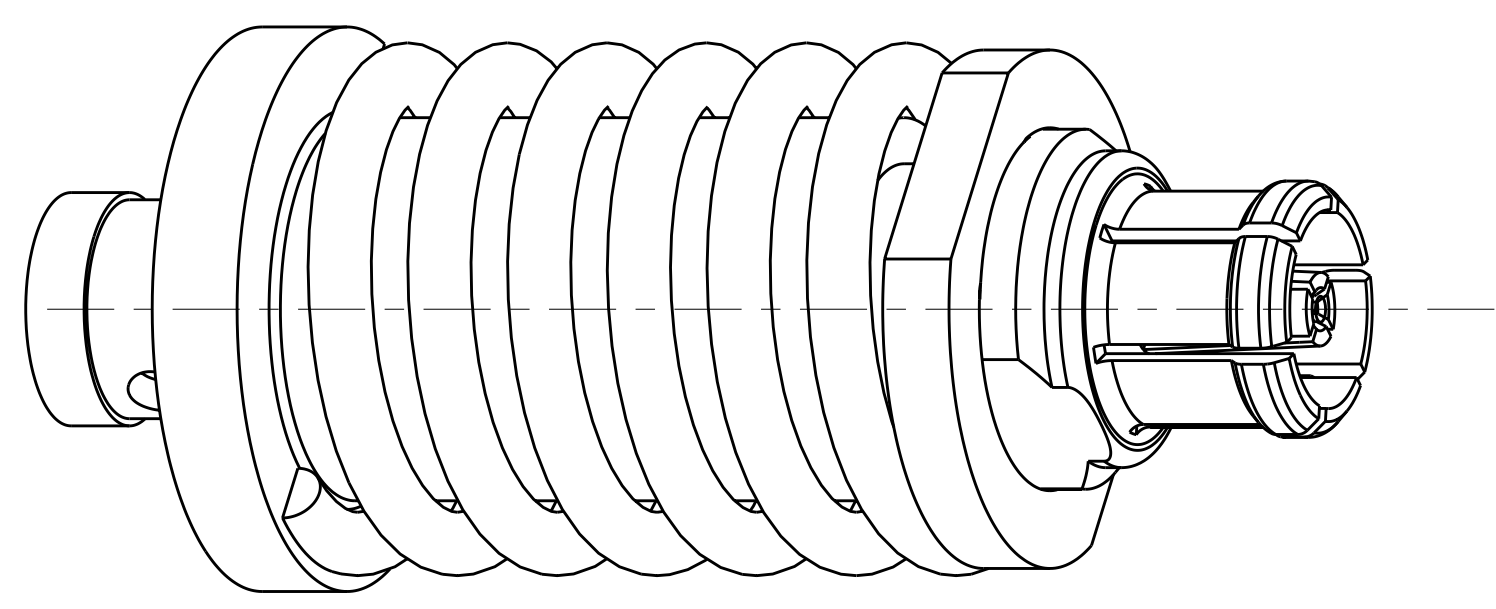


LOC	DIST	REV	DATE	BY	APPD
-	-	H	7-22-11	CT	WM

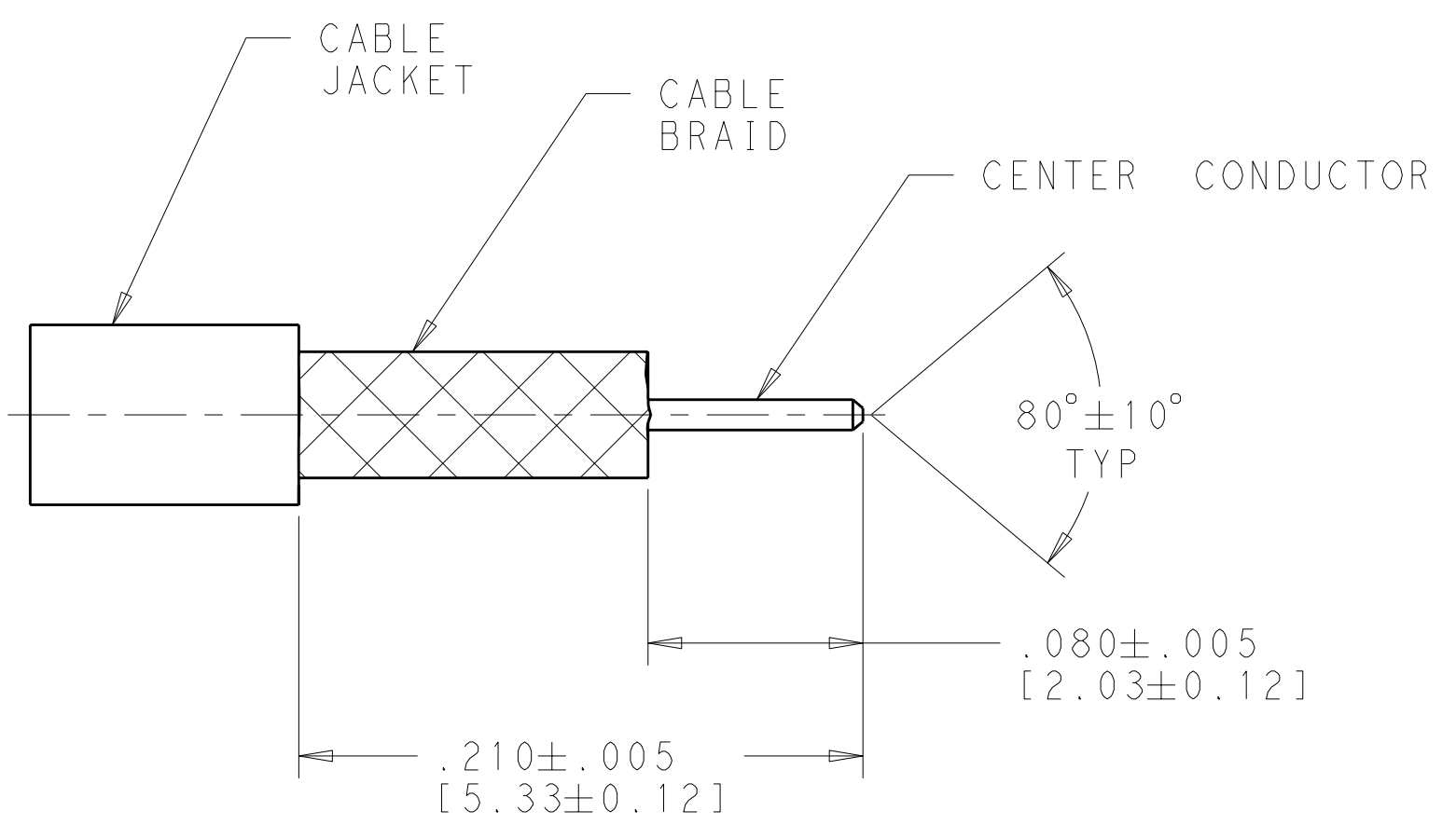
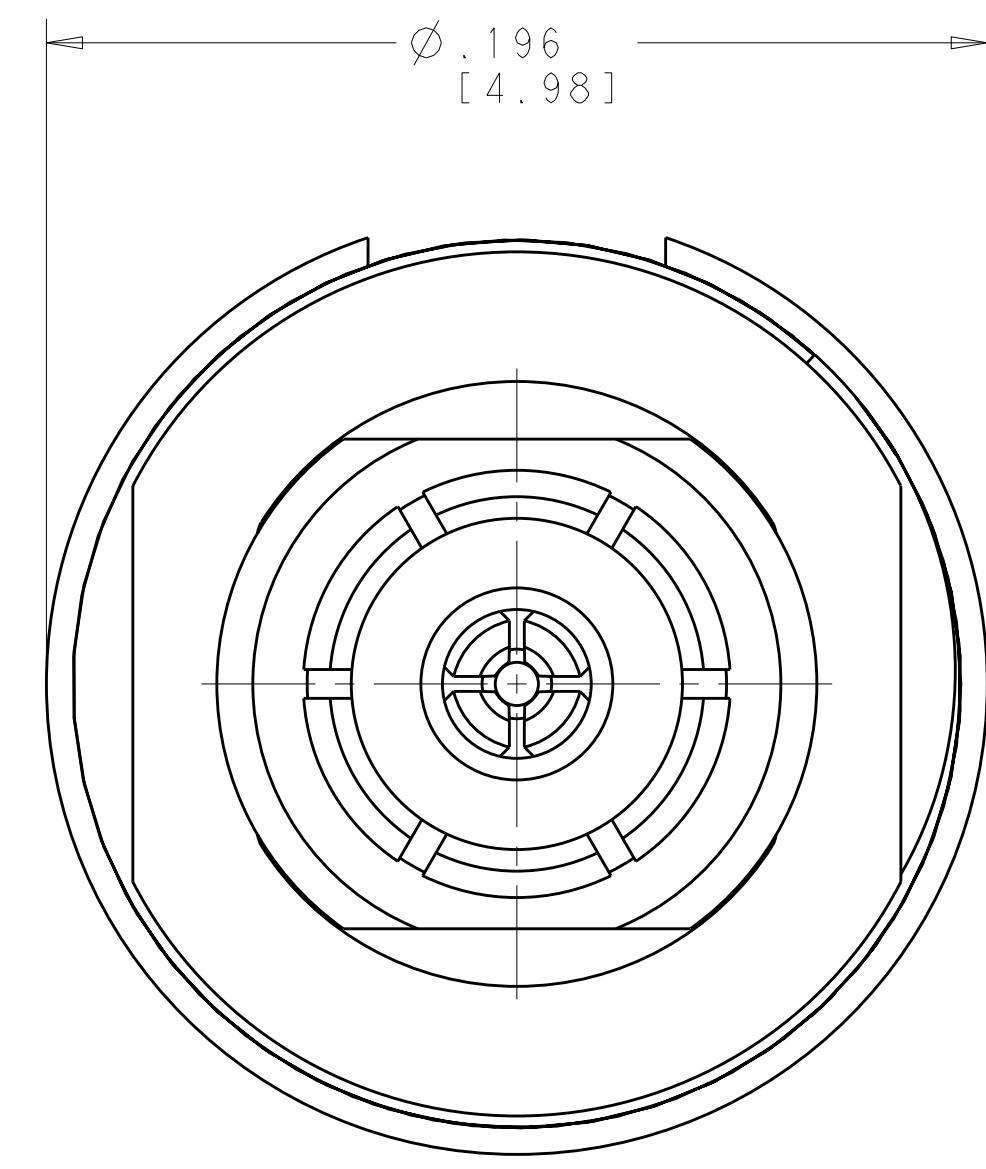
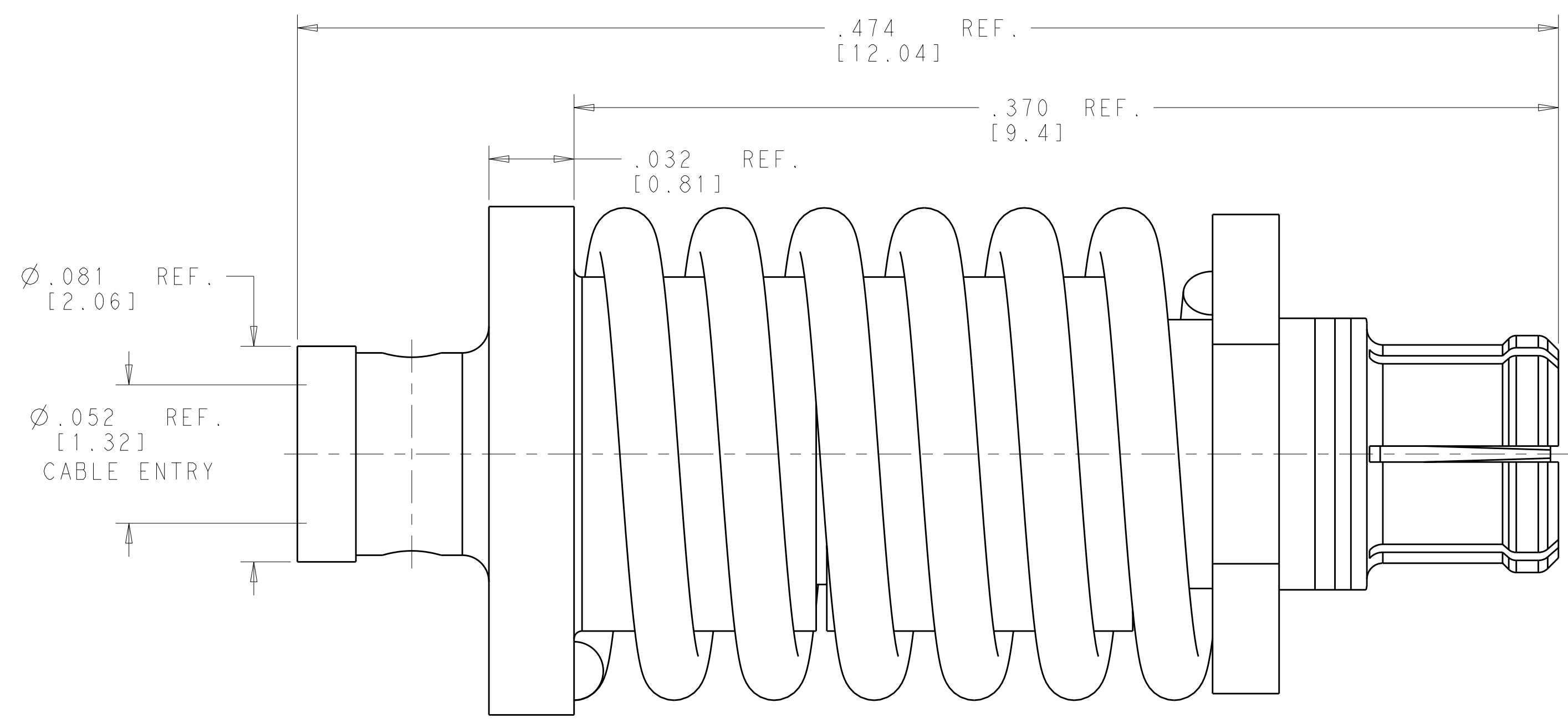
△ MATERIAL:
 BODY & CENTER CONTACT - BERYLIUM COPPER,
 ALLOY UNS C17300 CONDITION T04, PER ASTM B196
 INSULATOR - TEFLON (PTFE) ROD, PER ASTM D 1710
 RETAINING RING - STAINLESS STEEL, PER UNS S30200
 SPRING - MUSIC WIRE, PER ASTM A228

△ FINISH:
 BODY & CENTER CONTACT - GOLD PLATE, PER ASTM B488
 OVER NICKEL PLATE, PER SAE-ASM-QQ-N-290
 RETAINING RING - PASSIVATED
 SPRING - NICKEL PLATED, PER SAE-ASM-QQ-N-290

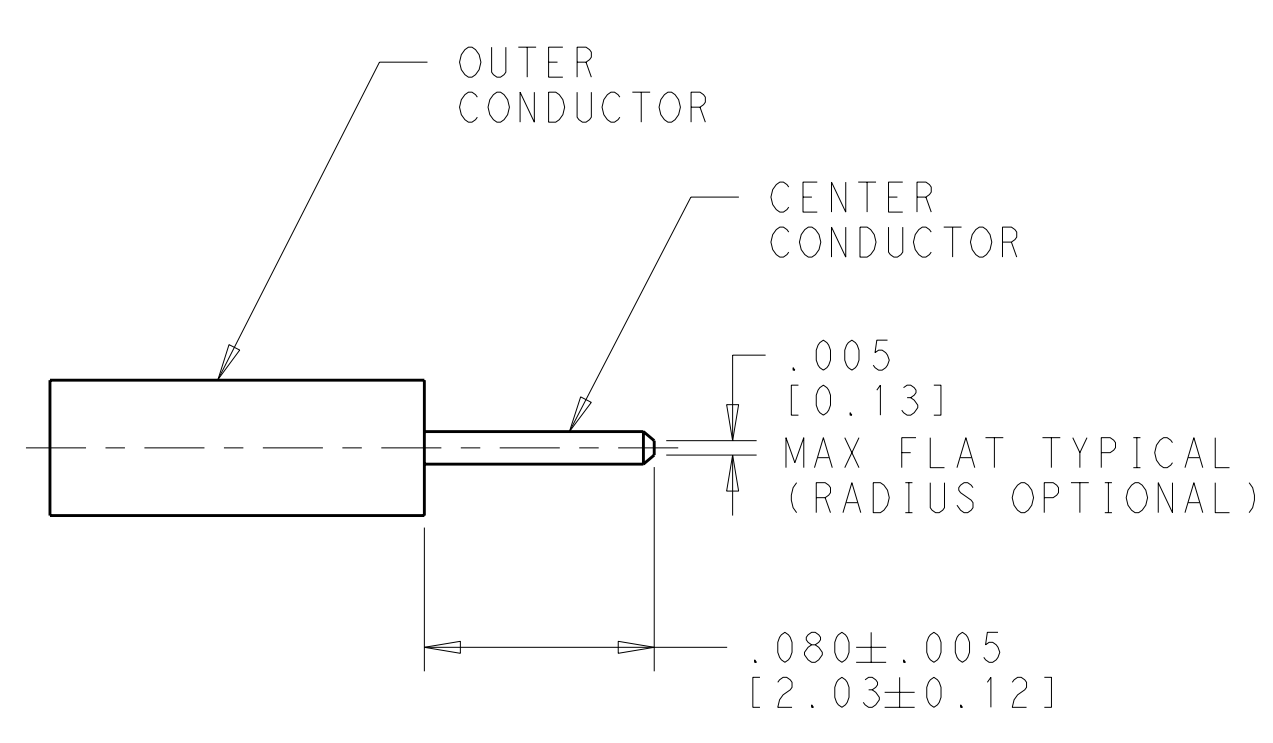
3. SPRING FORCE:
 PRELOAD = 2.35 ± .25 LBF
 FORCE AT .052 DEFLECTION = 3.60 ± .25 LBF
 MINIMUM FULL DEFLECTION = .078 [2.0]



SCALE 15:1



CABLE PREPARATION FOR Ø.047 FLEXIBLE CABLES



CABLE PREPARATION FOR Ø.047 SEMI-RIGID & CONFORMABLE CABLES

1996771-1
 PART NO.

THIS DRAWING IS A CONTROLLED DOCUMENT.		DWN S.T. Morley 20MAY2008	TE Connectivity
DIMENSIONS: INCHES[mm]		CHK S.T. Morley 20MAY2008	
9 PLC ± 8 PLC ± 5 PLC ±.005 [0.13] 4 PLC ± ANGLES ±1.0°		TOLERANCES UNLESS OTHERWISE SPECIFIED: 9 PLC ± 8 PLC ± 5 PLC ±.005 [0.13] 4 PLC ± ANGLES ±1.0°	NAME SMPM STRAIGHT CABLE JACK (F) FLOATING PANEL MOUNT - FOR USE WITH .047 DIA. AND SIMILAR CABLES PRODUCT SPEC APPLICATION SPEC SIZE CAGE CODE DRAWING NO. 408-10373 A100779C=1996771 WEIGHT CUSTOMER DRAWING
MATERIAL		FINISH	SCALE 25:1 SHEET 1 OF 1 REV H